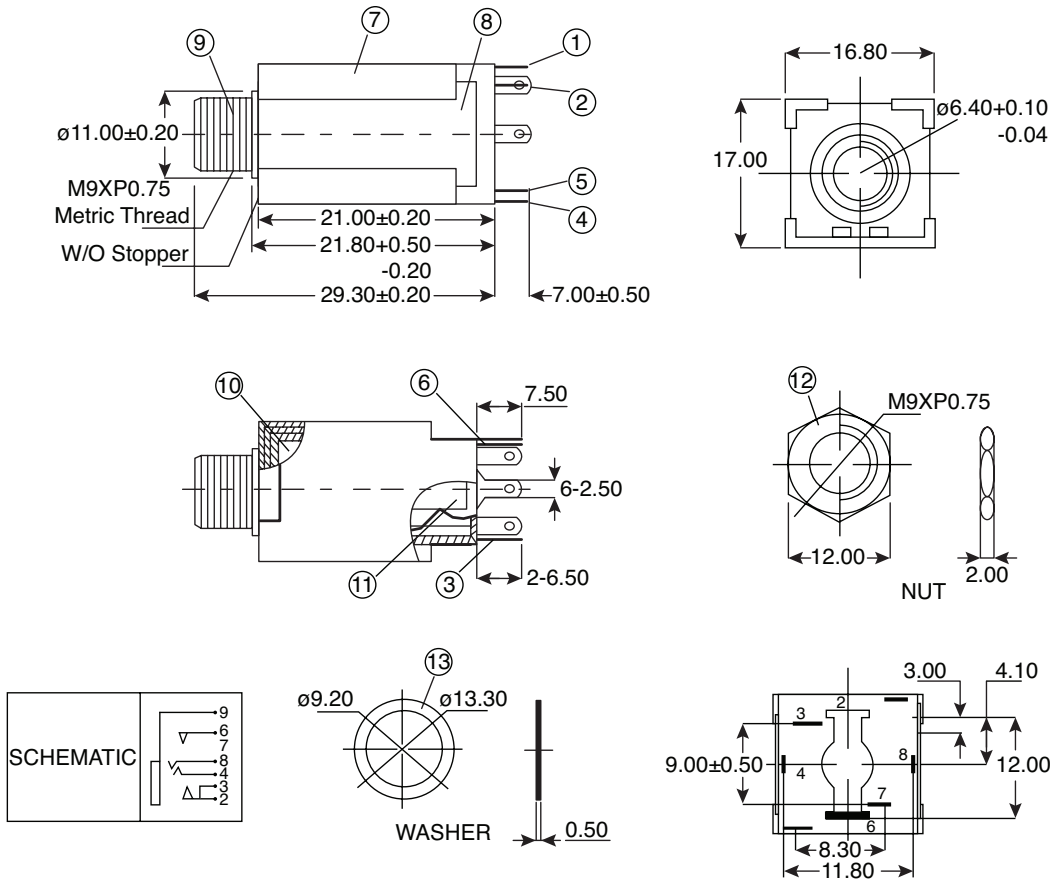


# 1/4" Phone Jack Stereo

161-610C3-E



1/4" Phone Jack Stereo



Dimensions: mm

No.	Description	Material	Qty.	Finish
1	Break Terminal	0.35T Phosphor Bronze	1	Silver Plated
2	Transfer Terminal	0.4T Brass	1	Silver Plated
3	Tip Spring	0.35T Phosphor Bronze	1	Silver Plated
4	Break Terminal	0.35T Phosphor Bronze	1	Silver Plated
5	Transfer Terminal	0.3T Brass	1	Silver Plated
6	Ring Spring	0.35T Phosphor Bronze	1	Silver Plated
7	Housing	POM	1	Black Color
8	Cover	0.5T Steel	1	Nickel Plated
9	Barrel (w/Thread)	Brass	1	Nickel Plated
10	Insulator	Red Vulcanited Fibre	1	Red Color
11	Insulator	POM	2	Ivory Color
12	Nut	2.0T Steel	1	Nickel Plated
13	Washer	0.5T Steel	1	Nickel Plated

## SPECIFICATIONS

<b>Contact Resistance:</b>	30mΩ max.
<b>Insulation Resistance:</b>	100MΩ min. at DC 500V
<b>Dielectric Withstanding Voltage:</b>	AC 500V for one minute
RoHS Compliant	

Date Last Revised: 01-16-12

Available from Mouser Electronics  
1-800-346-6873 / [www.mouser.com](http://www.mouser.com)

KC-301402

161-610C3-E