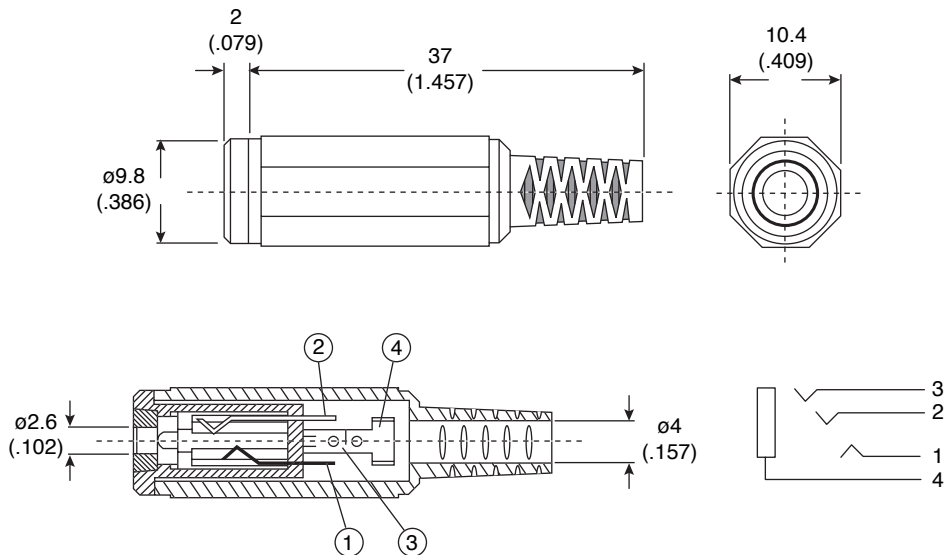


4 Conductor Sub-Miniature Jack

161-6425-EX



4 Conductor Sub-Miniature Jack



DIMENSIONS: mm (In.)

SPECIFICATIONS	
Dielectric strength:	500V AC for one minute
Contact resistance:	50mΩ max.
Insulation resistance:	100MΩ min. at 500V DC
Cap:	PE
Body:	PA
Contacts:	nickel plated brass
RoHS Compliant by Exemption	

Date Last Revised: 12-8-05

Available from Mouser Electronics
 1-800-346-6873
 www.mouser.com

KC-300957

161-6425-EX