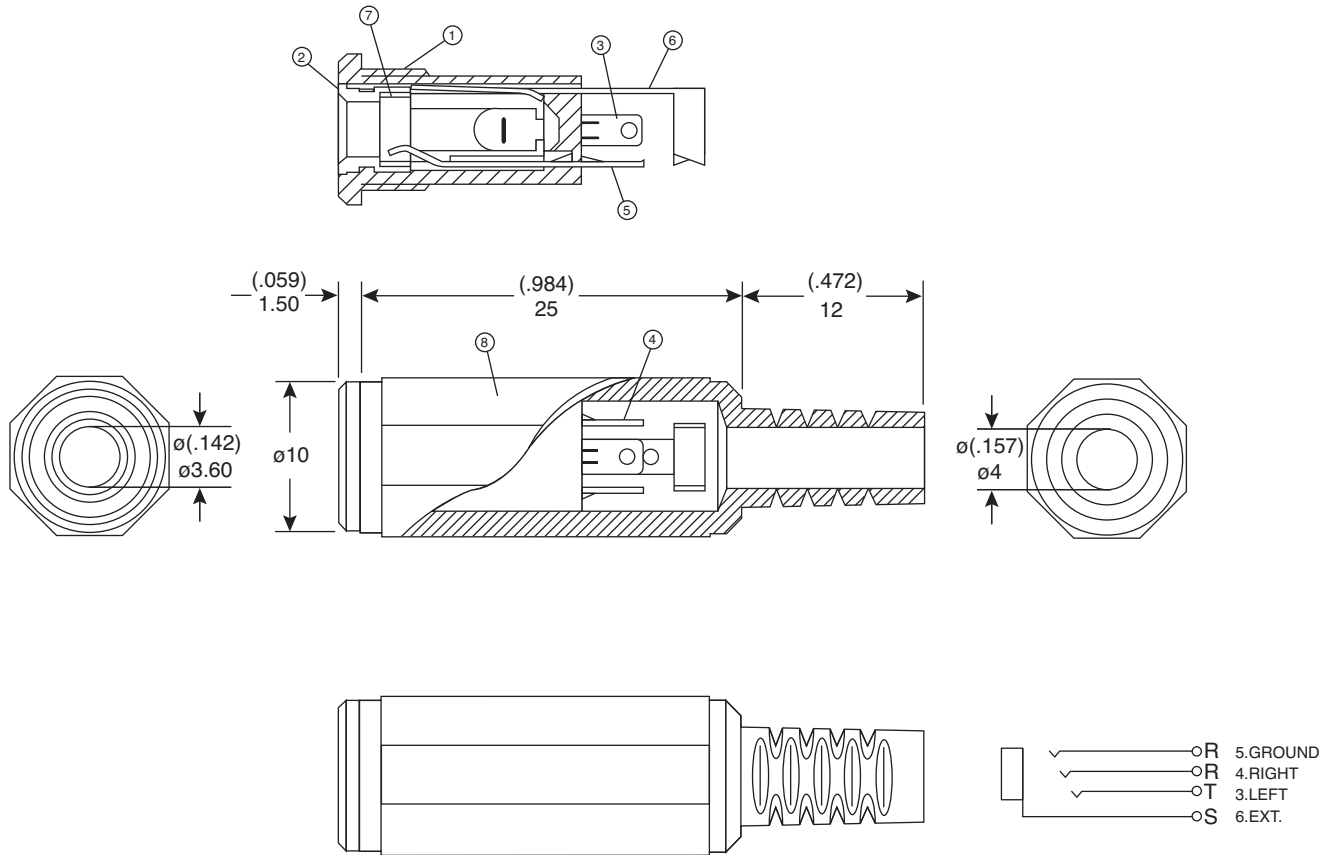


# 3.5mm 4 Cond In-Line Jack

161-6435-EX



3.5mm 4 Cond In-Line Jack



**DIMENSIONS: mm (in.)**

ELECTRICAL SPECIFICATIONS	
<b>Dielectric Strength:</b>	500V AC for one minute.
<b>Contact Resistance:</b>	50m Ohm Max.
<b>Insulation Resistance:</b>	100M Ohm Min. at 500V DC.

MATERIAL SPECIFICATIONS				
LET	Part Name	Material	Qty.	Finish
1	Housing	PA	1	
2	Sleeve	BSBM	1	Ni
3	Contact 1	FAB-EH t=0.25	1	Ni
4	Contact 2	FAB-EH t=0.25	1	Au
5	Contact 3	FAB-EH t=0.25	1	Ni
6	Contact 4	BSR t=0.3	1	Ni
7	Insulation Tube	PVC	1	
8	Handle	PE	1	
<b>Mating plug:</b>		171-7435-EX		
RoHS Compliant by Exemption				

161-6435-EX

Date Last Revised: 11-22-10

**Available from Mouser Electronics**  
**1-800-346-6873**  
**www.mouser.com**

KC-300960