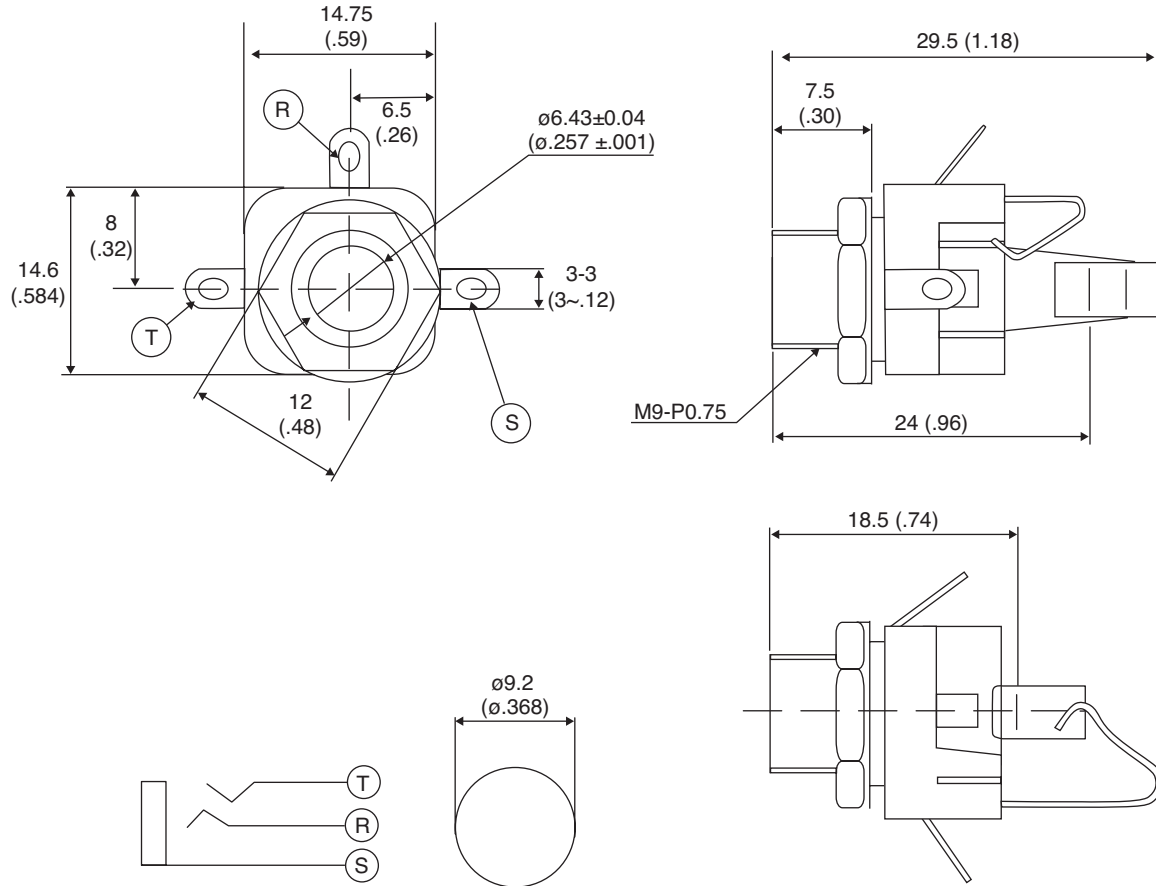


1/4" Stereo Phone

161-MJ161M-EX

KOBICONN

1/4" Stereo Phone Jack



Dimensions: mm (in.)

Electrical Specifications

Contact Resistance:	30 Milliohm Max.
Insulation Resistance:	100VDC 50M Ω Min.
Dielectric Strength:	250VAC 1 Minute

Material Specifications

Part Name	Material	Finish
Washer:	Steel	Nickel
Nut:	Steel	Nickel
Spring:	BSR-H t=0.5	Nickel
Spring	FAB-EH t=0.5	
Terminal:	BSR t=0.4	Nickel
Insulator:	PC	
Sleeve	BSBM	Nickel

RoHS Compliant by Exemption

Date Last Revised: 3-7-07

Available from Mouser Electronics
1-800-346-6873 / www.mouser.com

KC-301114

161-MJ161M-EX