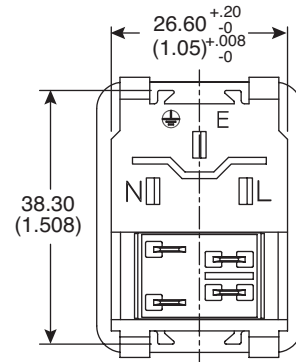
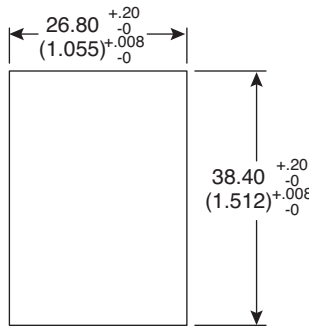
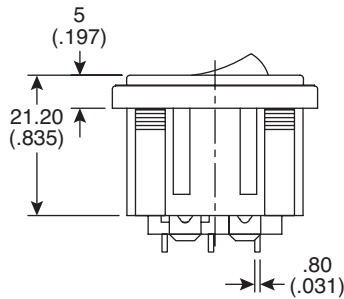
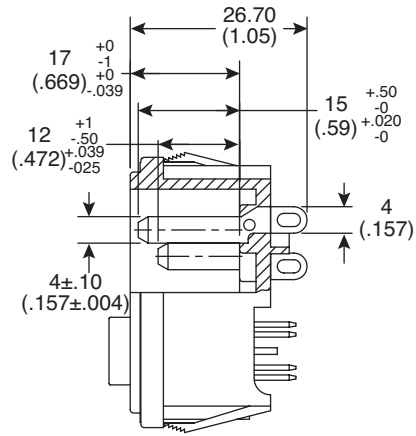
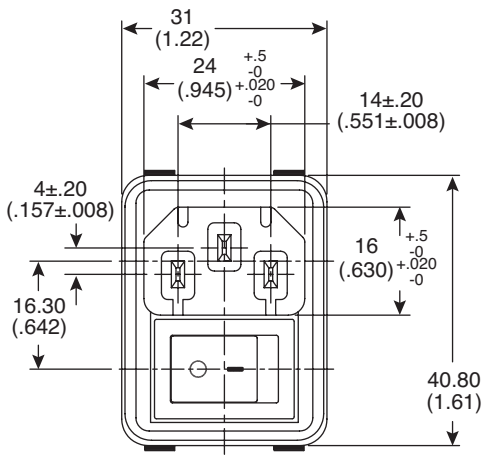


Inlet with Switch

161-R30161-E

KOBICONN

Inlet with Switch



Dimensions: mm (in.)

SPECIFICATIONS	
Insulation Resistance:	Over 100MΩ at 500V DC
Dielectric Strength:	2000V AC 1 minute
Body Material:	Thermoplastic
RoHS Compliant	

Date Last Revised: 6-29-12

Available from Mouser Electronics
1-800-346-6873 / www.mouser.com

KC-301224

161-R30161-E