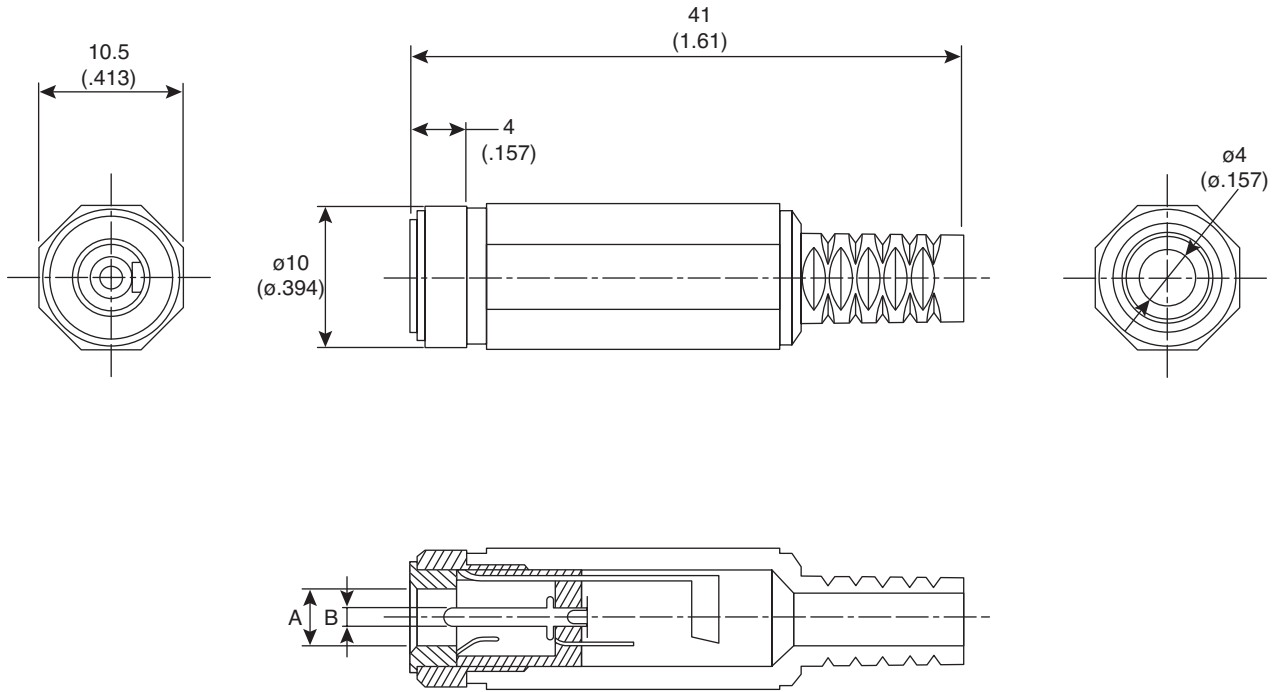


# DC Power Jack

163-0309-EX, 163-0308-EX



DC Power Jack



**DIMENSIONS: mm (in.)**

| Mouser Stock No. | A          | B          |
|------------------|------------|------------|
| 163-0308-EX      | $\phi 4$   | $\phi 1.3$ |
| 163-0309-EX      | $\phi 3.6$ | $\phi 1.3$ |

| SPECIFICATIONS                     |                             |
|------------------------------------|-----------------------------|
| <b>Rating:</b>                     | 12VDC .5A                   |
| <b>Breakdown Voltage:</b>          | 500VAC for 1 minute         |
| <b>Insulation Resistance:</b>      | 100M $\Omega$ min. @ 500VDC |
| <b>Contact:</b>                    | Nickel Plated Copper        |
| <b>Terminals:</b>                  | Nickel Plated Brass         |
| <b>Body:</b>                       | PA                          |
| <b>RoHS Compliant by Exemption</b> |                             |

163-0309-EX, 163-0308-EX

Date Last Revised: 02-28-08

Available from Mouser Electronics  
1-800-346-6873 / [www.mouser.com](http://www.mouser.com)

KC-300841

Specifications are subject to change without notice. No liability or warranty implied by this information. Environmental compliance based on producer documentation.