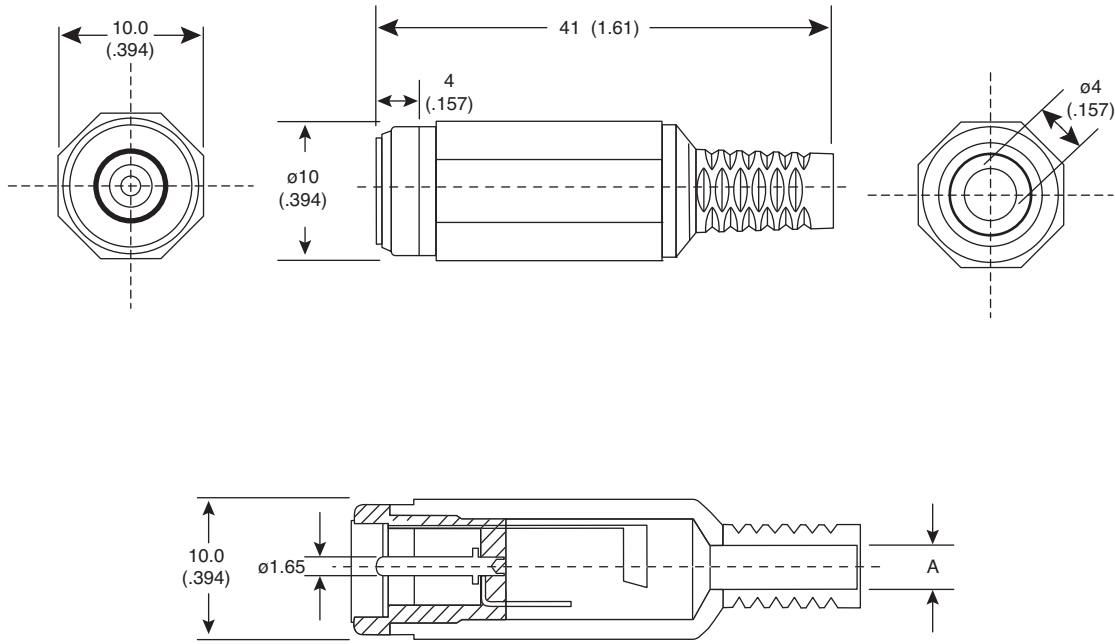


In-Line DC Power Jack

163-0310-EX, 163-0311-EX



In-Line DC Power Jack



DIMENSIONS: mm (in.)

SPECIFICATIONS	
Rating:	163-0310-EX= 10.5VDC 2A 163-0311-EX= 6.3VDC 2A
Breakdown Voltage:	500VAC for 1 minute
Insulation Resistance:	100MΩ min. @ 500VDC
Contact Terminal:	Nickel Plated Brass
Body:	PA
RoHS Compliant by Exemption	

Mouser Stock No.	Dimension A
163-0310-EX	ø5.0mm
163-0311-EX	ø4.0mm

Date Last Revised: 10-20-08

Available from Mouser Electronics
1-800-346-6873
www.mouser.com

KC-300839

163-0310-EX, 163-0311-EX