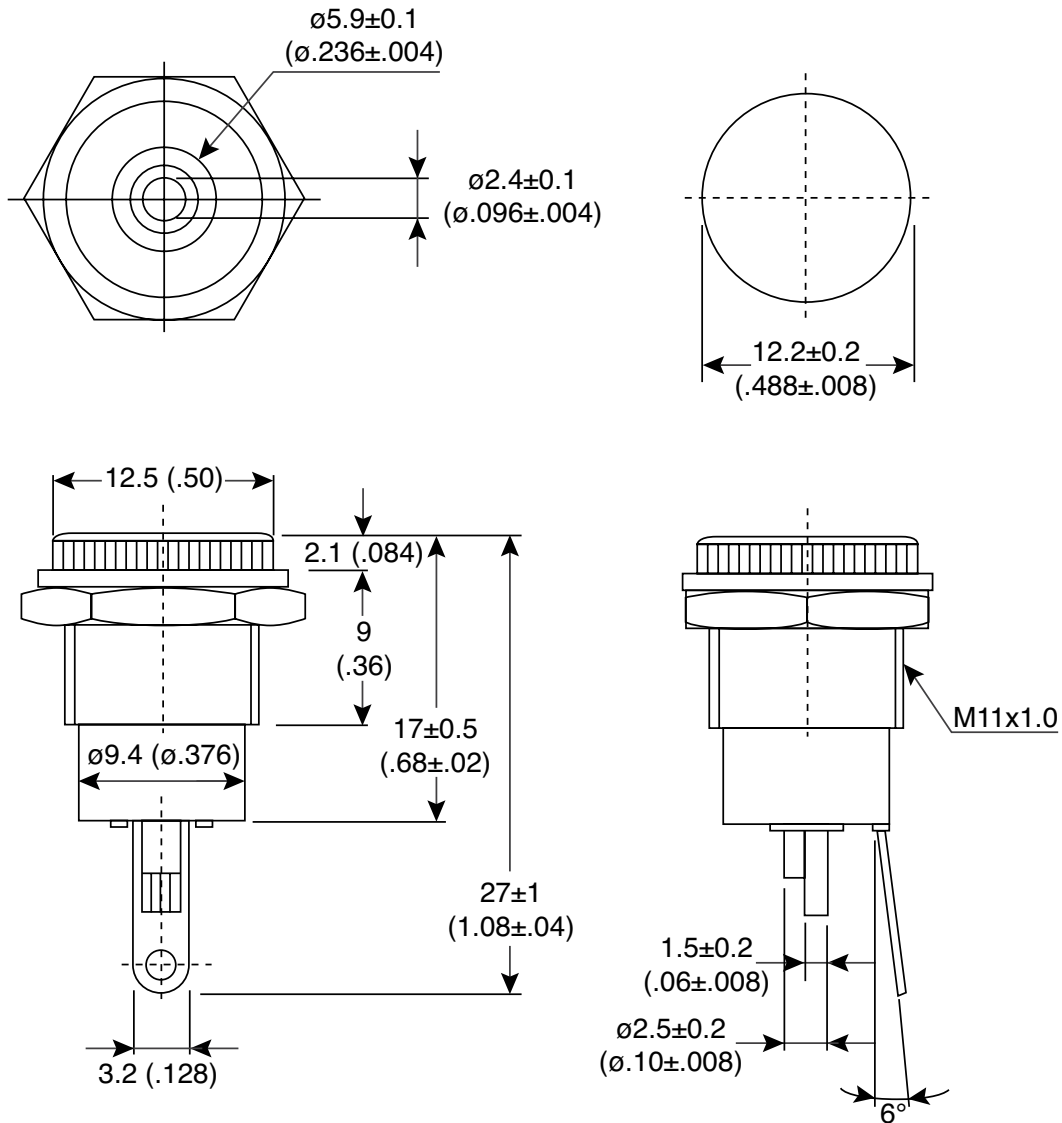


DIMENSIONS: mm (in.)



Specifications:

- Rating: 3A/125VAC/24VDC
- Insulation R: DC 500V 100M Ω min.
- Dielectric Strength: AC 1000V 1 minute
- Operation Temperature: -20°C ~ +80°C

Note: RoHS Compliant by Exemption

Available from Mouser Electronics
1-800-346-6873 / www.mouser.com

KC-301038