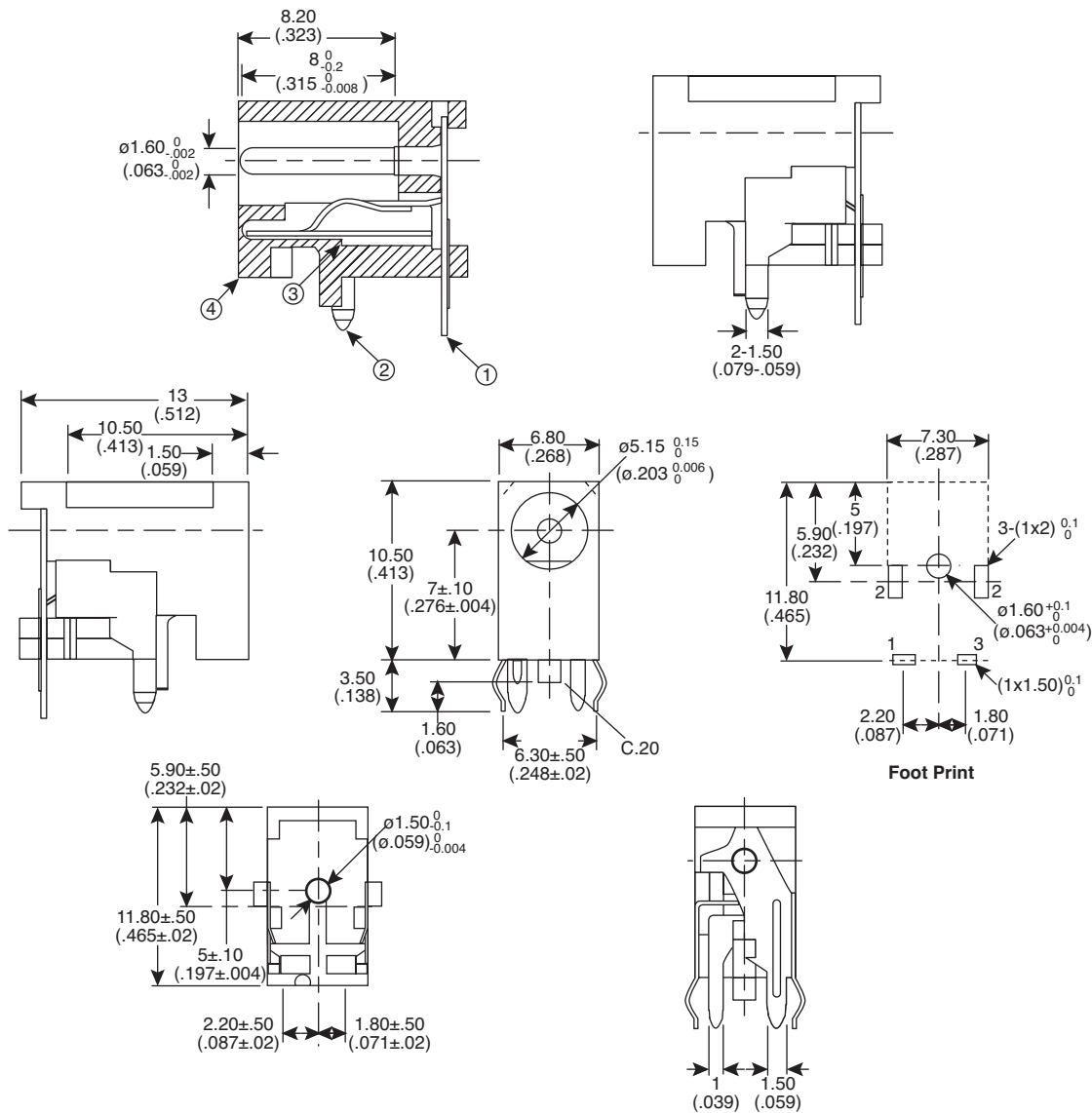


DC Power Jack

163-4119-E

KOBI CONN

DC Power Jack



Dimensions: mm (In.)

ELECTRICAL SPECIFICATIONS

Rating:	10.5 VDC 2A
Dielectric Strength:	500 VAC for one min.
Contact resistance:	30m Ω max.
Insulation Resistance:	100M Ω min. @ 500 VDC
RoHS Compliant	

MATERIAL SPECIFICATIONS

No.	Name	Qty.	Material	Finish
1	Contact C	1	C2680A	Sn.Pb t0.3
2	Contact B	1	C2680A	Ag. t0.3
3	Contact A	1	TiCuA	Ag t0.3
4	Body	1	PBT	---

Date Last Revised: 12-22-05

Available from Mouser Electronics
1-800-346-6873
www.mouser.com

KC-300948

163-4119-E