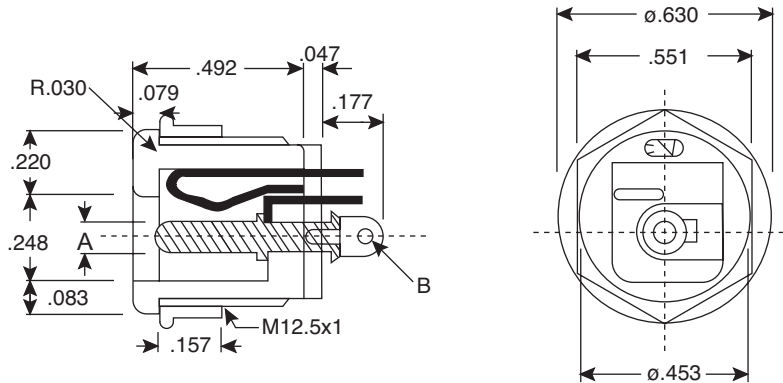
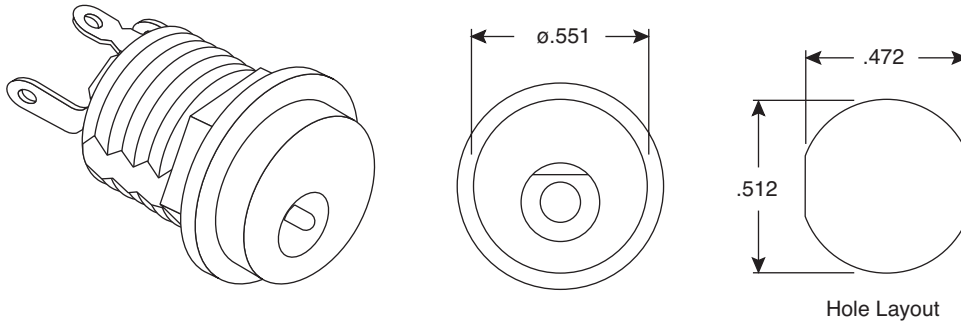


DC Power Jacks

163-4302A-E



DC Power Jacks



DIMENSIONS: In.

SPECIFICATIONS	
Pin Size A:	ø1.95 +/- .03mm
Contact Resistance:	30mΩ max.
Insulation Resistance:	100MΩ min. @ 500VDC
Breakdown Voltage:	500VAC for 1 minute
Rated Current:	0.5A @ 12V
Body:	ABS
Pin:	Nickel Plated Brass
Contact Spring:	Silver Plated Copper/Zinc/Aluminum Alloy
Terminals:	Silver Plated Brass Wire
Insulator:	PBT G30%
Nut:	Polymid 12.5mm P=1
B:	ø.22 x .084
RoHS Compliant	

Date Last Revised: 7-6-23

Available from Mouser Electronics
1-800-346-6873 / www.mouser.com

KC-301339

163-4302A-E

Mouser Electronics

Authorized Distributor

Click to View Pricing, Inventory, Delivery & Lifecycle Information:

[Kobiconn:](#)

[163-4302A-E](#)