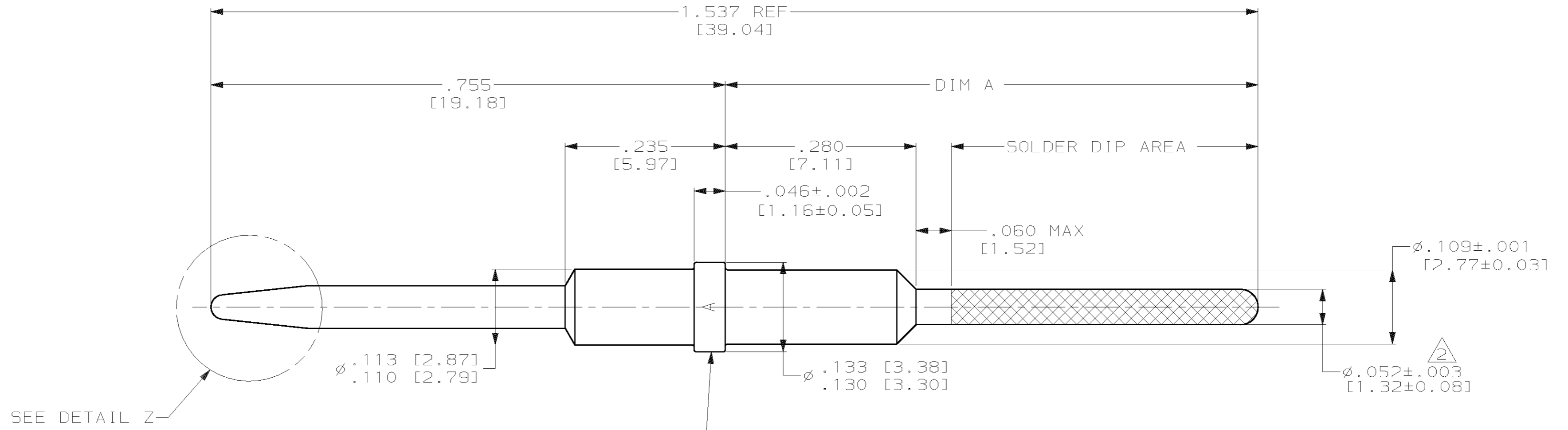


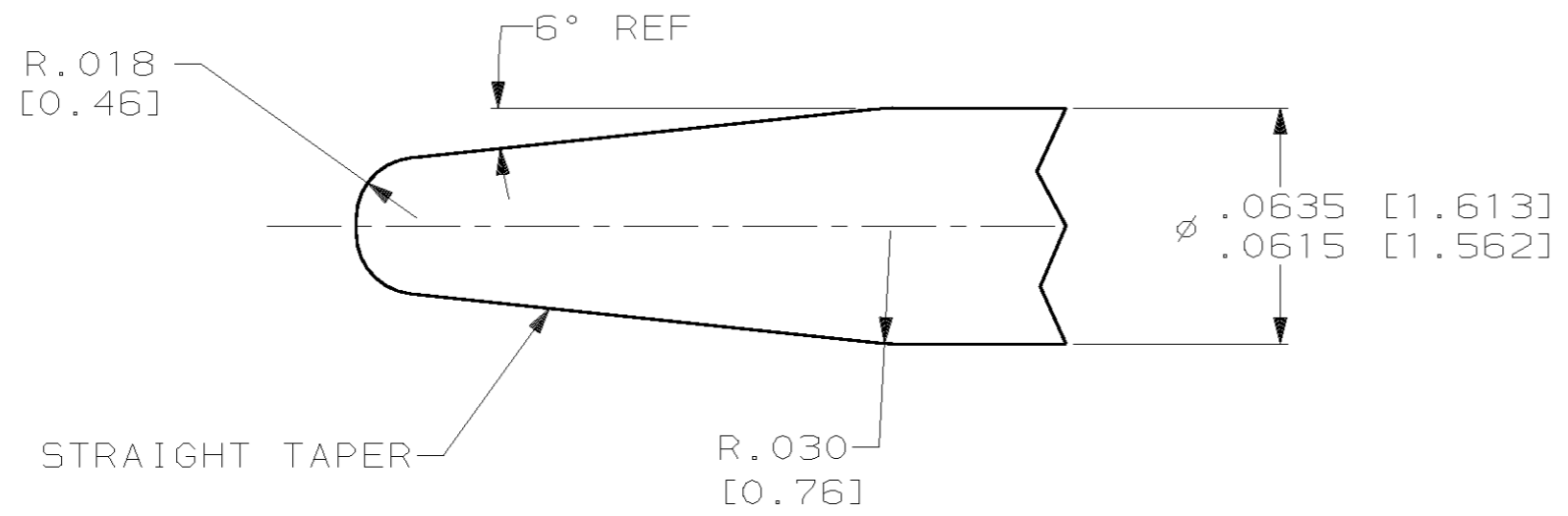
THIS DRAWING IS UNPUBLISHED. RELEASED FOR PUBLICATION
 BY AMP INCORPORATED, ALL RIGHTS RESERVED.

LOC		DIST		REVISIONS			
P	LTR	DESCRIPTION	DATE	DWN	APVD		
B		REV PER 063D-0517-03	9-11-03	JMK	SG		

- 1. FOR USE IN ARINC 600 REAR RELEASE INSERT.
- 2. DIMENSIONS APPLY BEFORE SOLDER DIP.



MAT'L: LEADED COPPER PER ASTM-B-301
 FINISH: PLATED GOLD .000050 [0.0012] MIN THK
 PER ASTM-B-488 OVER NICKEL .000050 [0.0012]
 MIN THK. PER QQ-N-290



.522 [13.26]	NO	1-1663128-0
.652 [16.56]	NO	1663128-8
.635 [16.13]	YES	1663128-6
.635 [16.13]	NO	1663128-5
.782 [19.86]	YES	1663128-3
.782 [19.86]	NO	1663128-2
DIM A	SOLDER DIP	PART NUMBER

THIS DRAWING IS A CONTROLLED DOCUMENT.		DWN	C.C. THOMAS	11-19-02	 TYCO Electronics Harrisburg, PA 17105-3608	
DIMENSIONS: INCHES [mm]		CHK	S. GLATFELTER	11-19-02		
TOLENCES UNLESS OTHERWISE SPECIFIED:		APVD	S. GLATFELTER	11-19-02		
0 PLC ±- 1 PLC ±- 2 PLC ±- 3 PLC ±.005 [0.13] 4 PLC ±- ANGLES ±-		NAME		S. GLATFELTER		
MATERIAL: SEE CALLOUT		FINISH: SEE CALLOUT		PRODUCT SPEC	PIN CONTACT, POSTED, SIZE 16, REAR RELEASE, ARINC 600	
CUSTOMER DRAWING		WEIGHT	-		SIZE	A2
		SCALE		8:1	CAGE CODE	00779
		SHEET		1 OF 1	DRAWING NO	1663128
		REV		B	RESTRICTED TO	