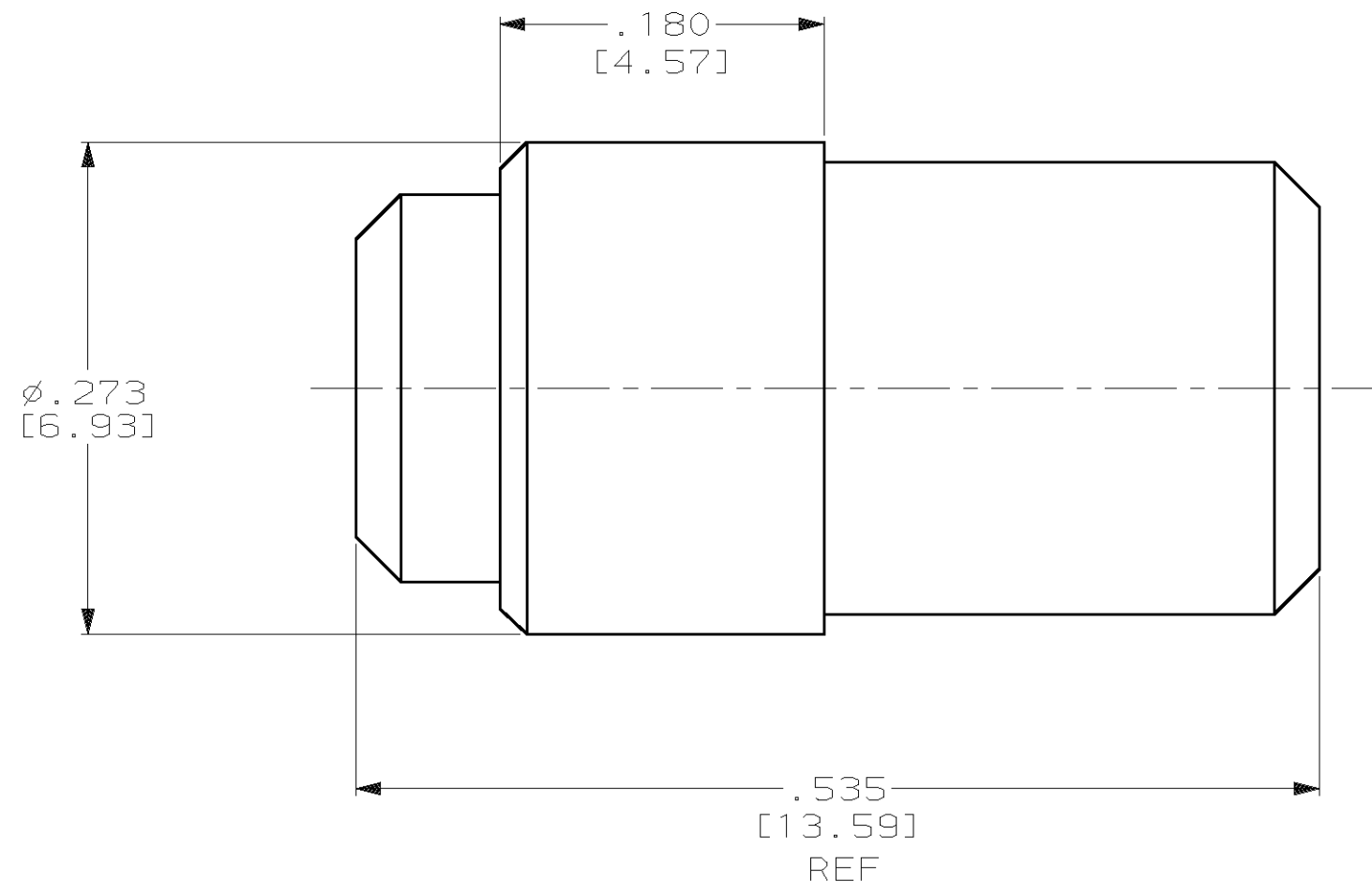


THIS DRAWING IS UNPUBLISHED. RELEASED FOR PUBLICATION ,19 .
 © COPYRIGHT 19 BY AMP INCORPORATED. ALL RIGHTS RESERVED.

LOC		DIST		REVISIONS			
P	LTR	DESCRIPTION		DATE	DWN	APVD	
	0	RELEASED		11-02	CT	SG	



1. FOR USE IN ARINC 600 OR ARINC 404 REAR RELEASE SIZE 5 PIN CONTACT CAVITY.

1663132-1
PART NO.

THIS DRAWING IS A CONTROLLED DOCUMENT.		DWN C.C. THOMAS 11-19-02	tyco TYCO Electronics Harrisburg, PA 17105-3608	
DIMENSIONS: INCHES [mm]		CHK S. GLATFELTER 11-19-02	APVD S. GLATFELTER 11-19-02	
TOLERANCES UNLESS OTHERWISE SPECIFIED: 0 PLC ±- 1 PLC ±- 2 PLC ±- 3 PLC ±.005 [0.13] 4 PLC ±- ANGLES ±-		PRODUCT SPEC -	NAME FILLER PLUG, SIZE 5, ARINC 600	
MATERIAL TEFLON PER ASTM-D-1457		FINISH -	APPLIC. SPEC -	RESTRICTED TO -
		WEIGHT -	SIZE A3	CAGE CODE 00779
		DRAWING NO C- 1663132		SCALE 10:1
		CUSTOMER DRAWING		SHEET 1 OF 1
				REV 0