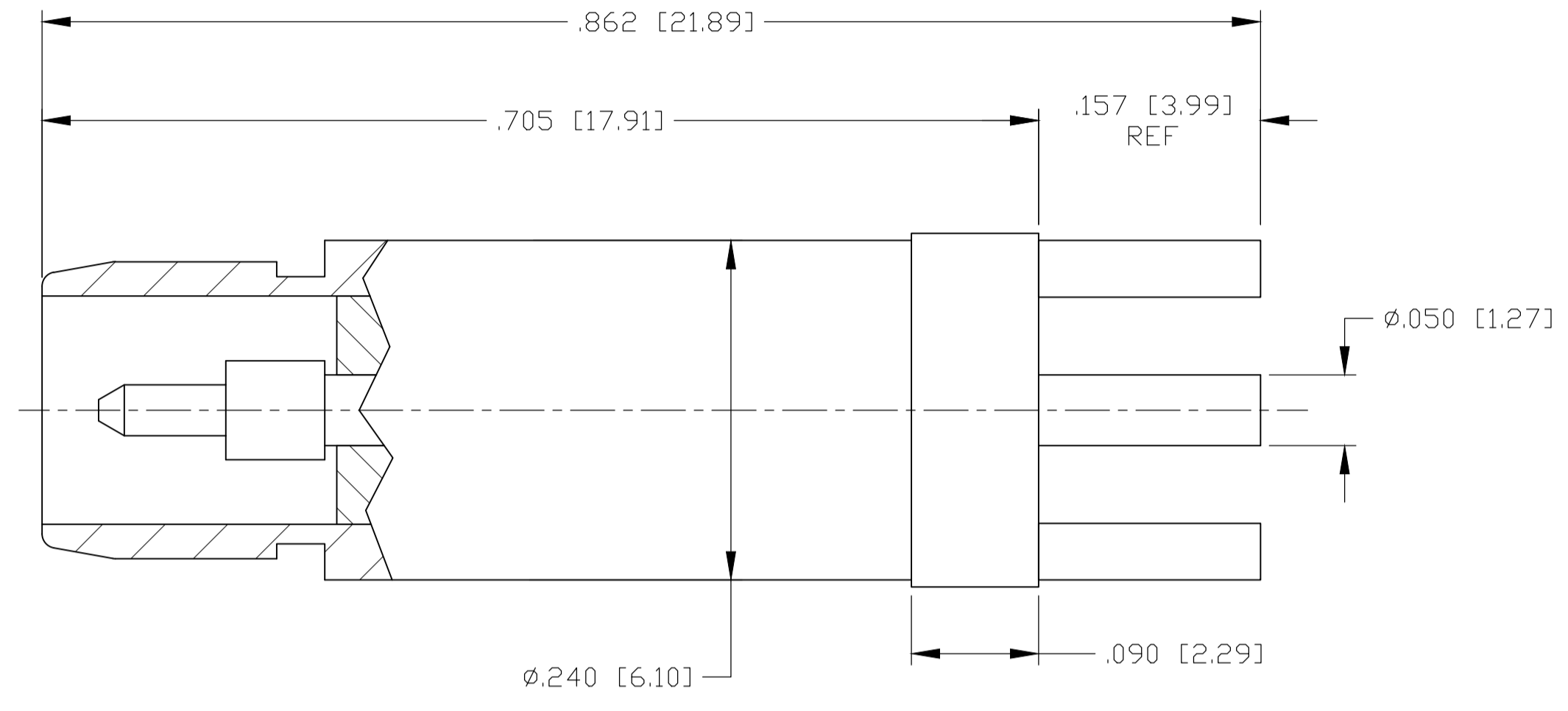
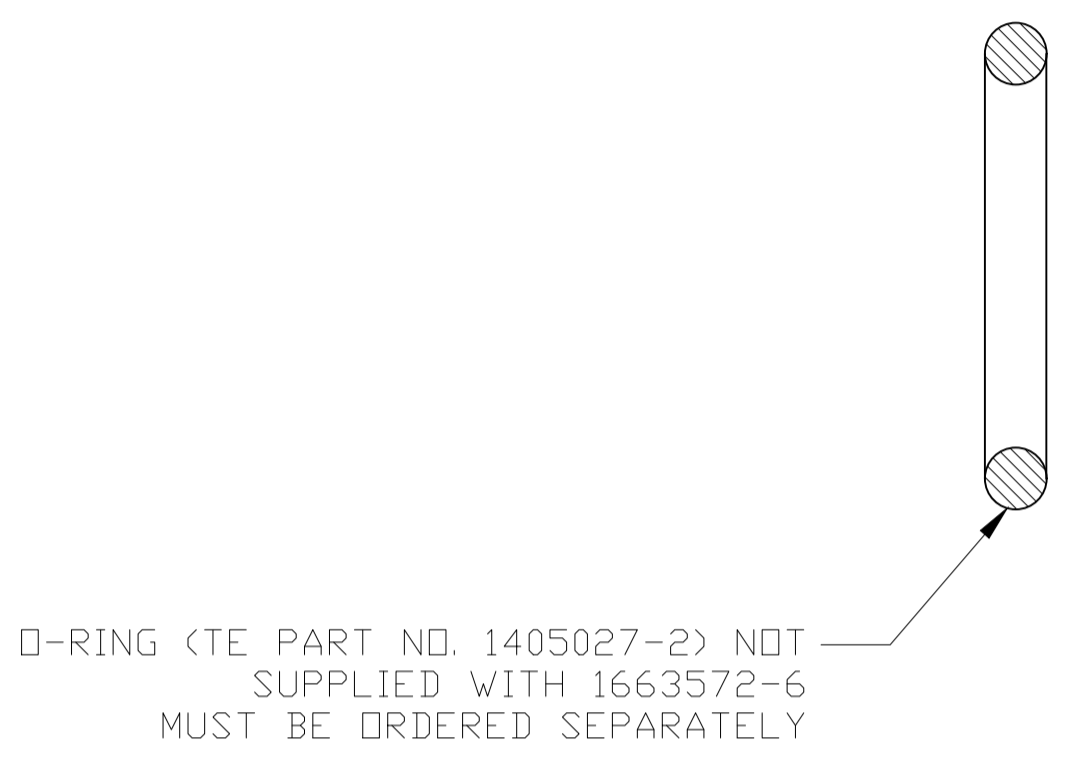
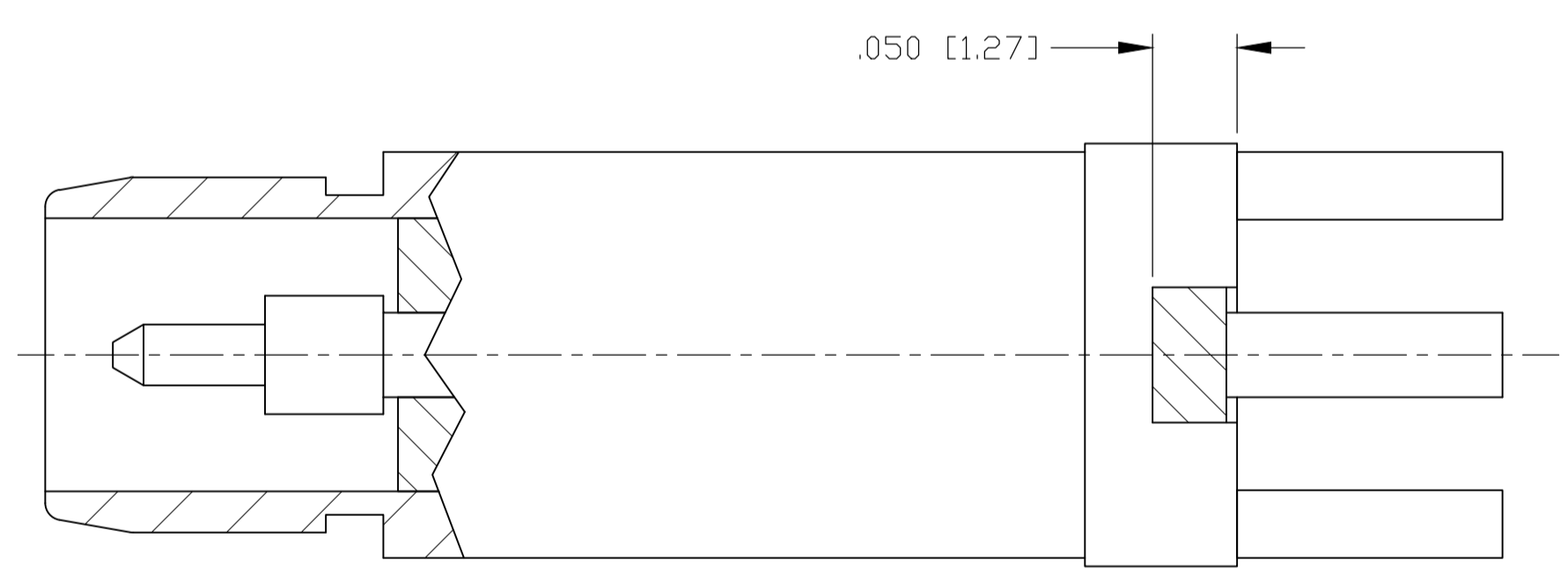
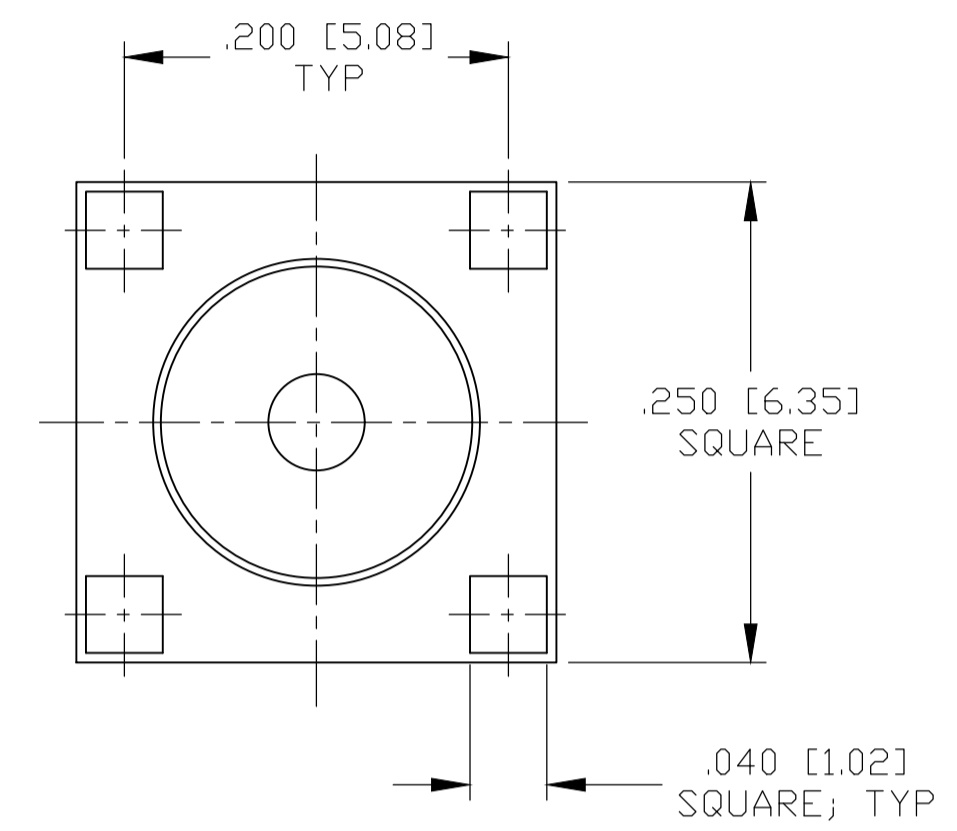


REVISIONS				
P	LTR	DESCRIPTION	DATE	APP'D
J		REV PER ECO 20-001324	4-16-20	CT PR

COMPONENT	MATERIAL	FINISH
O-RING	FLUOROSILICONE PER MIL-R-25988	N/A
HOUSING	STAINLESS STEEL PER ASTM-A582, TYPE 303	.000035-.000065 GOLD PL PER MIL-G-45204 OVER .000145-.000275 NICKEL PL PER AMS-QQ-N-290
DIELECTRIC	TFE FLUOROCARBON PER ASTM-D-1710 NA	N/A
CENTER CONTACT CONTACT EXT.	BRASS PER ASTM B 16	.000050-.000100 GOLD PL PER MIL-G-45204 OVER .000050-.000120 NICKEL PL PER AMS-QQ-N-290 OVER .000010 MIN COPPER PL PER AMS-2418

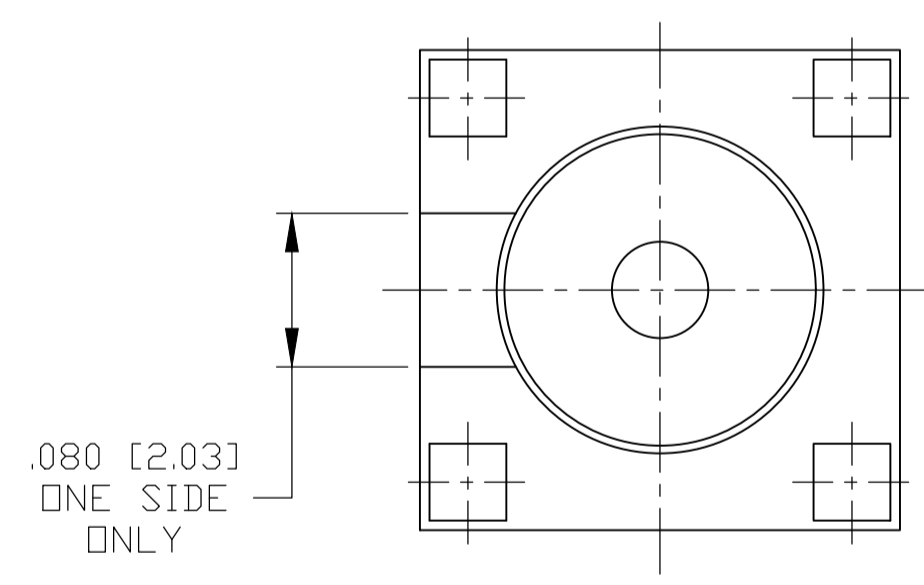


VIEW A



VIEW B

SAME AS VIEW A EXCEPT .050 [1.27] X .080 [2.03] CUTOUT (ONE SIDE ONLY)



1. O-RING SHIPPED UNASSEMBLED.

ELECTRICAL	MECHANICAL	ENVIRONMENTAL
Nominal Impedance (Ohms) 50	Interface Dimensions per DESC spec 85701	TEMPERATURE RATING -65°C TO +125°C
Frequency Range (GHz) DC-18	Recommended Mating Torque N/A	Vibration - MIL-STD-202, Method 204, Condition D
Volt Rating (VRMS MAX) 500 @ Sea level	Mating Characteristics:	Shock - MIL-STD-202, Method 213, Condition I
VSWR N/A	Insertion (MAX Lbs) N/A	Thermal shock MIL-STD-202, Method 107 Test Condition B
Insertion Loss (dB MAX) N/A	Withdrawal (MIN Dz) N/A	EXCEPT HIGH TEMP 115°C
RF Leakage (dB MIN) <-90-F(GHz)>	Connector Engagement and Disengagement (In/Lbs MAX) N/A	Moisture Resistance - MIL-STD-202, Method 106
(Interface only, fully mated)	Center Contact Captivation	Corrosion - MIL-STD-202, Method 101, Condition B, 5% salt spray
Corona, 70,000 Ft (VRMS MIN) 335	Axial 6 Lbs	
Dielectric Withstanding Voltage (VRMS MIN) 1000	Radial None	
Contact Resistance (Milliohms MAX) Center Contact 2.0	Cable Retention	
Outer Contact 2.0	Axial Force N/A	
RF High Potential (VRMS MIN @ 5 MHz) 1000	Torque N/A	
I.R.(Megohms) 5000 MIN	Weight (Grams)	

REMARKS	PART NO.
SEE VIEW A	1663572-6
SEE VIEW B	1663572-2
SEE VIEW A	1663572-1

THIS DRAWING IS A CONTROLLED DOCUMENT.		DIN C.C.THOMAS 8-5-03	TE Connectivity	
DIMENSIONS: INCHES [mm]		CHK R.GROSS 8-5-03	NAME OSP STRAIGHT PCB PLUG	
TOLERANCES UNLESS OTHERWISE SPECIFIED:		APP'D R.GROSS 8-5-03	APPLICATION SPEC	
0. PLC ± -		SIZE CAGE CODE DRAWING NO. RESTRICTED TO		
1. PLC ± -		A1 00779 C=1663572		
2. PLC ± -		WEIGHT 0.000000		
3. PLC ± .005 [0.13]		CUSTOMER DRAWING		
4. PLC ± -		SCALE 10:1 SHEET 1 OF 1 REV J		
ANGLES ± -				
MATERIAL FINISH				