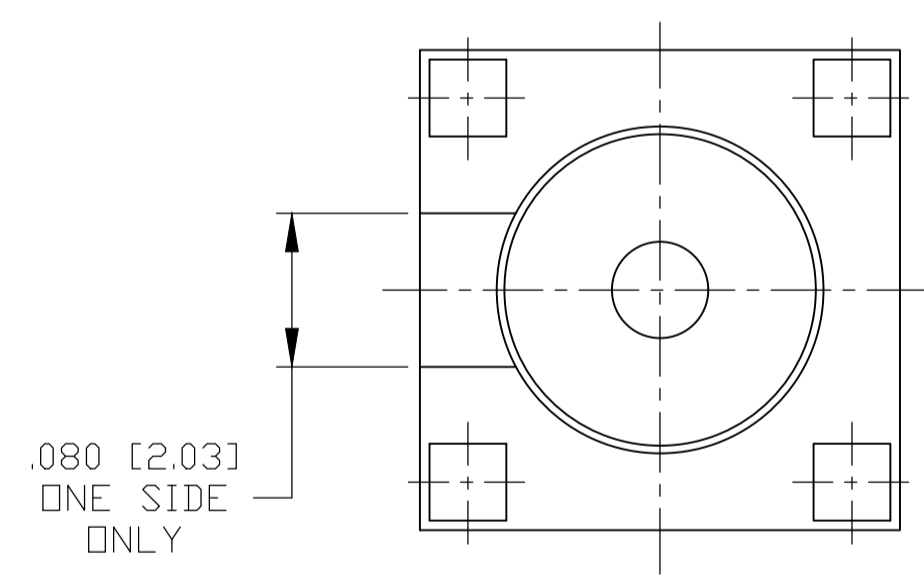
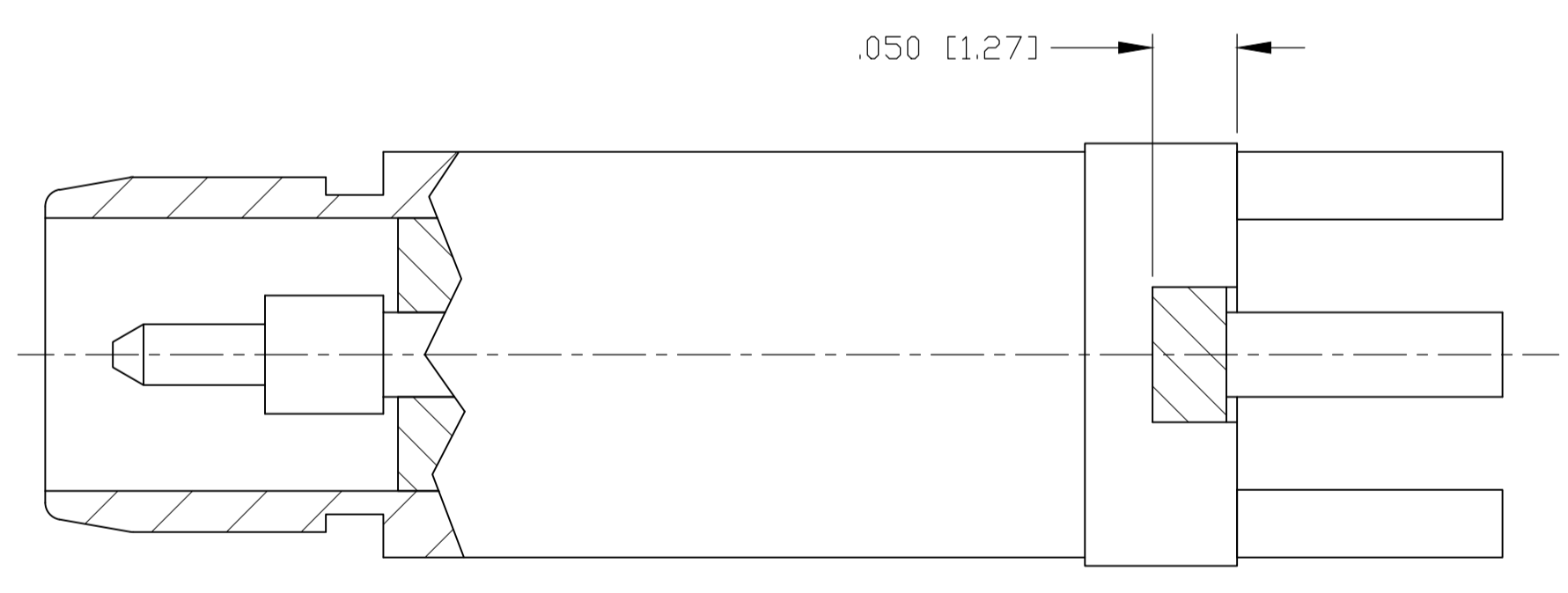
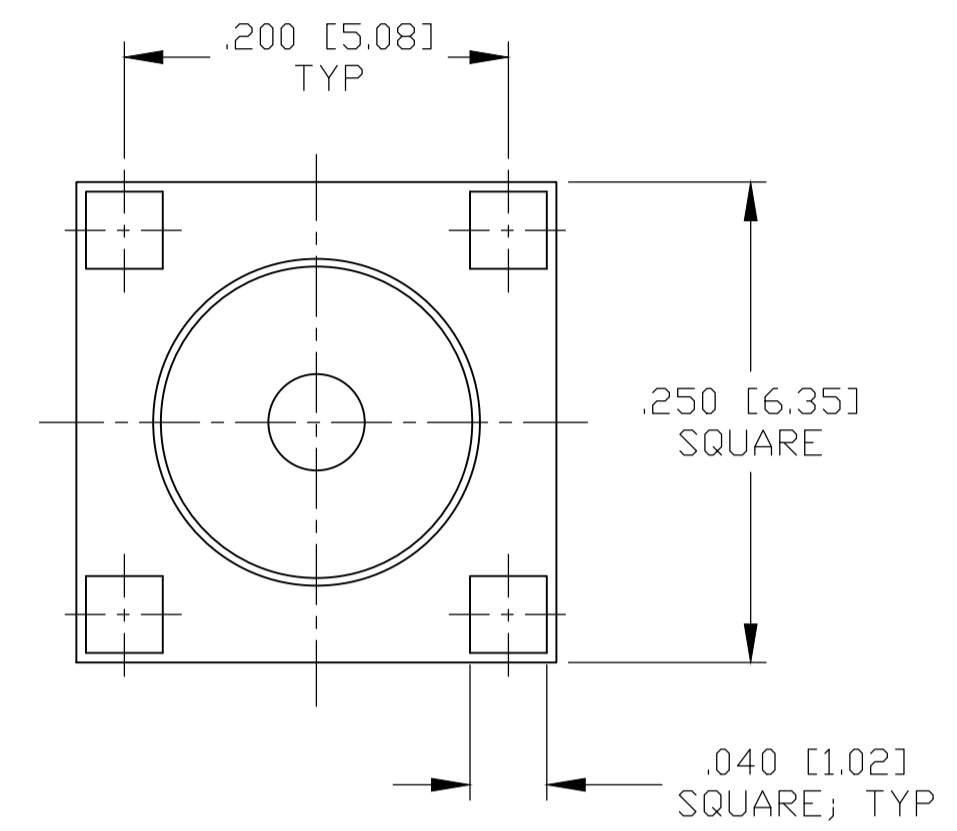
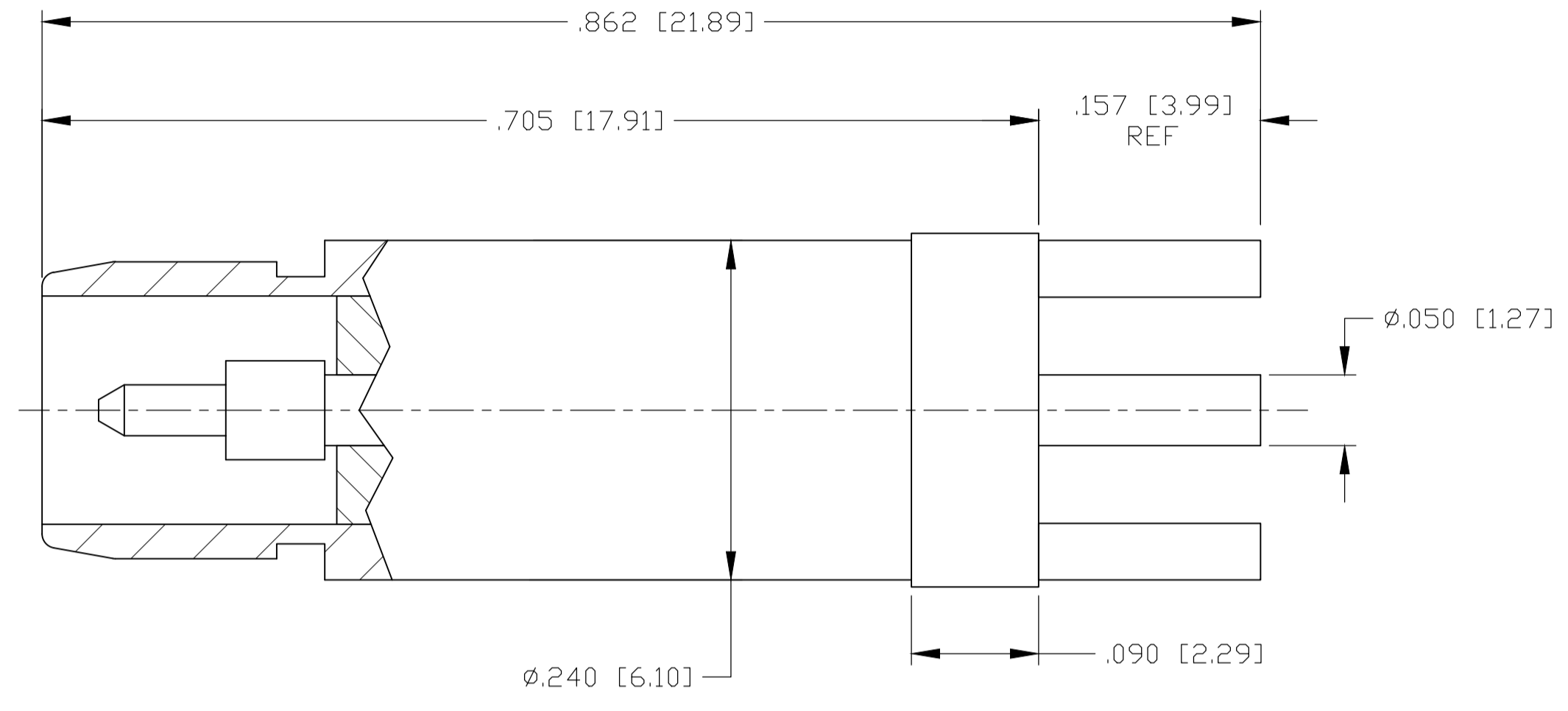
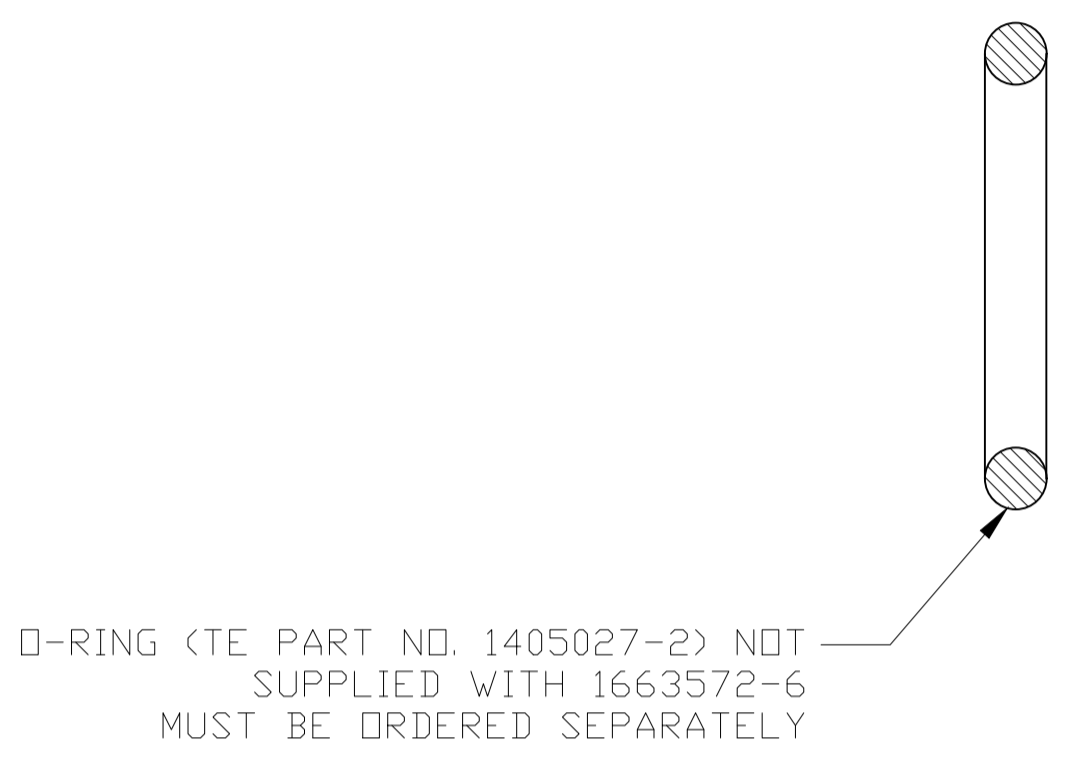


REVISIONS				
P	LTR	DESCRIPTION	DATE	APP'D
J		REV PER ECO 20-001324	4-16-20	CT PR

COMPONENT	MATERIAL	FINISH
O-RING	FLUOROSILICONE PER MIL-R-25988	N/A
HOUSING	STAINLESS STEEL PER ASTM-A582, TYPE 303	.000035-.000065 GOLD PL PER MIL-G-45204 OVER .000145-.000275 NICKEL PL PER AMS-QQ-N-290
DIELECTRIC	TFE FLUOROCARBON PER ASTM-D-1710 NA	N/A
CENTER CONTACT CONTACT EXT.	BRASS PER ASTM B 16	.000050-.000100 GOLD PL PER MIL-G-45204 OVER .000050-.000120 NICKEL PL PER AMS-QQ-N-290 OVER .000010 MIN COPPER PL PER AMS-2418



SAME AS VIEW A EXCEPT
.050 [1.27] X .080 [2.03] CUTOUT
(ONE SIDE ONLY)

1. O-RING SHIPPED UNASSEMBLED.

ELECTRICAL	MECHANICAL	ENVIRONMENTAL
Nominal Impedance (Ohms) <u>50</u>	Interface Dimensions per <u>DESC spec 85701</u>	TEMPERATURE RATING <u>-65°C TO +125°C</u>
Frequency Range (GHz) <u>DC-18</u>	Recommended Mating Torque <u>N/A</u>	Vibration - MIL-STD-202, Method 204, Condition D
Volt Rating (VRMS MAX) <u>500 @ Sea level</u>	Mating Characteristics:	Shock - MIL-STD-202, Method 213, Condition I
VSWR <u>N/A</u>	Insertion (MAX Lbs) <u>N/A</u>	Thermal shock MIL-STD-202, Method 107 Test Condition B
Insertion Loss (dB MAX) <u>N/A</u>	Withdrawal (MIN Dz) <u>N/A</u>	EXCEPT HIGH TEMP 115°C
RF Leakage (dB MIN) <u><-90-F(GHz)></u>	Connector Engagement and Disengagement (In/Lbs MAX) <u>N/A</u>	Moisture Resistance - MIL-STD-202, Method 106
(Interface only, fully mated)	Center Contact Captivation	Corrosion - MIL-STD-202, Method 101, Condition B, 5% salt spray
Corona, 70,000 Ft (VRMS MIN) <u>335</u>	Axial <u>6 Lbs</u>	
Dielectric Withstanding Voltage (VRMS MIN) <u>1000</u>	Radial <u>None</u>	
Contact Resistance (Milliohms MAX) Center Contact <u>2.0</u>	Cable Retention	
Outer Contact <u>2.0</u>	Axial Force <u>N/A</u>	
RF High Potential (VRMS MIN @ 5 MHz) <u>1000</u>	Torque <u>N/A</u>	
I.R.(Megohms) <u>5000 MIN</u>	Weight (Grams) <u></u>	

REMARKS	PART NO.
SEE VIEW A	1663572-6
SEE VIEW B	1663572-2
SEE VIEW A	1663572-1

THIS DRAWING IS A CONTROLLED DOCUMENT.

DIN C.C.THOMAS 8-5-03
CHK R.GROSS 8-5-03
APP'D R.GROSS 8-5-03
NAME R.GROSS

TE Connectivity

OSP STRAIGHT PCB PLUG

APPROVALS: DIMENSIONS: INCHES [mm] 0. PLC ± - 1. PLC ± - 2. PLC ± - 3. PLC ± .005 [0.13] 4. PLC ANGLES ± ± -

TOLERANCES UNLESS OTHERWISE SPECIFIED:

APPLICATION SPEC

WEIGHT 0.000000

SIZE A1

CAGE CODE 00779

DRAWING NO. 1663572

RESTRICTED TO

CUSTOMER DRAWING

SCALE 10:1

SHEET 1 OF 1

REV J