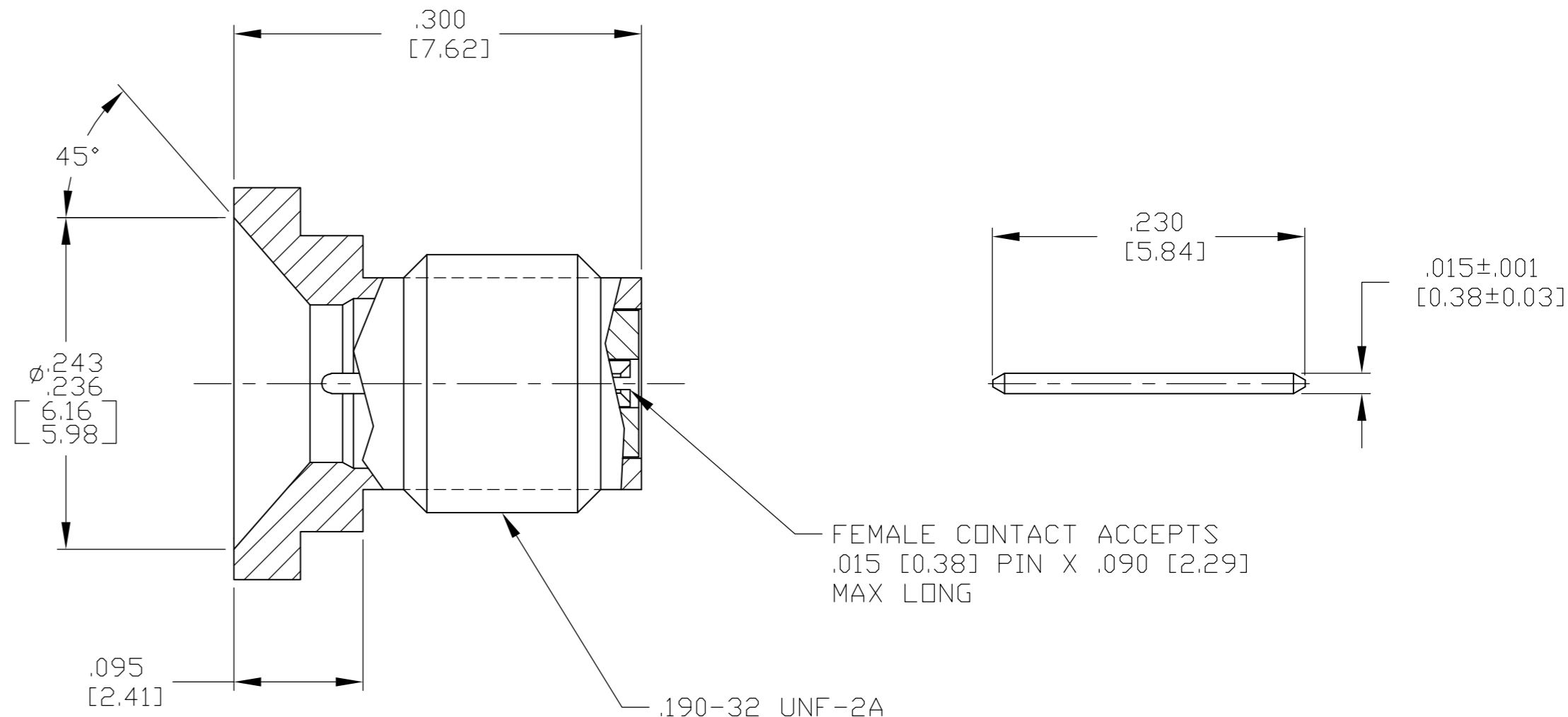
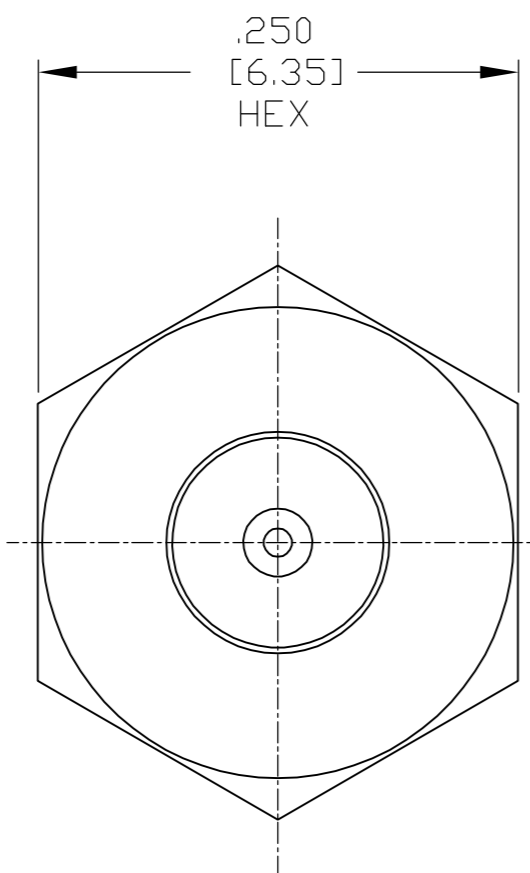


THIS DRAWING IS UNPUBLISHED.		RELEASED FOR PUBLICATION	
© COPYRIGHT BY TYCO ELECTRONICS CORPORATION. ALL RIGHTS RESERVED.			
COMPONENT	MATERIAL	FINISH	
HOUSING	STAINLESS STEEL PER ASTM-A-682	PASSIVATED PER AMS-QQ-P-35	
DIELECTRIC	PTFE FLUORCARBON PER ASTM-D-1710	-	
CENTER CONTACT SLIDE CONTACT	BERYLLIUM COPPER PER ASTM-B-196	.000100 MIN GOLD PER ASTM-B-488 OVER .000100 MIN NICKEL PER QQ-N-290	

LOC	DIST	REVISIONS					
DF	X0	P	LTR	DESCRIPTION	DATE	DWN	APVD
		B		REV PER ECO 06-025473	11-3-06	CT	RG



1663670-1
PART NUMBER

THIS DRAWING IS A CONTROLLED DOCUMENT.		DWN	C.C.THOMAS	6-2-05	Tyco Electronics Corporation Harrisburg, Pa 17105-3608							
DIMENSIONS: INCHES [mm]		CHK	R.GROSS	6-2-05								
TOLERANCES UNLESS OTHERWISE SPECIFIED:		APVD	R.GROSS	6-2-05								
0 PLC ± - 1 PLC ± - 2 PLC ± - 3 PLC ± .005 [0.13] 4 PLC ± - ANGLES ± - FINISH SEE TABLE		PRODUCT SPEC	NAME			SMP THREAD-IN PLUG ASSY WITH SLIDING PIN						
MATERIAL SEE TABLE		APPLICATION SPEC	-		SIZE	A2	CAGE CODE	00779	DRAWING NO	C=1663670	RESTRICTED TO	-
		WEIGHT	-		SCALE	10:1	SHEET	1	OF	1	REV	B
		CUSTOMER DRAWING										