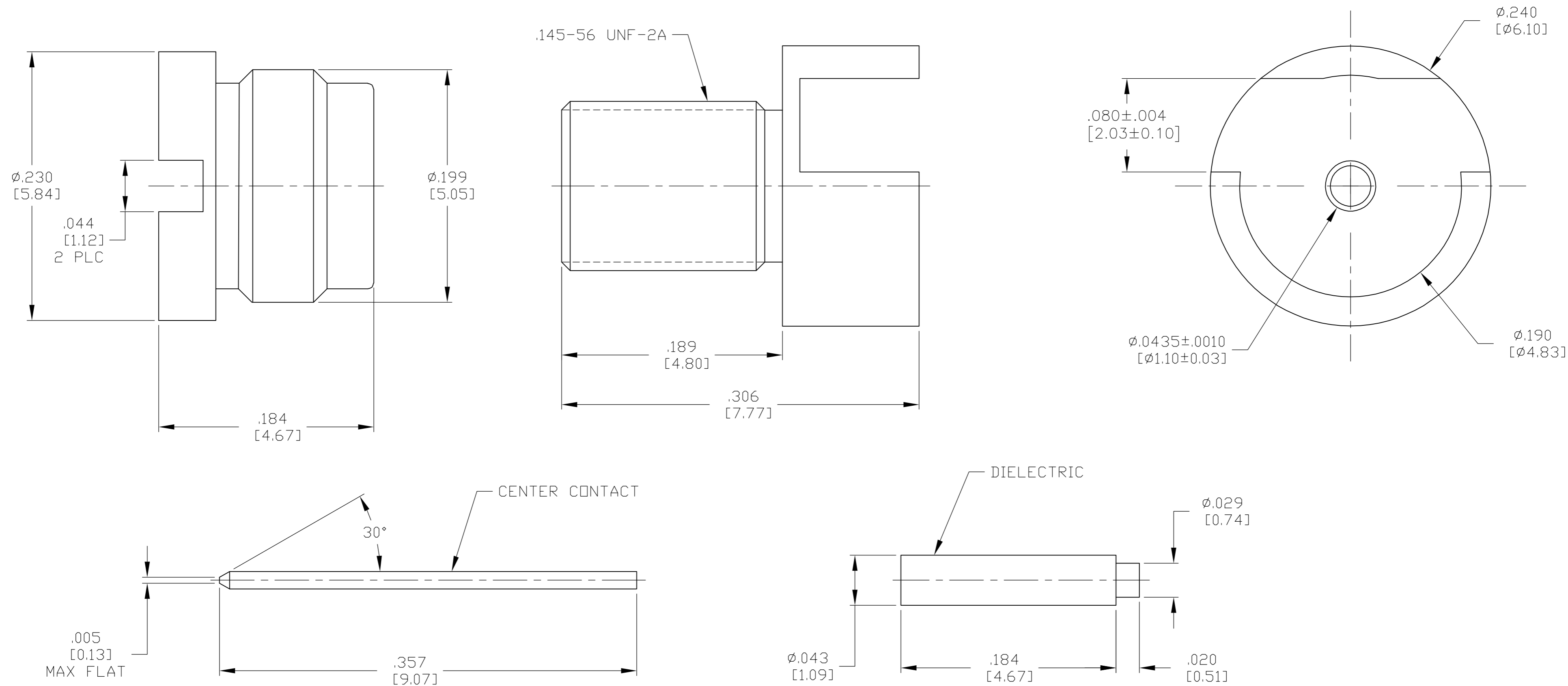


THIS DRAWING IS UNPUBLISHED. RELEASED FOR PUBLICATION  
 © COPYRIGHT BY TYCO ELECTRONICS CORPORATION. ALL RIGHTS RESERVED.

LOC	DIST	REVISIONS					
DF	X0	P	LTR	DESCRIPTION	DATE	DWN	APVD
		B		REV PER ECO 06-26023	11-7-06	CT	RG

COMPONENT	MATERIAL	FINISH
SHROUD	STAINLESS STEEL PER ASTM-A-682	PASSIVATED PER AMS-QQ-P-35
DIELECTRIC	PTFE FLUORCARBON PER ASTM-D-1710	-
CENTER CONTACT	BERYLLIUM COPPER PER ASTM-B-196	.000050 MIN GOLD PER ASTM-B-488 OVER .000050 MIN NICKEL PER QQ-N-290
HOUSING	BERYLLIUM COPPER PER ASTM-B-196	.000050 MIN GOLD PER ASTM-B-488 OVER .000050 MIN NICKEL PER QQ-N-290



1. ALL ITEMS SHOWN PACKAGED UNASSEMBLED.

1663678-1  
PART NUMBER

THIS DRAWING IS A CONTROLLED DOCUMENT.		DWN	C.C.THOMAS	10-23-06	Tyco Electronics Corporation Harrisburg, Pa 17105-3608
DIMENSIONS:		CHK	R.GROSS	10-23-06	
INCHES [mm]		APVD	R.GROSS	10-23-06	
		PRODUCT SPEC			
TOLERANCES UNLESS OTHERWISE SPECIFIED:		APPLICATION SPEC			NAME
0 PLC	± -				KIT,SMP PCB PLUG,END LAUNCH, BULKHEAD MOUNT,SMOOTH BORE
1 PLC	± -				
2 PLC	± -				SIZE
3 PLC	± .005 [0.13]				CAGE CODE
4 PLC	± -				DRAWING NO
ANGLES	± -				RESTRICTED TO
FINISH	SEE TABLE	WEIGHT	-		A2 00779 C=1663678
MATERIAL	SEE TABLE	CUSTOMER DRAWING			SCALE
					10:1
					SHEET
					1 OF 1
					REV
					B