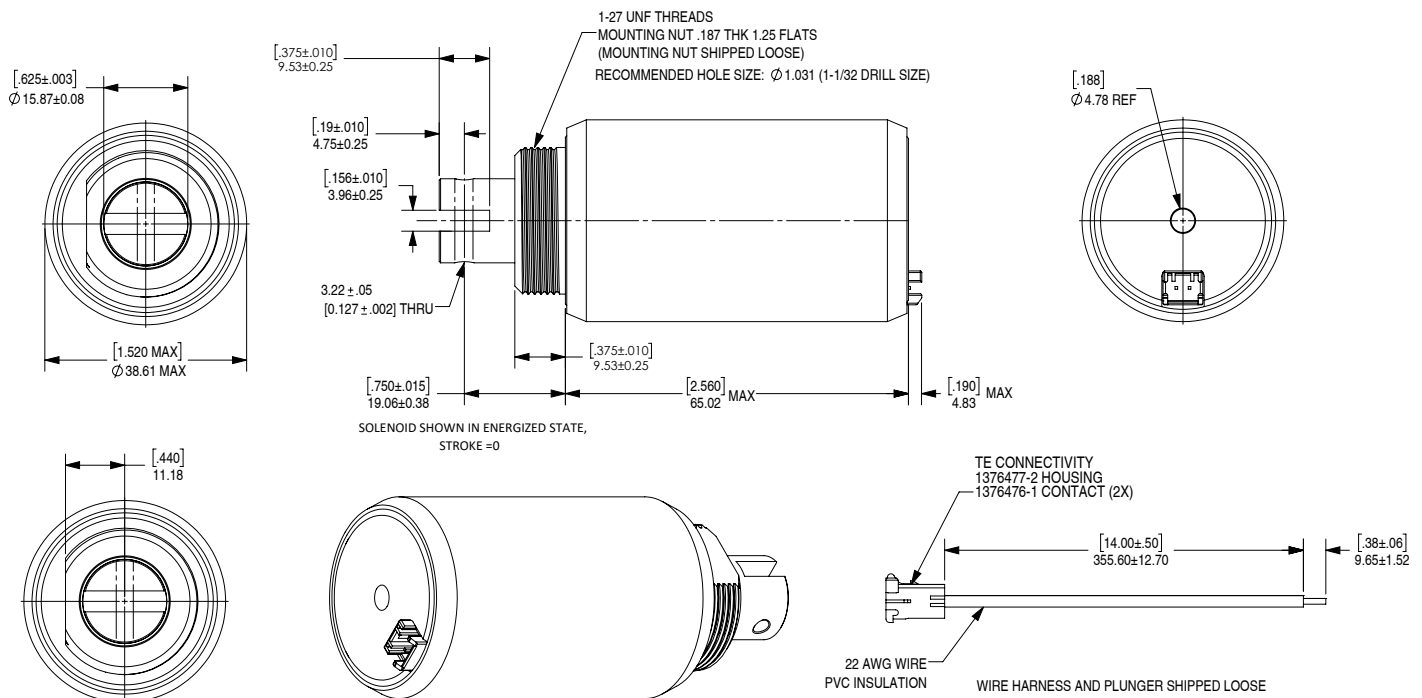


Tubular Solenoid 150

**PULL
TYPE**



Part No.	Duty Cycle	Ampere Turns ⁴	Max. ON Time Continuous Pulse (sec.) ¹	Max. ON Time Single Pulse (sec.)	Voltage (V) ³	Resistance (Ω)	Power (W)	Current (A)
1671-9F10019	25%	3600	100	252	50.0	36.9	68	1.36
	100%	1800	∞	∞	25.0		17	0.68
1671-9F30021	25%	3600	100	252	25.0	9.3	67	2.69
	100%	1800	∞	∞	12.4		17	1.33
1671-9F50023	25%	3600	100	252	63.0	58.4	28	1.08
	100%	1800	∞	∞	32.0		7	0.55

Typical Pull Force - lbf (N) ²							
Stroke - in.(mm)	0.000 (0.00)	0.100 (2.54)	0.200 (5.08)	0.300 (7.62)	0.400 (10.16)	0.500 (12.70)	0.600 (15.24)
Continuous Duty	14.415 (64.12)	8.600 (38.25)	5.250 (23.35)	3.542 (15.76)	2.587 (11.51)	1.99 (8.85)	1.610 (7.16)
Intermittent Duty	18.279 (81.31)	14.151 (62.95)	11.117 (49.45)	9.020 (40.12)	7.512 (33.42)	6.414 (28.53)	5.650 (25.13)

Performance

Dielectric Strength 1000Vrms
 Recommended Minimum Heat Sink Maximum watts dissipated by solenoid are based on an unrestricted flow of air at 20°C, with solenoid mounted on the equivalent of an aluminum plate measuring 6" square by 1/8"
 Class B Insulation System

¹ Continuously pulsed at stated watts and duty cycle
² All values shown are average at 20°C
³ Other voltages available (please consult factory)
⁴ Reference number of turns

RoHS Compliant

Made in Ohio, USA