

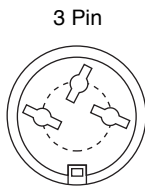
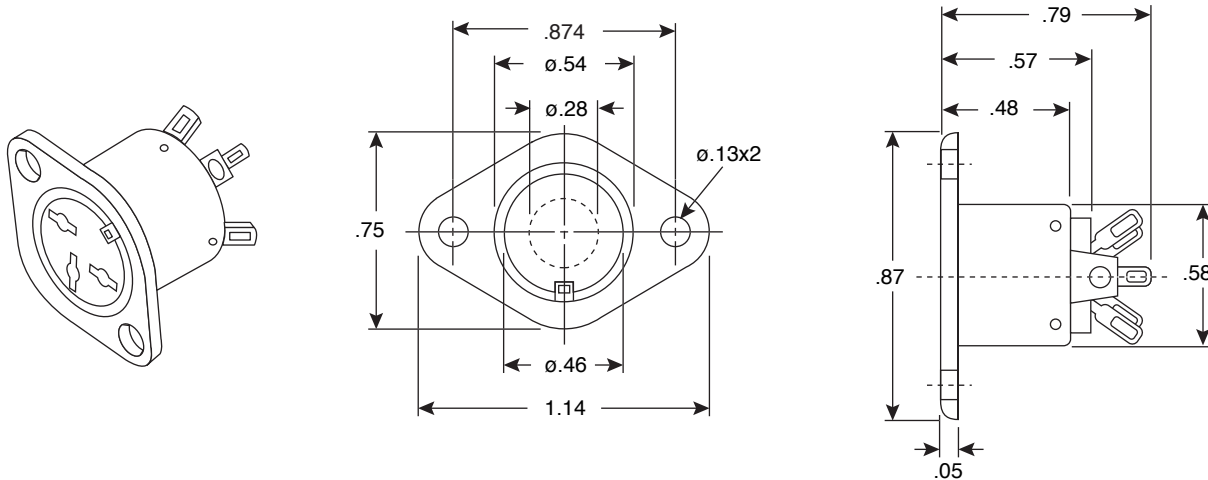
# DIN Receptacles

16PJ102-E, 16PJ224-E

**KOBI**CONN

DIN Receptacles

16PJ102-E, 16PJ224-E



3 Pin  
16PJ102-E



6 Pin  
16PJ224-E

Dimensions: In.

Mouser Stock No.	Description	Degree of Arc
16PJ102-E	3 Pin	180°
16PJ224-E	6 Pin	240°

## SPECIFICATIONS

<b>Rated Power:</b>	2A/34VDC
<b>Contact Resistance:</b>	20mΩ max.
<b>Insulation Resistance:</b>	300MΩ min. @ 500VDC
<b>Dielectric Strength:</b>	1000VAC for 1 Minute
<b>Case:</b>	Nickel Plated Steel
<b>Insulator:</b>	Phenolic
<b>Pin:</b>	Tin Plated Brass
<b>Ground Lug:</b>	Tin Plated Phosphor Bronze
<b>Rivet:</b>	Aluminum
RoHS Compliant	

Date Last Revised: 12-23-05

Available from Mouser Electronics  
1-800-346-6873  
www.mouser.com

KC-300941