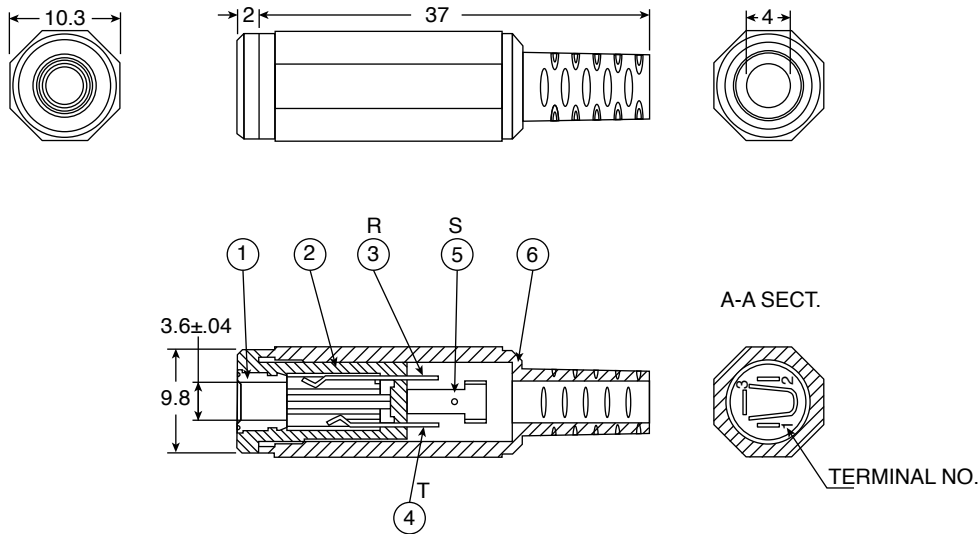


3.5 mm Stereo Jack

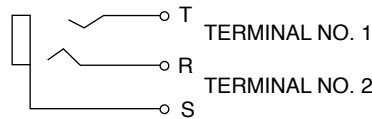
16PJ106N-EX



3.5 mm Stereo Jack



CIRCUIT



DIMENSIONS: mm

SPECIFICATIONS

Dielectric Strength:	500VAC for 1 minute
Contact Resistance:	50mΩ Max.
Insulation Resistance:	100MΩ Min. at 500VDC
Tolerance:	±0.3mm (except where noted)
RoHS Compliant By Exemption	

MATERIAL SPECIFICATIONS

No.	Part Name	Material	Finish
1	Sleeve	BSBM	Ni
2	Housing	PA	-
3	Contact A	PBS	Ni
4	Contact B	PBS	Ni
5	Contact C	BSR	Ni
6	Cap	PE	-

Date Last Revised: 11/05/15

Available from Mouser Electronics
1-800-346-6873 / www.mouser.com

KC-301441

Specifications are subject to change without notice. No liability or warranty implied by this information. Environmental compliance based on producer documentation.

16PJ106N-EX