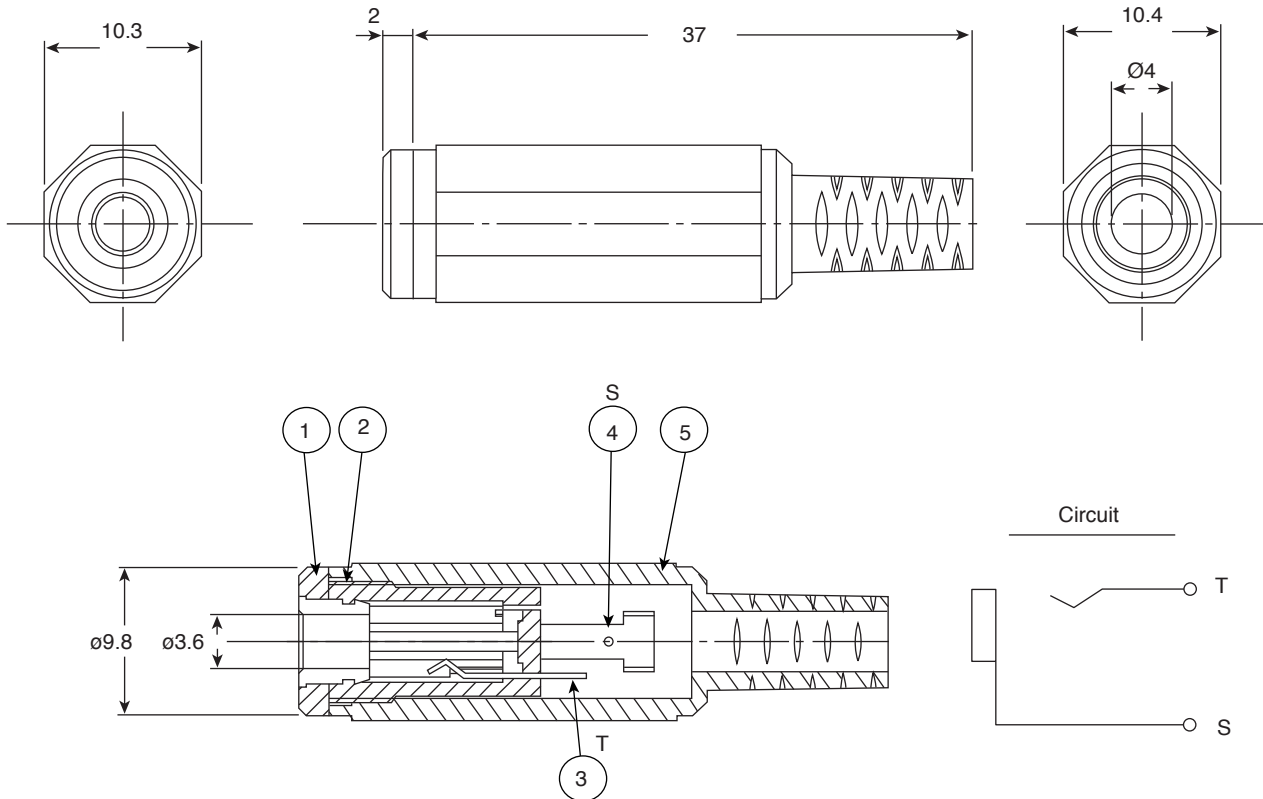


# Jack

16PJ225N-EX



Jack



DIMENSIONS: mm

SPECIFICATIONS	
<b>Dielectric Strength:</b>	500V AC for 1 Min.
<b>Contact Resistance:</b>	50mΩ Max.
<b>Insulation Resistance:</b>	100mΩ Min. at 500V DC
RoHS Compliant by Exemption	

Pin Configurations	
<b>Sleeve (1):</b>	BSBM, Ni Finish
<b>Housing (2):</b>	PA
<b>Contact A (3):</b>	BSR t = 0.3, Ni Finish
<b>Contact B (4):</b>	PBS t = 0.25, Ni Finish
<b>Cap (5):</b>	PE

Date Last Revised: 09-12-16

Available from Mouser Electronics  
1-800-346-6873 / [www.mouser.com](http://www.mouser.com)

KC-301445

16PJ225N-EX