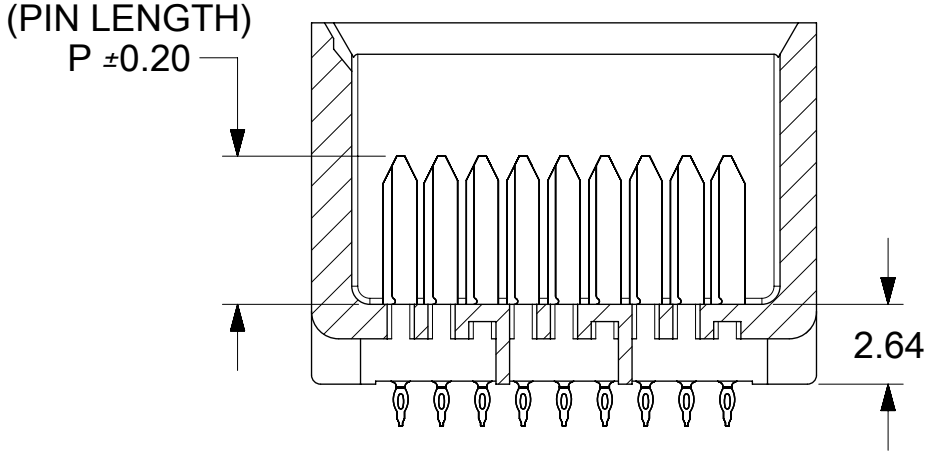
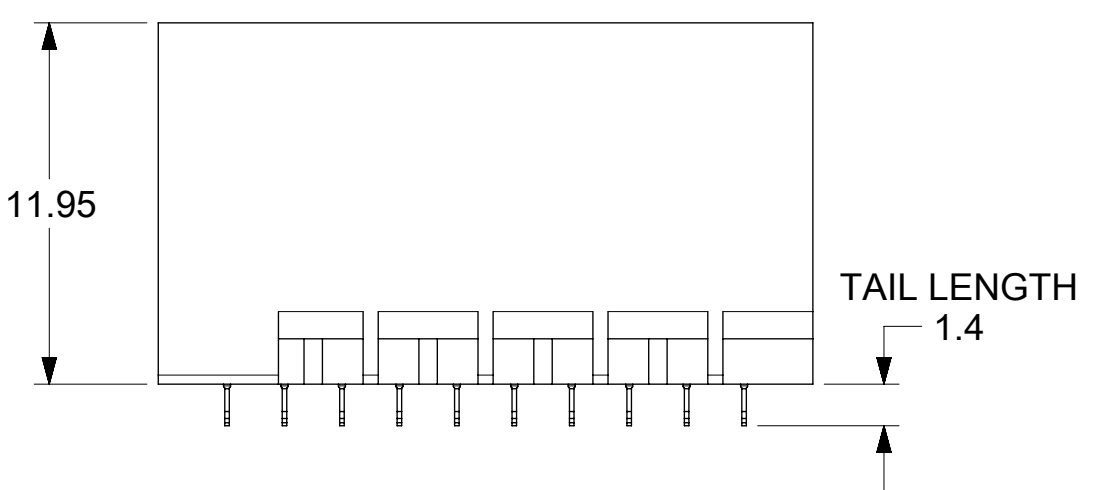
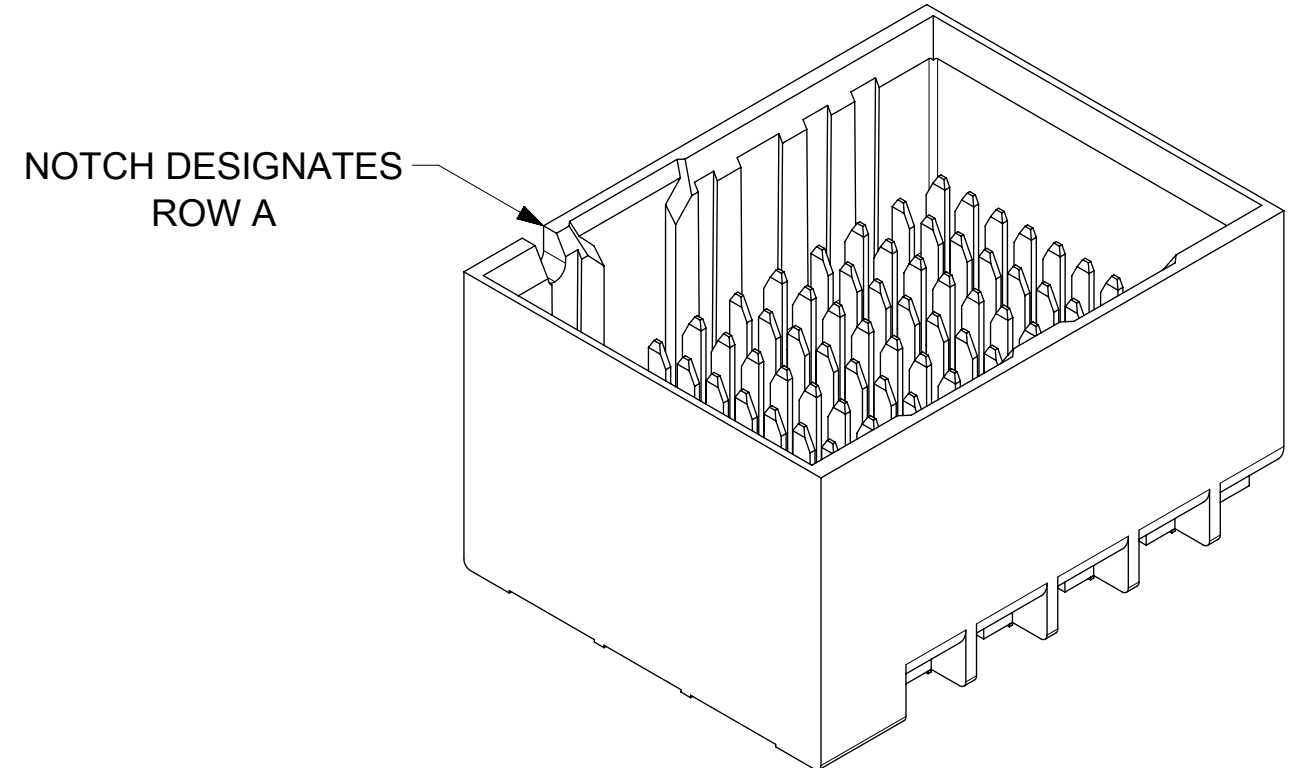


SEE PART NUMBER CHART AND PART NUMBER LOGIC (12 HOLES PER COLUMN)

UNGUIDED BACKPLANE HOLE PATTERN (CONNECTOR SIDE) SEE NOTE 8



SECTION Z-Z



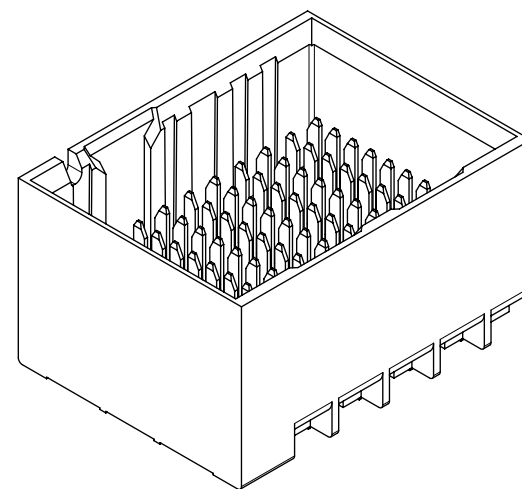
NOTCH DESIGNATES ROW A

- NOTES:
1. MATERIALS: HOUSING - LIQUID CRYSTAL POLYMER (LCP) GLASS-FILLED, UL94V-0
TERMINALS - HIGH PERFORMANCE COPPER ALLOY
 2. FINISH: 30µ MIN GOLD IN CONTACT AREA.
SELECTIVE MATE TIN ON PCB TAILS, NICKEL OVERALL.
 3. REFER TO MOLEX PRODUCT SPECIFICATION PS-170540-999 FOR PERFORMANCE SPECIFICATIONS AND ADDITIONAL PCB INFORMATION.
 4. THIS PART CONFORMS TO CLASS B REQUIREMENTS OF MOLEX COSMETIC SPEC PS-45499-002.
 5. PARTS PACKAGED PER PK-70873-7700.
 6. SEE SHEETS 2 & 3 FOR PART NUMBERS AND BOARD RELATIONSHIPS.
 7. REFER TO MOLEX PCB ROUTING GUIDE AS-76060-990 FOR ANTIPAD AND ROUTING RECOMMENDATIONS.
 8. "THESE DIMENSIONS REPRESENT THE AREA NEEDED TO ACCOMMODATE CONNECTOR INSERTION AND REPAIR ON THE PC BOARD. THIS IS REFERRED TO AS THE "CONNECTOR KEEP OUT ZONE" AND DOES NOT REPRESENT THE ACTUAL PERIMETER OF THE CONNECTOR. WHEN LAYING OUT A PC BOARD FOR CONNECTORS STACKED TOGETHER, USE A 1.9mm PROGRESSION."
 9. MINIMUM CIRCUIT BOARD THICKNESS: 1.0mm

QUALITY SYMBOLS	THIS DRAWING CONTAINS INFORMATION THAT IS PROPRIETARY TO MOLEX ELECTRONIC TECHNOLOGIES, LLC AND SHOULD NOT BE USED WITHOUT WRITTEN PERMISSION									
	MIGRATED TO NX EC NO: 168628 DRWN: KUCHILA CHKD: PRAMASWAMY REV / APPR: PRAMASWAMY	GENERAL TOLERANCES (UNLESS SPECIFIED)		DIMENSION UNITS	SCALE					
ANGULAR TOL ± °		mm	4:1							
▽ = 0	DRWN BY JBINGHAM DATE 2012/12/12 CHKD BY JLAURX DATE 2012/12/12 APPR BY JLAURX DATE 2013/01/28	4 PLACES ±	DRAWING SIZE		THIRD ANGLE PROJECTION		SERIES		MATERIAL NUMBER	CUSTOMER
▽ = 0		3 PLACES ±	C				170525		SEE CHART	GENERAL MARKET
▽ = 0		2 PLACES ± 0.13	DRAFT WHERE APPLICABLE MUST REMAIN WITHIN DIMENSIONS		PSD		DOC TYPE		DOC PART	SHEET NUMBER
▽ = 0		1 PLACE ± 0.25					SD-170525-0001		001	1 OF 3
▽ = 0		0 PLACES ±								

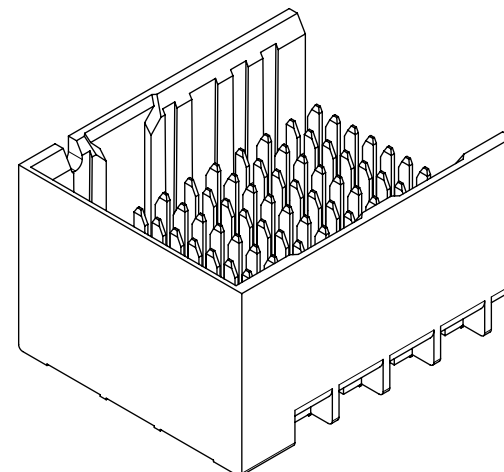
PART NUMBER CHART

MATERIAL NUMBER	# OF COLUMNS	# OF DIFF PAIR	DIM "A"	DIM "B"	DUAL END WALL OPTION
170525-182*	8	24	17.9	13.30	
170525-112*	10	30	21.7	17.10	
170525-122*	12	36	25.5	20.90	
170525-162*	16	48	33.1	28.50	



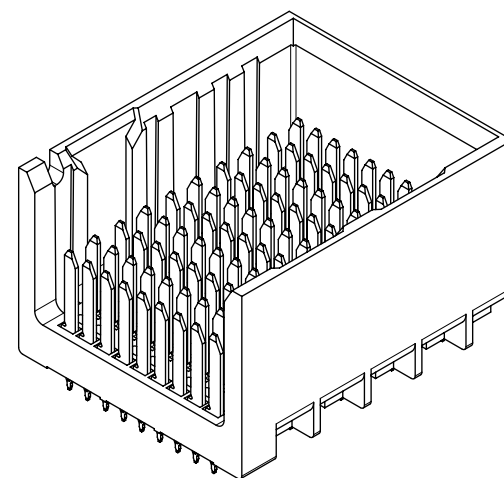
DUAL END
WALL OPTION

MATERIAL NUMBER	# OF COLUMNS	# OF DIFF PAIR	DIM "A"	DIM "B"	LEFT END WALL OPTION
170525-181*	8	24	16.5	13.30	
170525-111*	10	30	20.3	17.10	
170525-121*	12	36	25.5	20.90	
170525-161*	16	48	31.7	28.50	



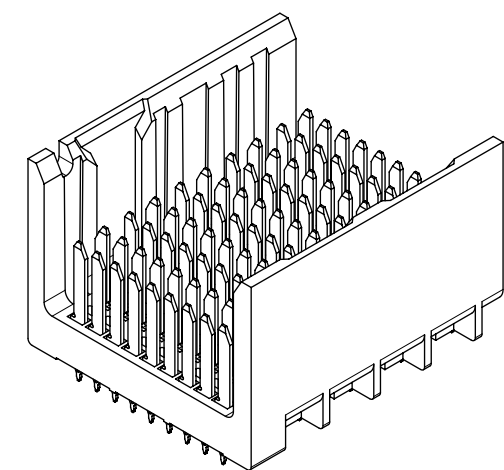
LEFT END
WALL OPTION

MATERIAL NUMBER	# OF COLUMNS	# OF DIFF PAIR	DIM "A"	DIM "B"	RIGHT END WALL OPTION
170525-183*	8	24	16.5	13.30	
170525-113*	10	30	20.3	17.10	
170525-123*	12	36	25.5	20.90	
170525-163*	16	48	31.7	28.50	



RIGHT END
WALL OPTION

MATERIAL NUMBER	# OF COLUMNS	# OF DIFF PAIR	DIM "A"	DIM "B"	OPEN WALL OPTION
170525-180*	8	24	15.1	13.30	
170525-110*	10	30	18.9	17.10	
170525-120*	12	36	22.7	20.90	
170525-160*	16	48	30.4	28.50	



OPEN
WALL OPTION

PART NUMBER LOGIC

170525- * * * *

MODULE TYPE

1 = UNGUIDED, MATTE TIN

OF COLUMNS

1 = 10 COL
2 = 12 COL
6 = 16 COL
8 = 8 COL

PIN LENGTH (P)

3 = 4.50 (SHORT COMPLIANT, 0.46±0.05 PTH)
4 = 4.90 (SHORT COMPLIANT, 0.46±0.05 PTH)
5 = 5.50 (SHORT COMPLIANT, 0.46±0.05 PTH)
6 = 4.50 (MICRO COMPLIANT, 0.39±0.05 PTH)
7 = 4.90 (MICRO COMPLIANT, 0.39±0.05 PTH)
8 = 5.50 (MICRO COMPLIANT, 0.39±0.05 PTH)

END WALL OPTIONS

0 = OPEN ENDS
1 = LEFT END WALL
2 = DUAL END WALL
3 = RIGHT END WALL

QUALITY SYMBOLS	THIS DRAWING CONTAINS INFORMATION THAT IS PROPRIETARY TO MOLEX ELECTRONIC TECHNOLOGIES, LLC AND SHOULD NOT BE USED WITHOUT WRITTEN PERMISSION										
▽ = 0	EC NO: 168628 DRWN: KUCHILA CHKD: PRAMASWAMY APPR: PRAMASWAMY MIGRATED TO NX 2017/11/09 2017/11/27 2017/11/28	GENERAL TOLERANCES (UNLESS SPECIFIED)		DIMENSION UNITS	SCALE						
▽ = 0		ANGULAR TOL ± °		mm	2.5:1						
▽ = 0		4 PLACES ±	DATE		DRWN BY	DATE	IMPACT 3-PAIR 85-OHM UNGUIDED BACKPLANE SALES ASSEMBLY DRAWING				
▽ = 0		3 PLACES ±	DATE		JBINGHAM	2012/12/12					
▽ = 0		2 PLACES ± 0.13	DATE		CHK'D BY	DATE	PRODUCT CUSTOMER DRAWING				
▽ = 0		1 PLACE ± 0.25	DATE		JLAURX	2012/12/12					
▽ = 0		0 PLACES ±	DATE		APPR BY	DATE	SERIES MATERIAL NUMBER CUSTOMER 170525 SEE CHART GENERAL MARKET				
▽ = 0		DRAFT WHERE APPLICABLE MUST REMAIN WITHIN DIMENSIONS		THIRD ANGLE PROJECTION		DOCUMENT NUMBER DOC TYPE DOC PART SHEET NUMBER SD-170525-0001 PSD 001 2 OF 3					
▽ = 0		D1	C								