

NOTES:

1. MATERIAL:

CAGE ASSEMBLY: NICKEL SILVER, 0.25mm THICK
 THERMAL ASSEMBLY: ALUMINUM/COPPER ALLOY
 EMI STRAPS: PHOS-BRONZE
 LIGHT PIPES: POLYCARBONATE (OPTIONAL)
 CONNECTOR HOUSING: HIGH TEMPERATURE THERMOPLASTIC
 TERMINALS: COPPER ALLOY

2. FINISH:

CAGE ASSEMBLY: UNPLATED
 THERMAL ASSEMBLY: NICKEL PLATE
 EMI STRAPS: 0.5 um NICKEL OVERALL
 TERMINALS: CONTACT AREA: 0.76 um Min. HARD GOLD OVER NICKEL UNDERPLATE.
 COMPLIANT TAIL: 0.7-1.5 um MATTE TIN OVER NICKEL UNDERPLATE.

3. REFER TO PK-171233-0001 FOR ALL PACKAGING SPECIFICATIONS.

4. REFER TO ROUTING INFORMATION ON AS-171233-0002.

5. REFER TO PS-171565-0001 FOR ALL ELECTRICAL, MECHANICAL, ENVIRONMENTAL SPECIFICATIONS.

6. ALL VISIBLE CAGE EXTERIOR SURFACES TO BE CLASS "B", EXCEPT FOR THE UNDERSIDE OF THE CAGE AND SHOULD CONFORM TO THE MOLEX COSMETIC STANDARD ES-171233-0001. ALL REMAINING SURFACES TO BE CLASS C EXCEPT FOR THE FRONT OF THE MIDSECTION EMI SPRING FINGERS WHICH ARE A CLASS A SURFACE. SEE THE HEAT SINK SECTION FOR ITS CORRESPONDING REQUIREMENTS.

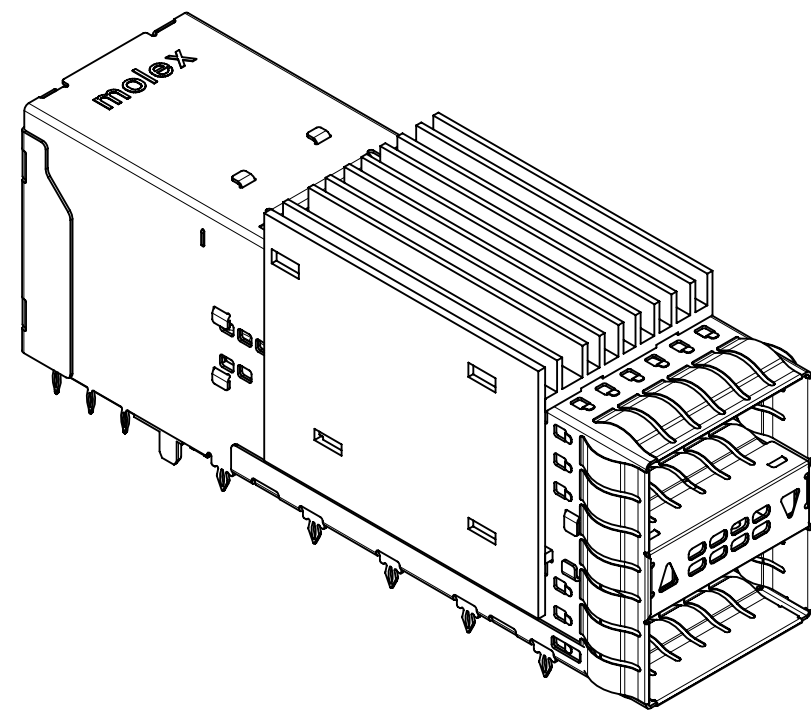
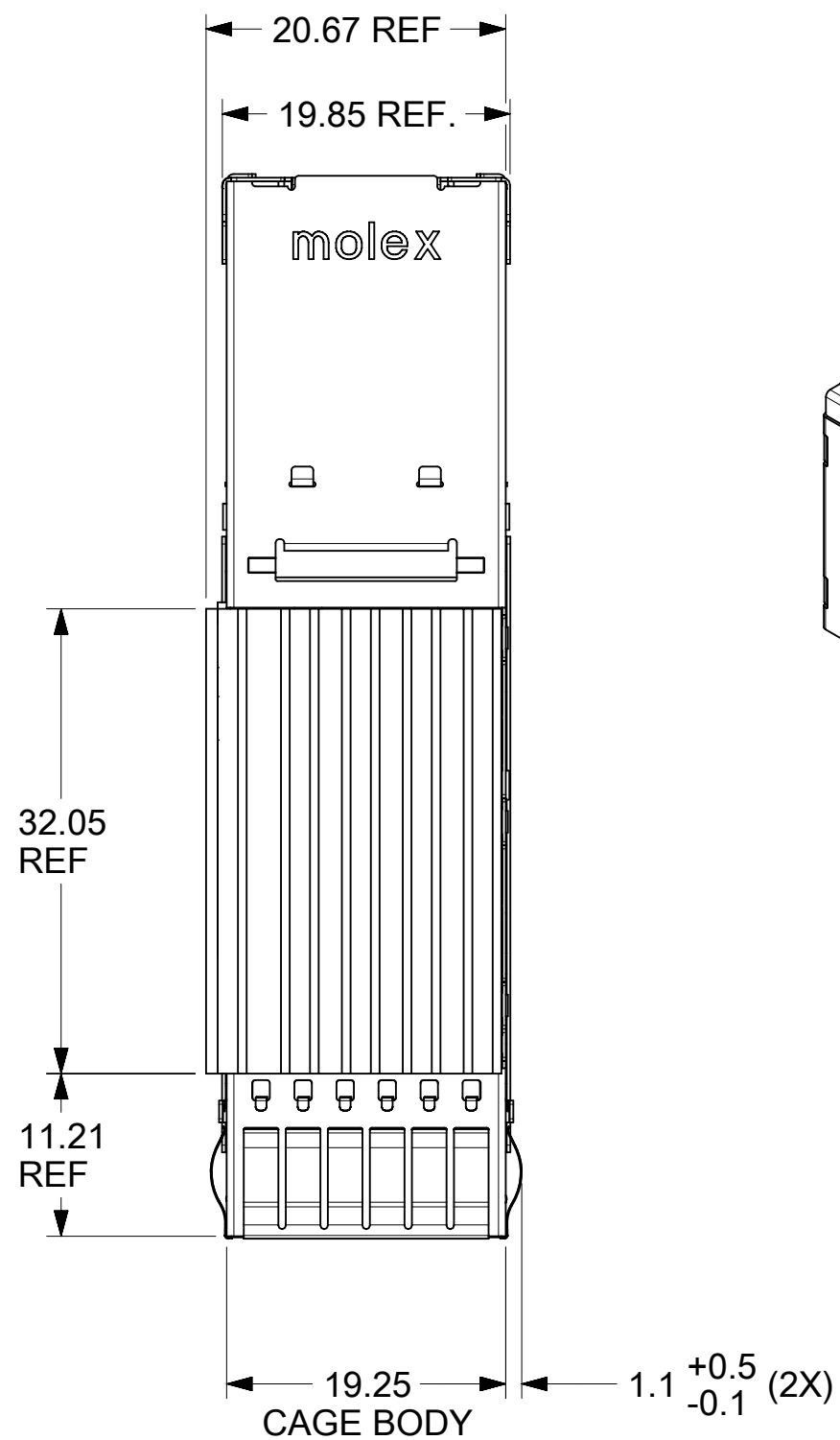
7. CONNECTOR MATES WITH PLUG CABLE SERIES 74757 AND 74758

8. DATE CODE LOCATION. DATE CODE FORMAT: LDDDYX

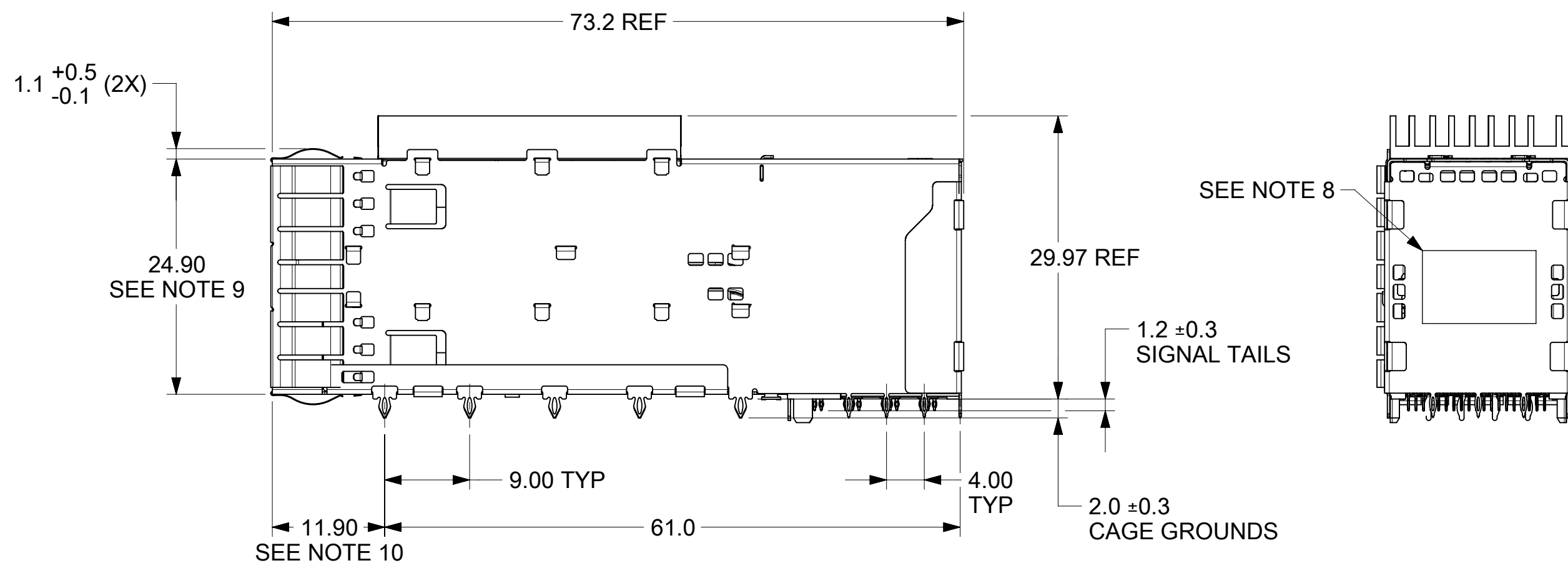
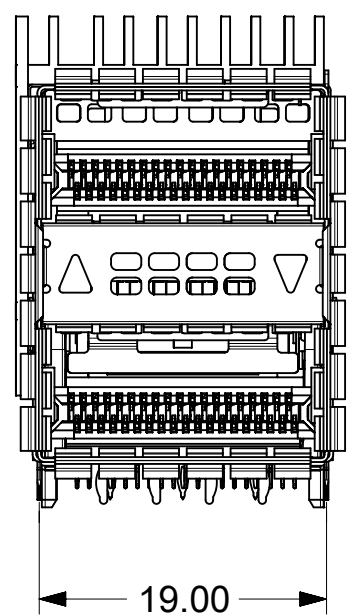
L: MOLEX INTERNAL CONTROL
 DDD: DAY OF THE YEAR
 Y: LAST DIGIT OF YEAR
 X: MOLEX INTERNAL CONTROL

9. MEASURED FROM THE TOP OF THE TOP COVER TO THE BOTTOM OF THE CAGE BASE.

10. MEASURED FROM FRONT OF TOP COVER.



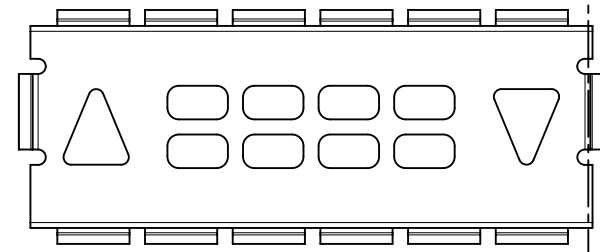
SHOWN WITH EMI GASKET



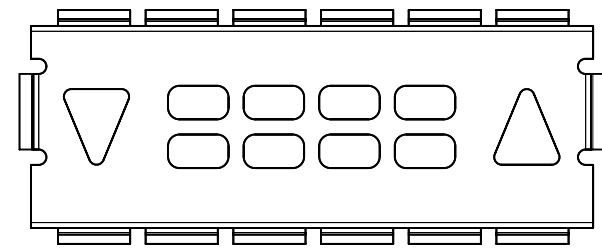
THIS DRAWING CONTAINS INFORMATION THAT IS PROPRIETARY TO MOLEX ELECTRONIC TECHNOLOGIES, LLC AND SHOULD NOT BE USED WITHOUT WRITTEN PERMISSION

DIMENSION UNITS		SCALE		CURRENT REV DESC: OBSOLETE PART NUMBER AS PER #508521								
MM		2:1										
GENERAL TOLERANCES (UNLESS SPECIFIED)						EC NO: 667392						
		MM	INCH			DRWN: ABHISP1 2021/04/29						
4 PLACES		±	±			CHK'D: GGA 2021/07/05						
3 PLACES		±	±			APPR: GGA 2021/07/05						
2 PLACES		± 0.13	±			INITIAL REVISION:						
1 PLACE		± 0.25	±			DRWN: HAVERY 2014/11/06		DOCUMENT NUMBER		DOC TYPE	DOC PART	REVISION
0 PLACES		±	±			APPR: HAVERY 2014/11/06		SD-170879-4000		PSD	001	A1
ANGULAR TOL		± 0.5 °				THIRD ANGLE PROJECTION		MATERIAL NUMBER		CUSTOMER		SHEET NUMBER
DRAFT WHERE APPLICABLE MUST REMAIN WITHIN DIMENSIONS						C-SIZE		SEE TABLE		GENERAL MARKET		1 OF 5

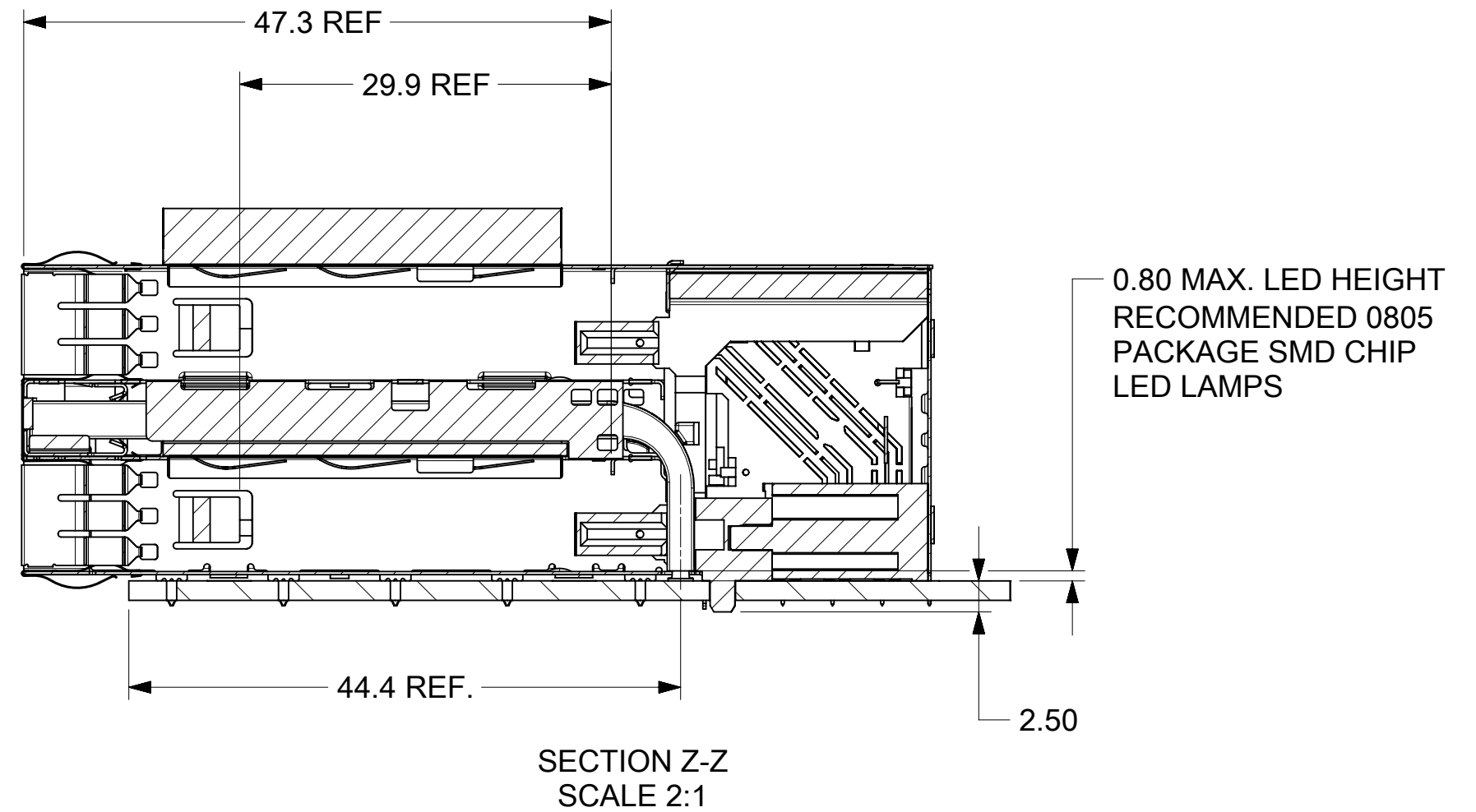
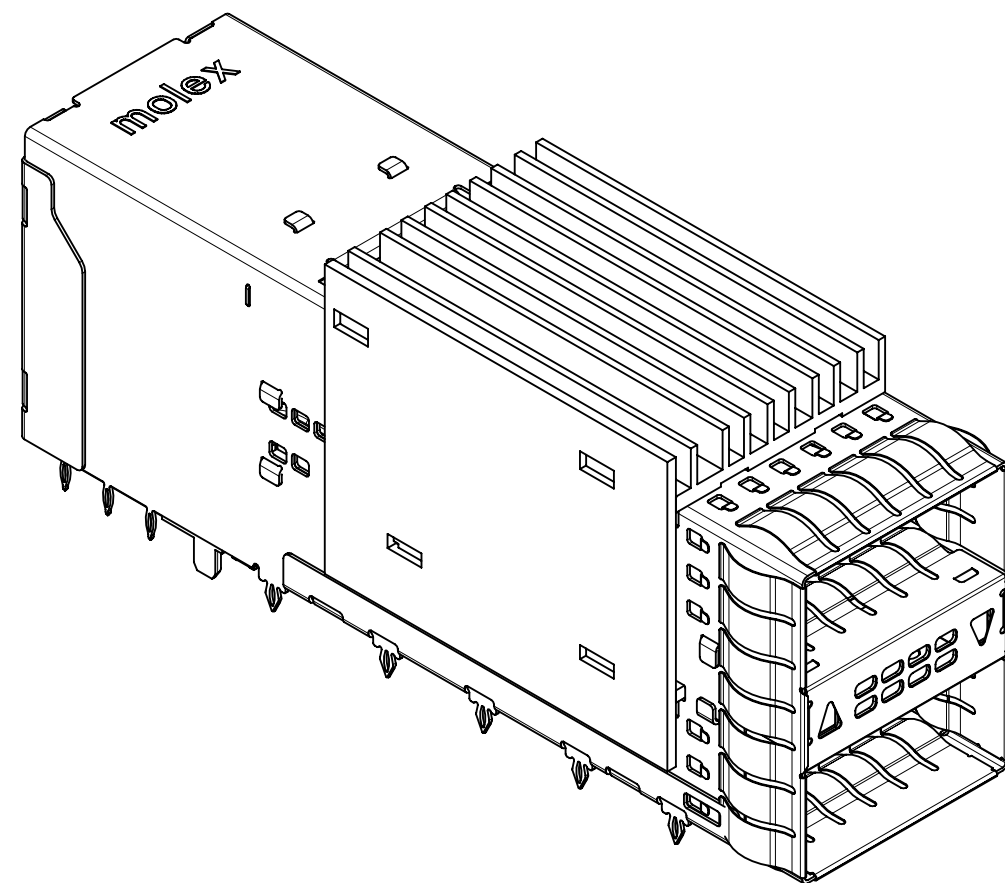
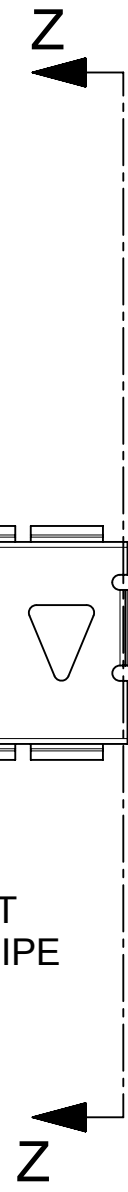
PART NUMBER	DESCRIPTION	PLATING
1708794001	LEFT UPPER PORT ARROW	TIN
1708794002	LEFT LOWER PORT ARROW	TIN



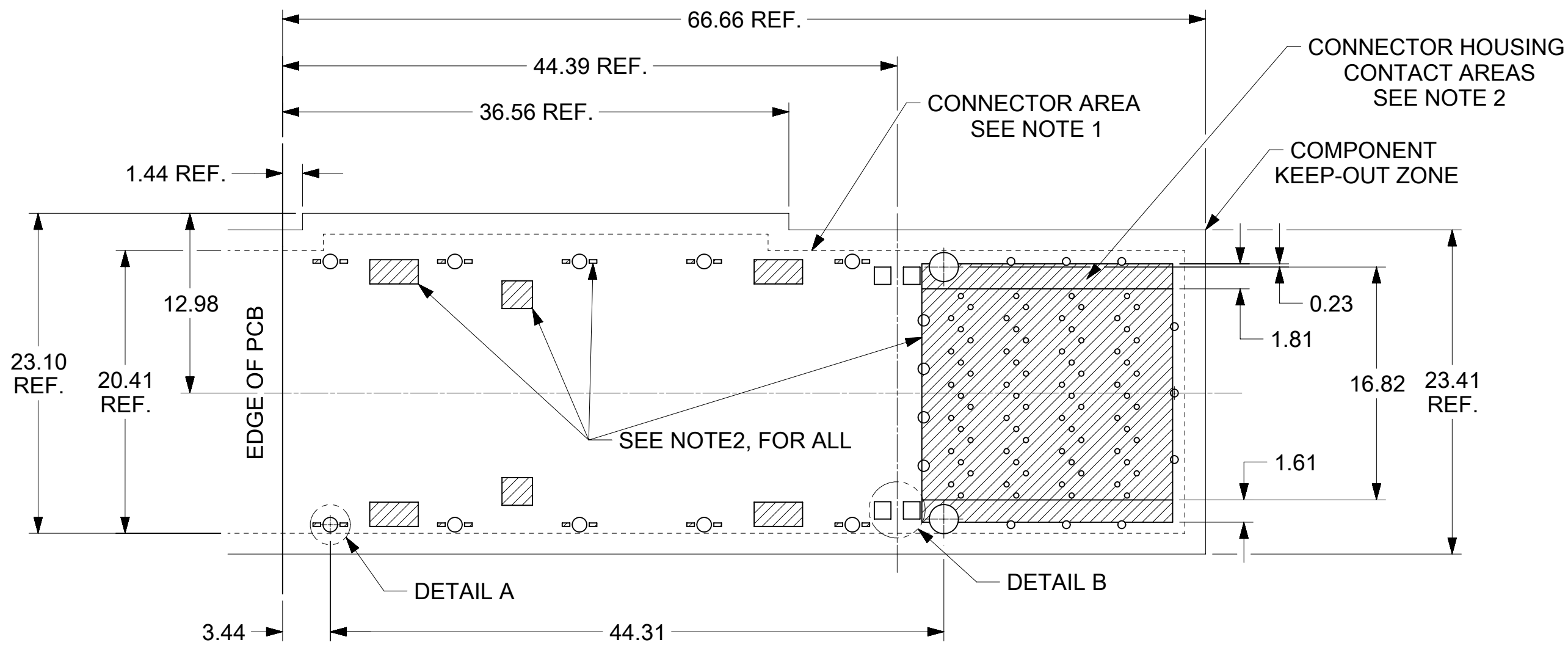
P/N: 1708794001
LEFT UPPER PORT
INDICATOR LIGHT PIPE



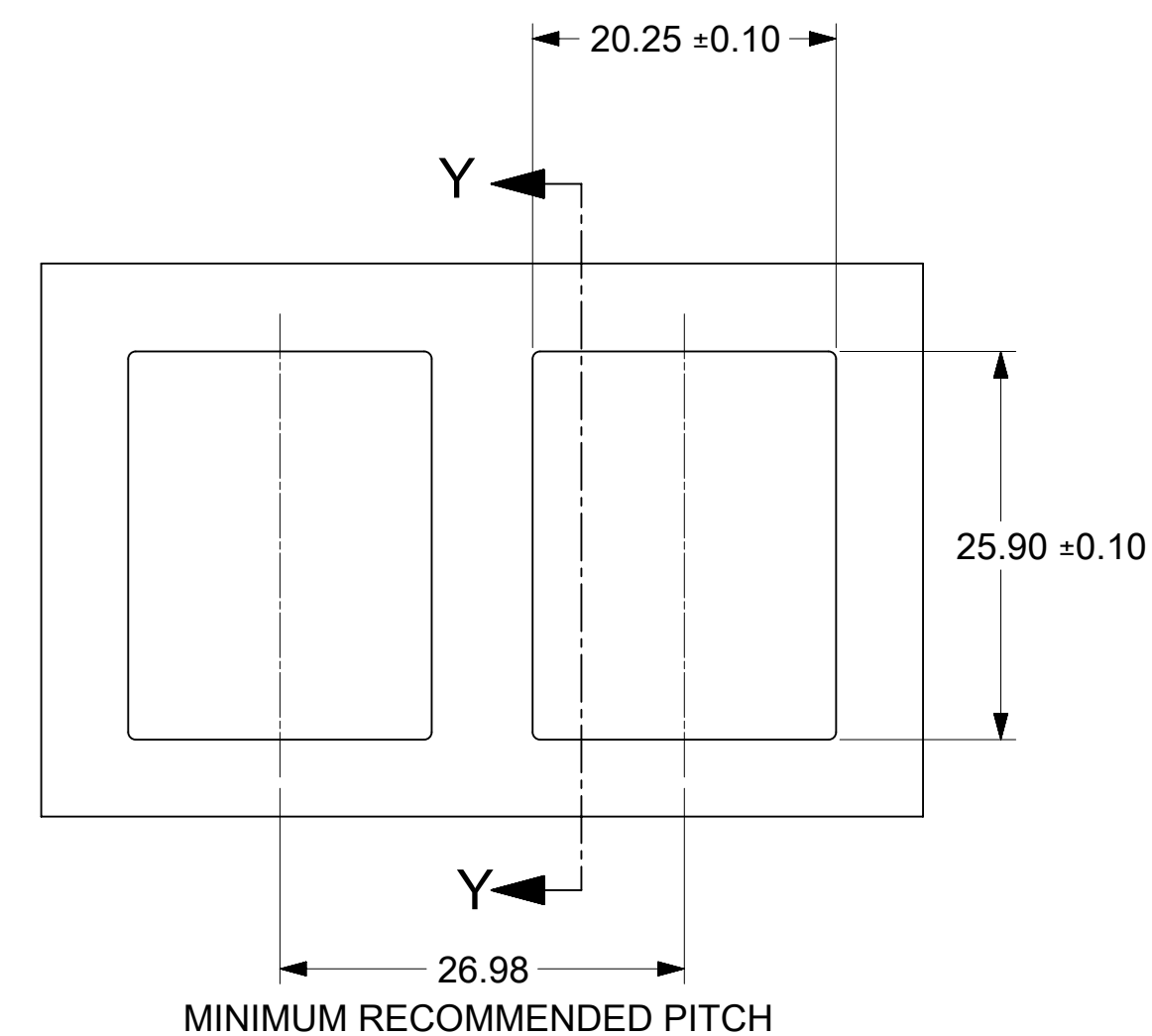
P/N: 1708794002
LEFT LOWER PORT
INDICATOR LIGHT PIPE



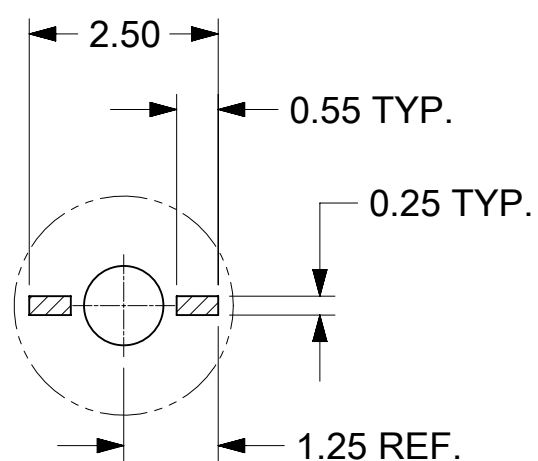
THIS DRAWING CONTAINS INFORMATION THAT IS PROPRIETARY TO MOLEX ELECTRONIC TECHNOLOGIES, LLC AND SHOULD NOT BE USED WITHOUT WRITTEN PERMISSION											
DIMENSION UNITS MM		SCALE 4:1		CURRENT REV DESC: OBSOLETE PART NUMBER AS PER #508521			molex				
GENERAL TOLERANCES (UNLESS SPECIFIED)				EC NO: 667392							
		MM	INCH	DRWN: ABHISP1 2021/04/29			STANDARD LENGTH TMC LOW PROFILE ASSEMBLY				
4 PLACES ±				CHK'D: GGA 2021/07/05			PRODUCT CUSTOMER DRAWING				
3 PLACES ±				APPR: GGA 2021/07/05			DOCUMENT NUMBER				
2 PLACES ± 0.13				INITIAL REVISION:			SD-170879-4000		DOC TYPE	DOC PART	REVISION
1 PLACE ± 0.25				DRWN: HAVERY 2014/11/06			PSD		001	A1	
0 PLACES ±				APPR: HAVERY 2014/11/06			MATERIAL NUMBER		CUSTOMER	SHEET NUMBER	
ANGULAR TOL ± 0.5°				THIRD ANGLE PROJECTION		DRAWING	SERIES	SEE TABLE	GENERAL MARKET	2 OF 5	
DRAFT WHERE APPLICABLE MUST REMAIN WITHIN DIMENSIONS				C-SIZE		170879					



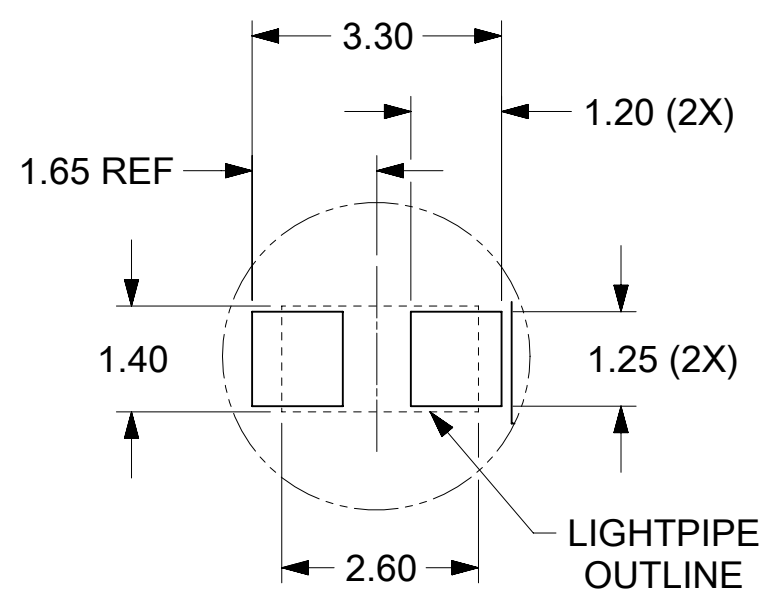
KEEP-OUT AREAS SHOWN BY CROSS HATCH COMPONENT SIDE



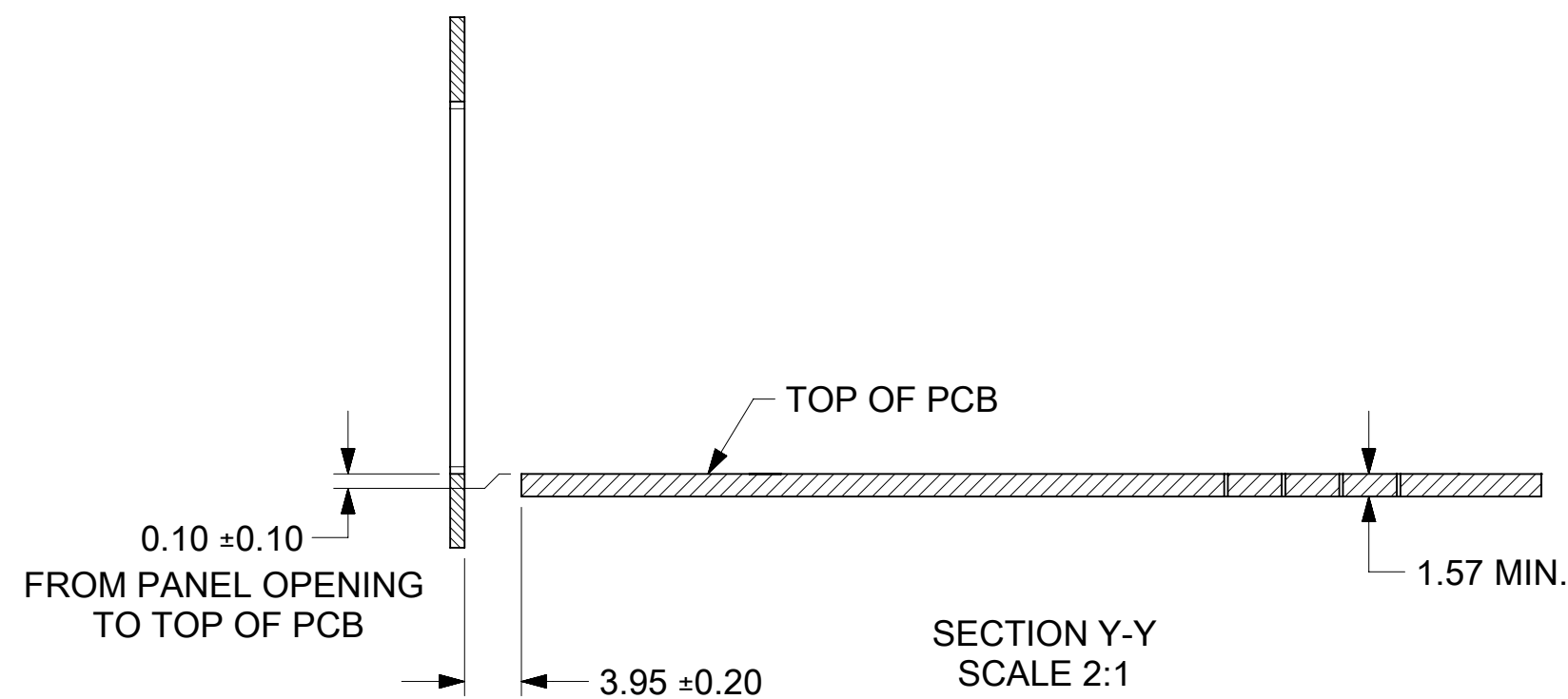
RECOMMENDED PANEL CUT-OUT SCALE 2:1



DETAIL A SCALE 10:1 (10 PLACES)



DETAIL B SCALE 10:1 LED PADS (2 PLACES)

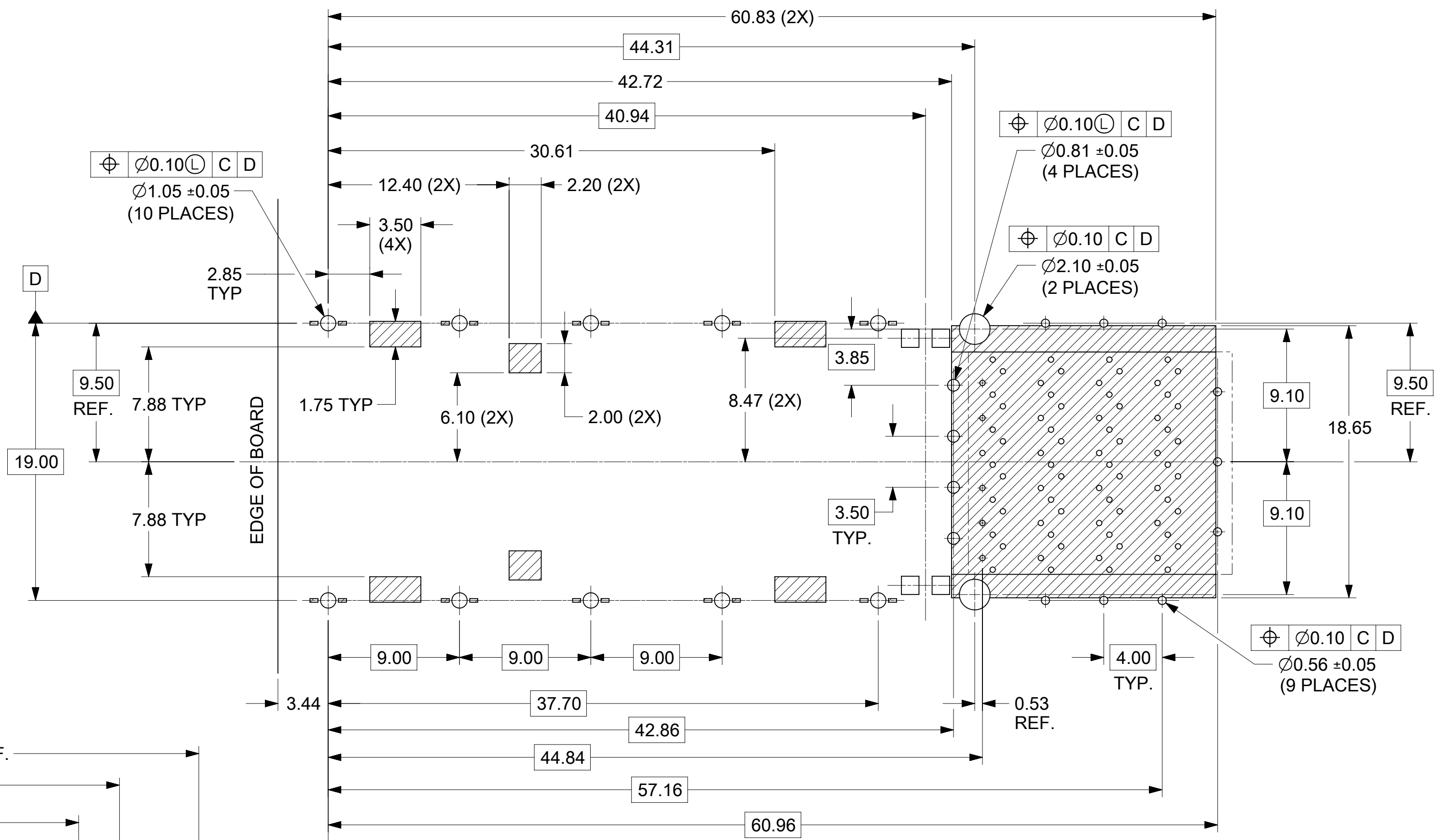


RECOMMENDED PANEL OPENING LOCATION FROM TOP OF PCB

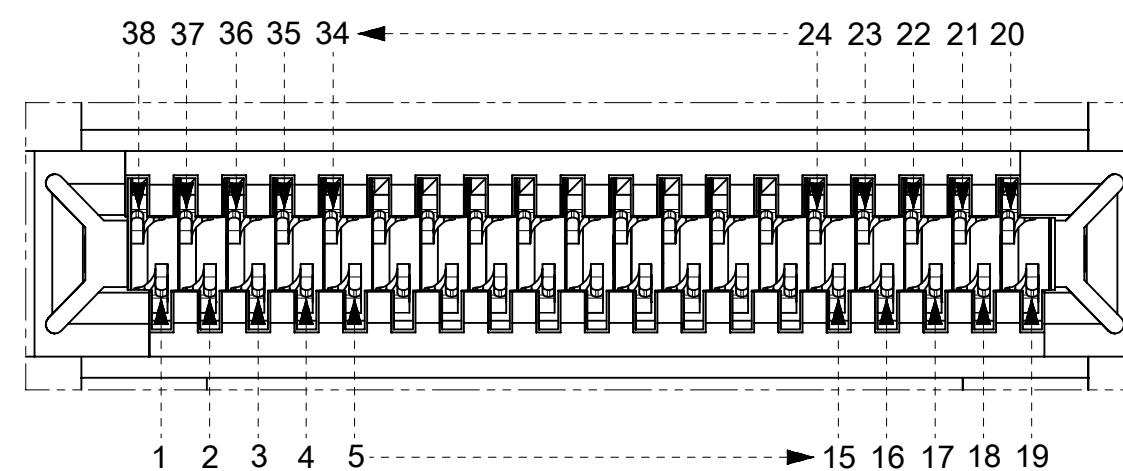
NOTES:

1. THE ENTIRE AREA UNDER THE CONNECTOR IS A KEEP OUT ZONE FOR COMPONENTS AND TRACES, TOP LAYER ONLY, EXCEPT FOR CHASSIS GROUND.
2. CROSS-HATCHED AREAS INDICATE PLACES WHERE THE PLASTIC HOUSING AND METAL CAGE MAY CONTACT PCB SURFACE. THESE AREAS ARE KEEP OUT ZONES. CROSS-HATCHED AREA UNDER THE CONNECTOR ARE TRACE AND VIA KEEP OUT AREAS FOR ALL LAYERS.
3. LED KEEP-IN ZONE DEFINES THE PHYSICAL SPACE ALLOWED FOR PLACEMENT OF SMD CHIP STYLE LED PACKAGING. KEEP-IN ZONE EXTENDS VERTICALLY TO 0.80mm ABOVE THE TOP SIDE OF BOARD.

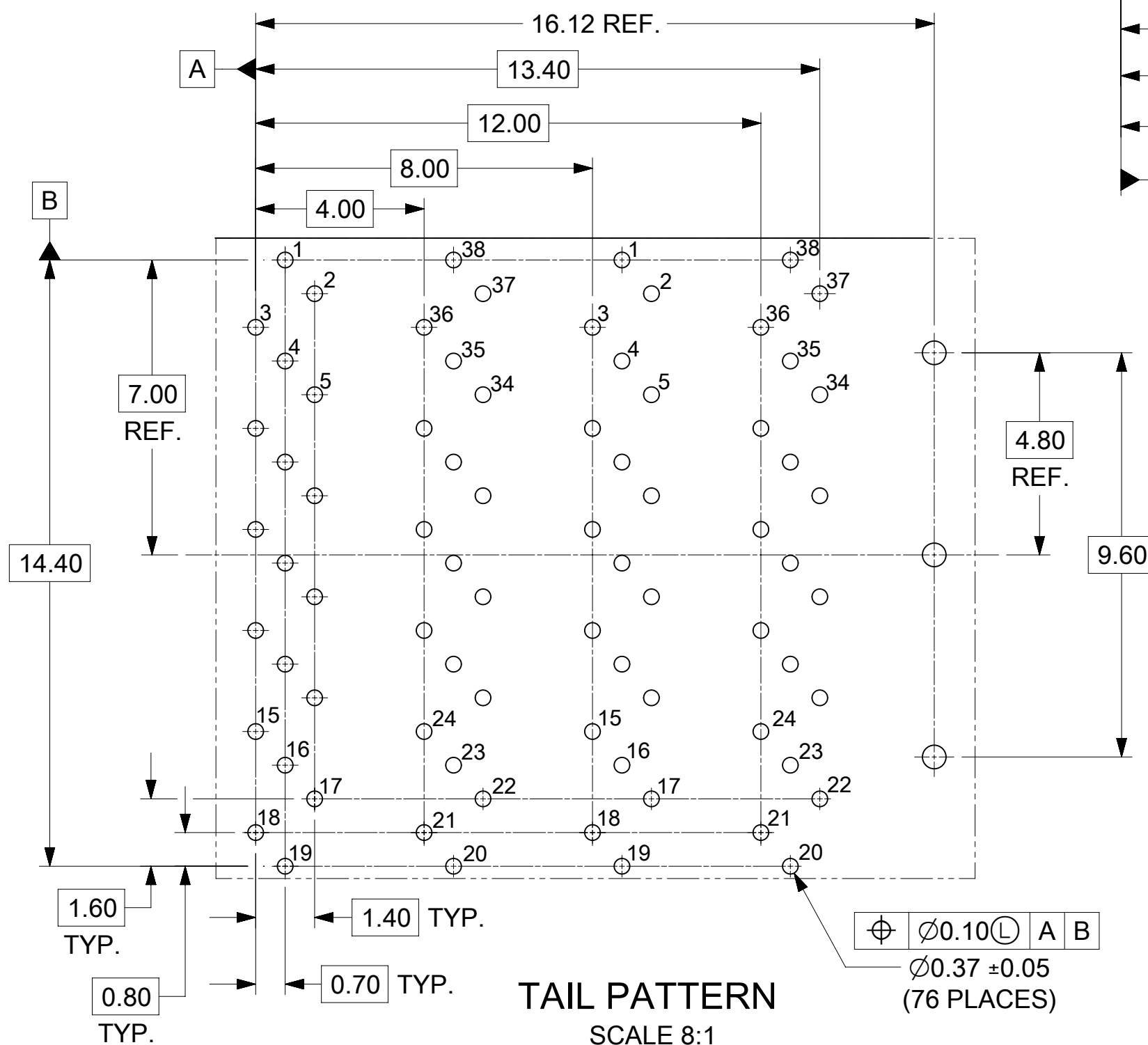
THIS DRAWING CONTAINS INFORMATION THAT IS PROPRIETARY TO MOLEX ELECTRONIC TECHNOLOGIES, LLC AND SHOULD NOT BE USED WITHOUT WRITTEN PERMISSION									
DIMENSION UNITS MM		SCALE 3:1		CURRENT REV DESC: OBSOLETE PART NUMBER AS PER #508521				molex	
GENERAL TOLERANCES (UNLESS SPECIFIED)				EC NO: 667392					
				4 PLACES ±		DRWN: ABHISP1		2021/04/29	
				3 PLACES ±		CHK'D: GGA		2021/07/05	
				2 PLACES ± 0.13		APPR: GGA		2021/07/05	
				1 PLACE ± 0.25		INITIAL REVISION:		DOCUMENT NUMBER	
				0 PLACES ±		DRWN: HAVERY		SD-170879-4000	
				ANGULAR TOL ± 0.5°		APPR: HAVERY		PSD 001 A1	
DRAFT WHERE APPLICABLE MUST REMAIN WITHIN DIMENSIONS		THIRD ANGLE PROJECTION		DRAWING		SERIES		MATERIAL NUMBER	
				C-SIZE		170879		SEE TABLE	
								CUSTOMER	
								GENERAL MARKET	
								SHEET NUMBER	
								3 OF 5	



RECOMMENDED PCB LAYOUT - COMPONENT SIDE SHOWN
 CROSS- HATCH AREAS INDICATE KEEPOUT ZONES



PIN-OUT TYPICAL FOR BOTH PORTS
 SCALE 8:1



TAIL PATTERN
 SCALE 8:1

THIS DRAWING CONTAINS INFORMATION THAT IS PROPRIETARY TO MOLEX ELECTRONIC TECHNOLOGIES, LLC AND SHOULD NOT BE USED WITHOUT WRITTEN PERMISSION									
DIMENSION UNITS		SCALE		CURRENT REV DESC: OBSOLETE PART NUMBER AS PER #508521					
MM		4:1							
GENERAL TOLERANCES (UNLESS SPECIFIED)									
		MM	INCH						
4 PLACES	±			EC NO: 667392					
3 PLACES	±			DRWN: ABHISP1 2021/04/29					
2 PLACES	±	0.13		CHK'D: GGA 2021/07/05					
1 PLACE	±	0.25		APPR: GGA 2021/07/05					
0 PLACES	±			INITIAL REVISION:					
ANGULAR TOL		± 0.5 °		DRWN: HAVERY 2014/11/06					
DRAFT WHERE APPLICABLE MUST REMAIN WITHIN DIMENSIONS		THIRD ANGLE PROJECTION		DRAWING		SERIES		MATERIAL NUMBER	
				C-SIZE		170879		SEE TABLE	
				CUSTOMER		DOC TYPE		DOC PART	
				GENERAL MARKET		PSD		001	
				SHEET NUMBER		REVISION		A1	
				4 OF 5					

molex

ZQSFP 2X1 SPRING FINGER
 STANDARD LENGTH TMC LOW PROFILE ASSEMBLY

PRODUCT CUSTOMER DRAWING

DOCUMENT NUMBER: SD-170879-4000
 DOC TYPE: PSD
 DOC PART: 001
 REVISION: A1