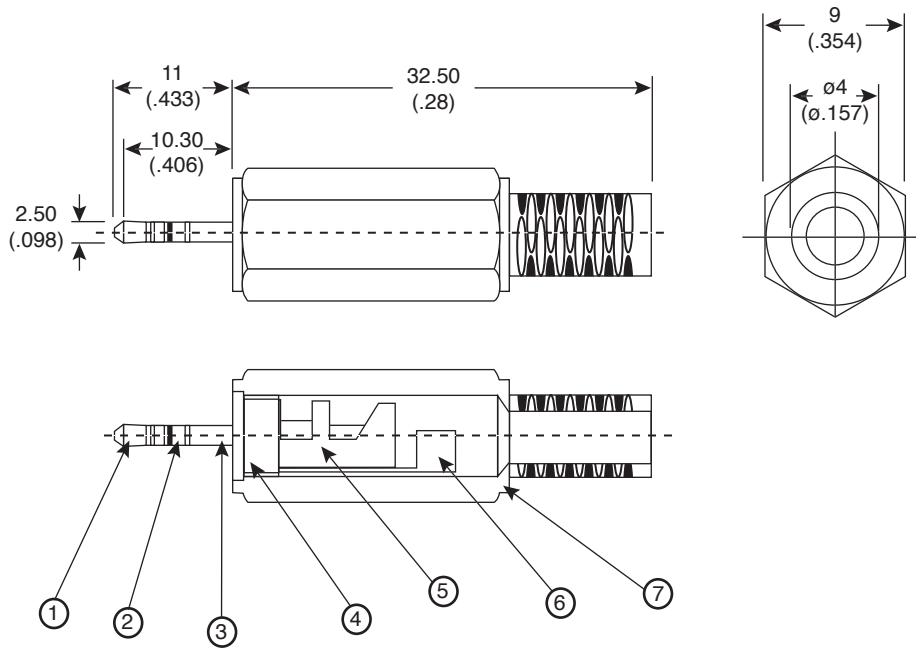


# 2.5mm Stereo Plug

171-0025-EX



2.5mm Stereo Plug



Dimensions: mm (In)

## SPECIFICATIONS

<b>Breakdown Voltage:</b>	500VAc for 1 Minute
<b>Insulation Resistance:</b>	100M $\Omega$ min. @ 500VDC
<b>Contact Resistance:</b>	50m $\Omega$ max.
<b>Tolerance:</b>	$\pm 0.5$
<b>Max Wire O.D.</b>	3.8mm
RoHS Compliant by Exemption	

## MATERIALS

No.	Part Name	Material	Finish
1	Contact A	Brass	Ni
2	Contact B	Brass	Ni
3	Contact C	Brass	Ni
4	Metal	Brass	Ni
5	Insulator	POM	---
6	Terminal	Brass	Ni
7	Cap	PE	---

Date Last Revised: 12-26-05

Available from Mouser Electronics  
1-800-346-6873  
www.mouser.com

KC-300882

171-0025-EX