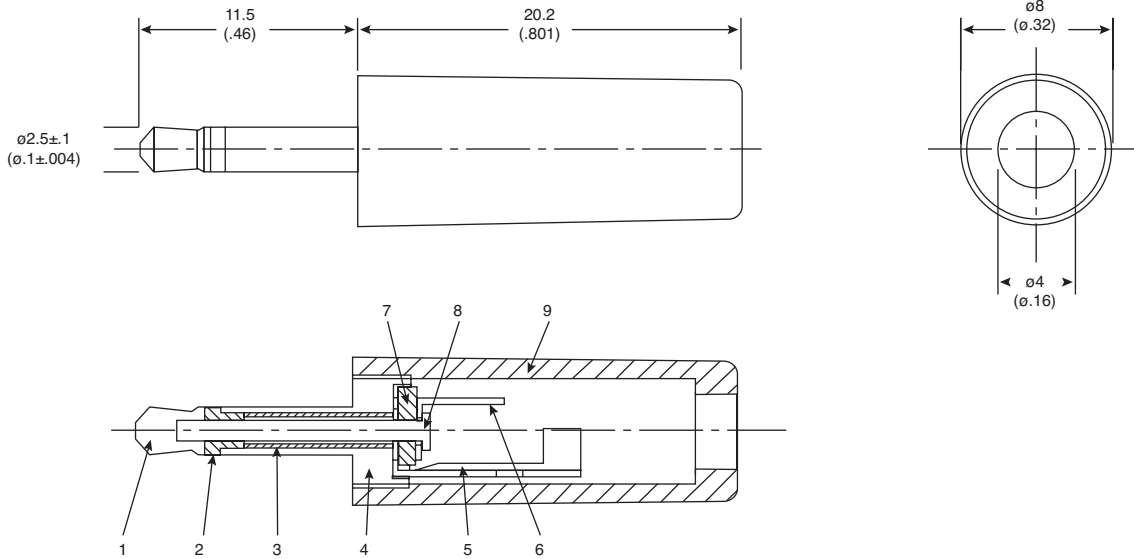


# 2.5mm Mono Plug

171-101A-EX



2.5mm Mono Plug



Dimensions: mm(In.)

## SPECIFICATIONS

Type:	2 pin standard lockable, chassis mount
Insulation Resistance:	100 MΩ min. @ 100VDC
Dielectric Strength:	500VAC for 1 min.

## MATERIAL SPECIFICATIONS

Part Name	Material	Finish
1: Tip	Brass	Ni
2: Insulator A	Ebonite	
3: Insulator Tube	PVC	
4: Sleeve	Brass	Ni
5: Terminal A	Steel	Cu-Ni
6: Terminal B	Brass	Ni
7: Insulator B	Phoenol	
8: Nail	Steel	Cu-Ni
9: Handle	ABS	

RoHS Compliant

Date Last Revised: 10-04-06

Available from Mouser Electronics  
1-800-346-6873  
www.mouser.com

KC-301076

171-101A-EX