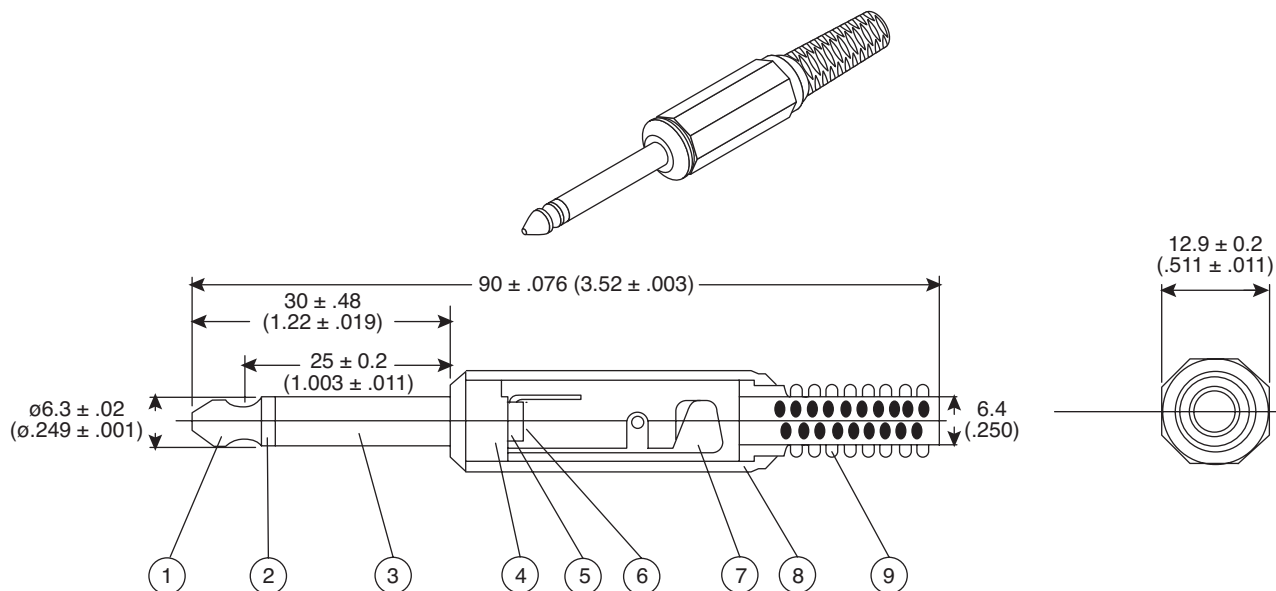


# Non-Shielded 1/4" Mono Phone Plugs

171-1203-EX, 171-1204-EX, 171-1205-EX



Non-Shielded 1/4" Mono Phone Plugs



## DIMENSIONS IN.

Item No.	Part	Material	Finish
1	Tip Contact	Brass	Ni-3
2	Insulator B	ABS Resin	
3	Sleeve Contact	Brass	Ni-3
4	Insulator A	ABS Resin	
5	Terminal A	Brass	Ni-3
6	Pin	Steel	Ni-3
7	Terminal C	Steel	Ni-3
8	Cap Insulator	PP Resin	
9	Strain Relief	PVC Resin	

## SPECIFICATIONS

<b>Breakdown Voltage:</b>	500VDC for 1 minute
<b>Insulation Resistance:</b>	100MΩ min. @ 500VDC
<b>Contact Resistance:</b>	50mΩ min. @ 500VDC
<b>Temperature Rating:</b>	70°C
<b>Color:</b>	red (171-1203-EX), black (171-1204-EX), gray (171-1205-EX)
<b>Unshielded</b>	

RoHS Compliant by Exemption

Date Last Revised: 12/24/05

Available from Mouser Electronics  
1-800-346-6873  
www.mouser.com

KC-300893

171-1203-EX, 171-1204-EX, 171-1205-EX