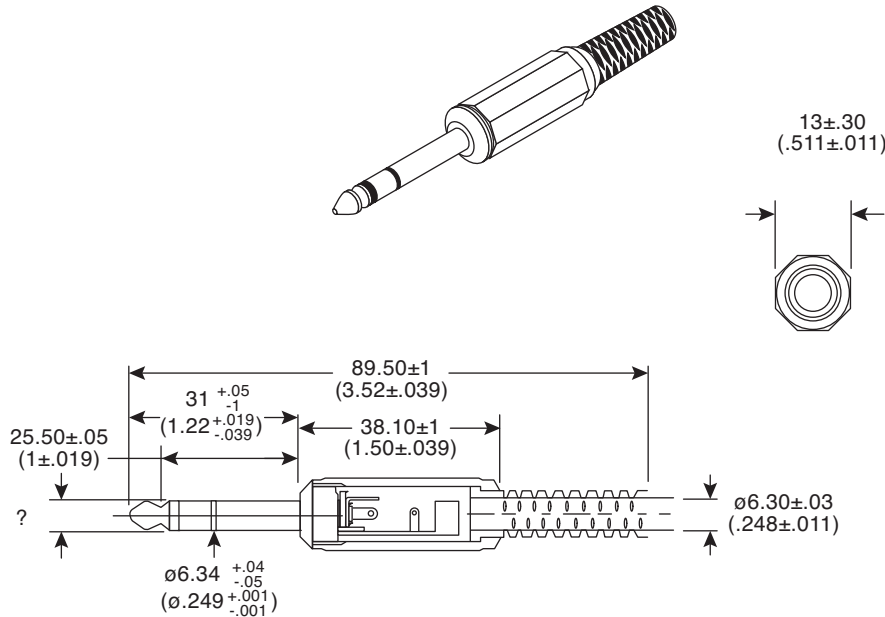


1/4" Stereo Phone Plugs

171-1303-EX, 171-1304-EX, 171-1305-EX



1/4" Stereo Phone Plugs



DIMENSIONS mm (in.)

SPECIFICATIONS	
Type:	1/4" unshielded stereo phone
Breakdown Voltage:	500VDC for 1 minute
Insulation Resistance:	50MΩ min. @ 500VDC
Contact Resistance:	50mΩ max.
Contacts, Terminal A:	nickel plated brass
Insulator A and B:	ABS Plastic
Pin and Terminal C:	nickel plated steel
Cap Insulator:	polypropylene plastic
Strain Relief:	PVC plastic
Color:	red (171-1303-EX), black (171-1304-EX), gray (171-1305-EX)
RoHS Compliant by Exemption	

171-1303-EX, 171-1304-EX, 171-1305-EX

Date Last Revised: 10-20-08

Available from Mouser Electronics
1-800-346-6873
www.mouser.com

KC-300894