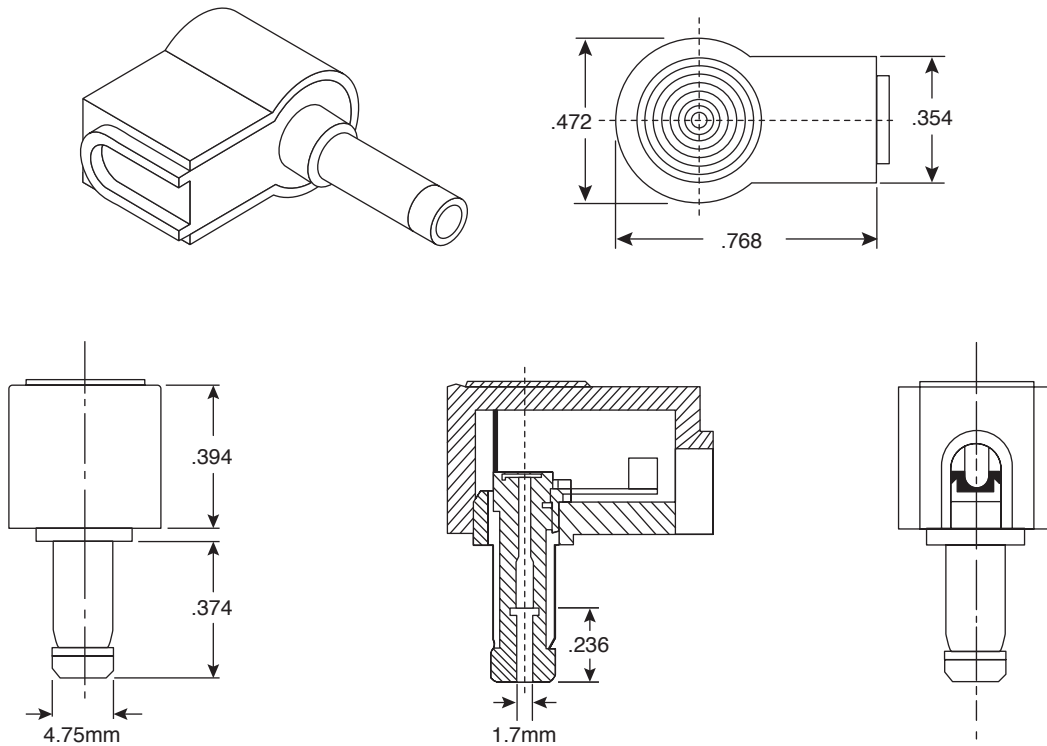


# 1.7mm DC Power Plug (R/A)

171-3222-EX



1.7mm DC Power Plug (R/A)



Dimensions: In.  
(except where noted)

| SPECIFICATIONS              |  |
|-----------------------------|--|
| Type:                       | right angle 1.7mm DC power solder terminal |
| Color:                      | black with white tip                       |
| Sleeve terminals:           | nickel plated brass                        |
| Insulator A:                | poly acetal                                |
| Insulator B:                | polycarbonate                              |
| Cap:                        | polypropylene                              |
| RoHS Compliant by Exemption |  |

Date Last Revised: 12-9-05

Available from Mouser Electronics  
1-800-346-6873  
www.mouser.com

KC-300912

171-3222-EX