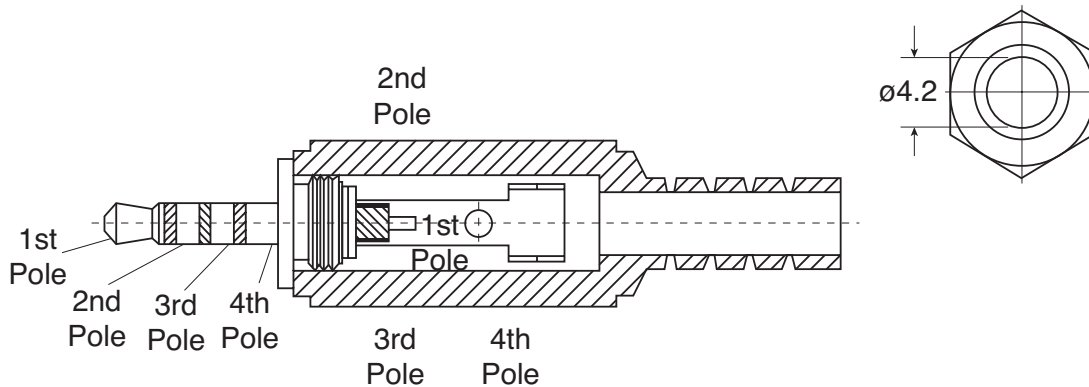
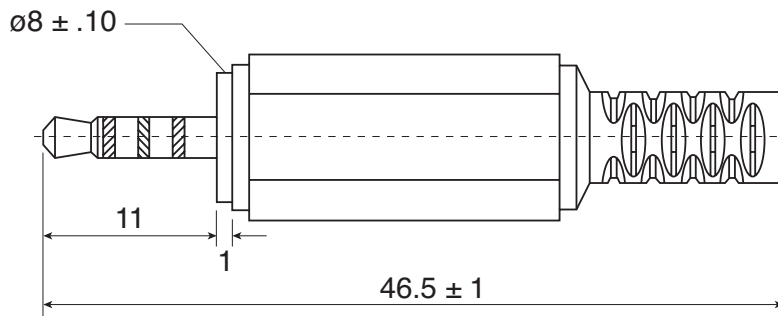
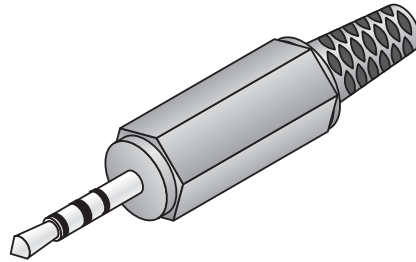


**DIMENSIONS: mm**



**SPECIFICATIONS:**

- Insulation Resistance: 50MΩ 100VDC min.
- Dielectric strength: 200VAC for 1 minute

**Note:** RoHS Compliant by Exemption

**Available from Mouser Electronics**  
**1-800-346-6873 / [www.mouser.com](http://www.mouser.com)**

KC-301089