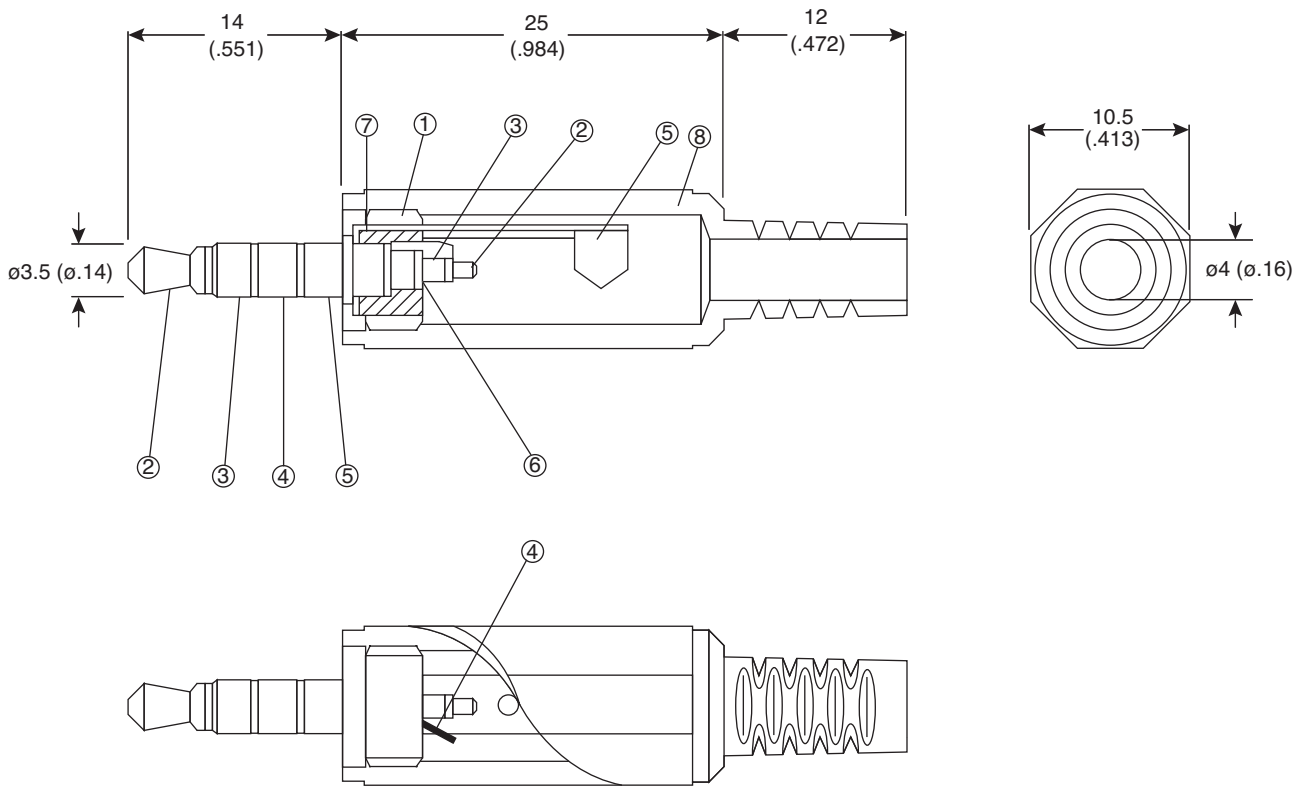


3.5mm 4 Cond Plug

171-7435-EX



3.5mm 4 Cond Plug



DIMENSIONS: mm (in.)

SPECIFICATIONS	
Handle:	Polyethylene
Contacts:	Nickel plated brass
Color:	Black
Insulator:	PBT G15%
Recommended Wire:	28 AWG
Insulation resistance:	100 Megaohm min. @ 500VDC
Dielectric Strength:	500VAC (for one minute)
Mating jacks:	161-6435-EX 161-5435-EX 161-7900-EX
RoHS Compliant by Exemption	

	Part Name	Material	Finish
1	Metal	BS	NI
2	Chip Terminal	BS	NI
3	Terminal 1	BS	NI
4	Terminal 2	BS	NI
5	Terminal 3	ST	NI
6	Plug Insulator	POM	-
7	Insulator	PBT G15%	-
8	Handle	PE	-

171-7435-EX

Date Last Revised: 8-4-10

Available from Mouser Electronics
1-800-346-6873
www.mouser.com

KC-300914