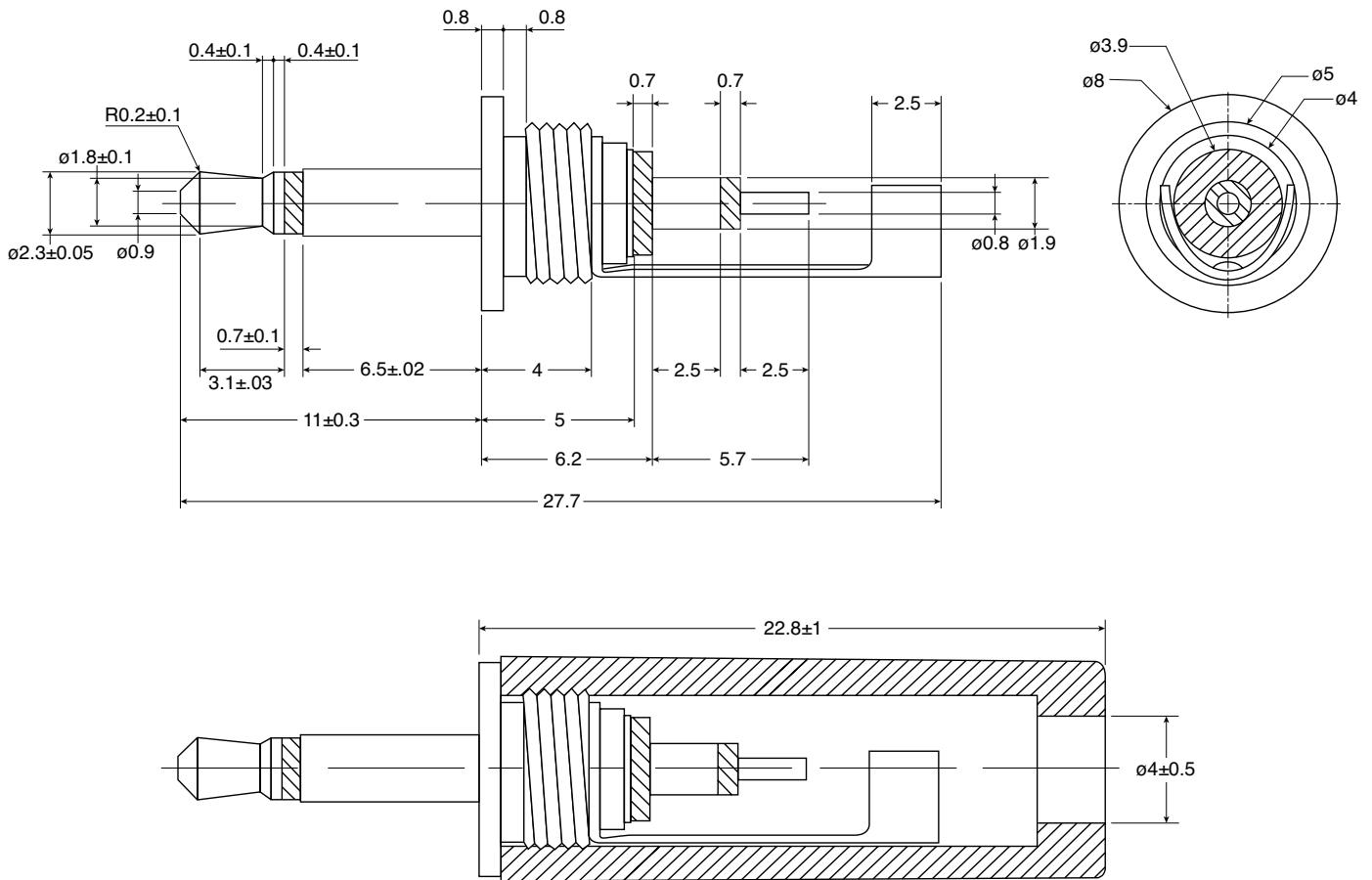


DIMENSIONS: mm



Specifications:

- Insulation Resistance: 100M Ω min. @ 500VDC
- Dielectric Strength: 500VAC for 1min.

Note: RoHS Compliant by Exemption

Available from Mouser Electronics
1-800-346-6873 / www.mouser.com

KC-301335