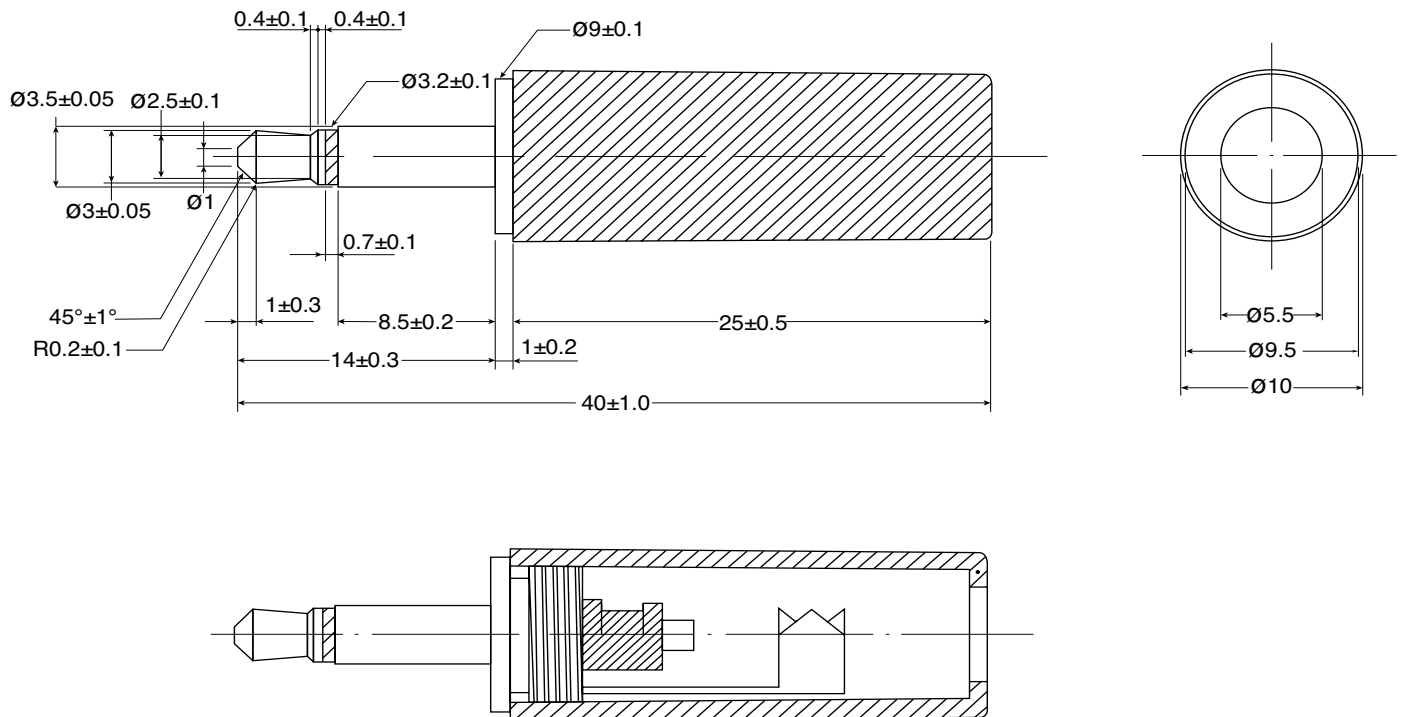


**DIMENSIONS: mm**



**Specifications:**

- Rated Voltage : 12 VDC
- Rated Current : 2A
- Operating temperature and humidity range :  
-25°C to +70°C, 85%RH or less.

**Note:** RoHS Compliant by Exemption