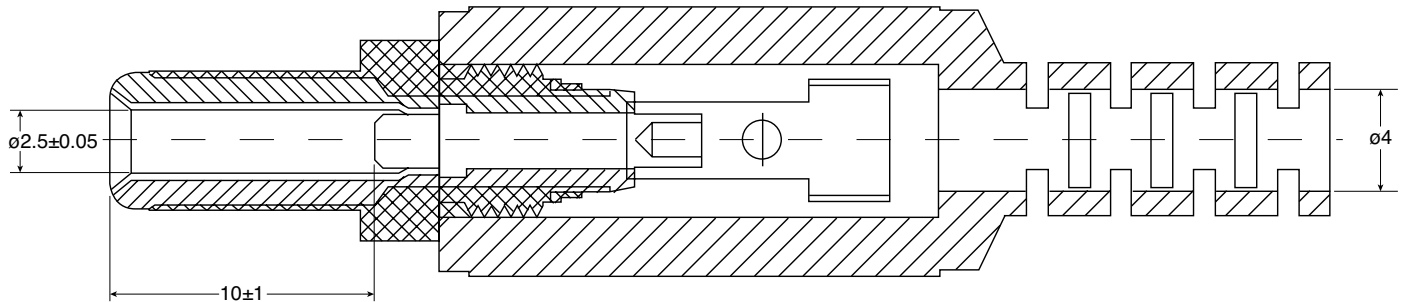
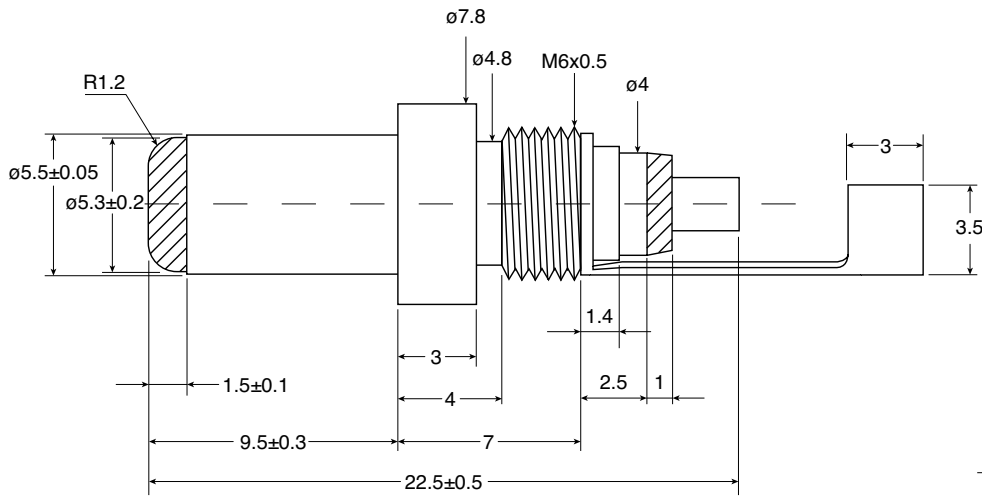


**DIMENSIONS: mm**



**Note:** RoHS Compliant by Exemption

**Available from Mouser Electronics**  
**1-800-346-6873 / [www.mouser.com](http://www.mouser.com)**

KC-301366