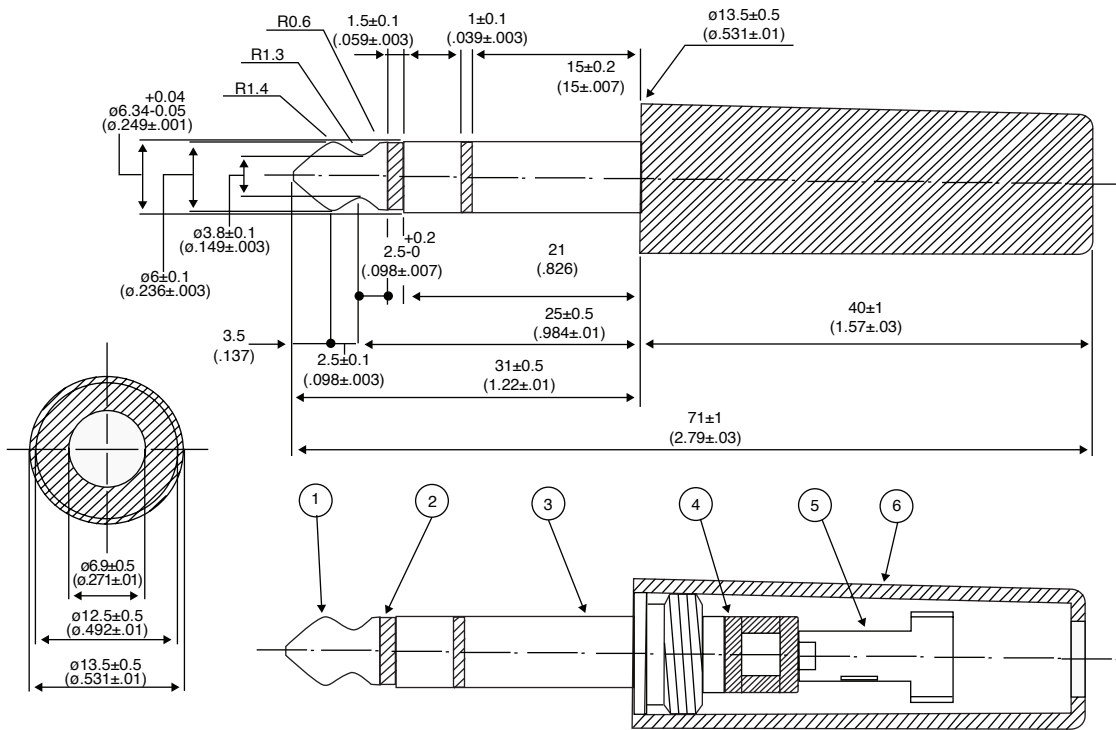


Non-Shielded 1/4" Plug

171-PA62111-1-E



Non-Shielded 1/4" Plug



Dimensions: mm (in.)

MATERIAL SPECIFICATIONS		
1	Brass	Nickel
2	A.B.S.	Black
3	Brass	Nickel
4	A.B.S.	Black
5	Brass	Nickel
6	A.B.S.	Black
RoHS Compliant by Exemption		

171-PA62111-1-E

Date Last Revised: 03/16/07

Available from Mouser Electronics
1-800-346-6873 / www.mouser.com

KC-301133

Specifications are subject to change without notice. No liability or warranty implied by this information. Environmental compliance based on producer documentation.