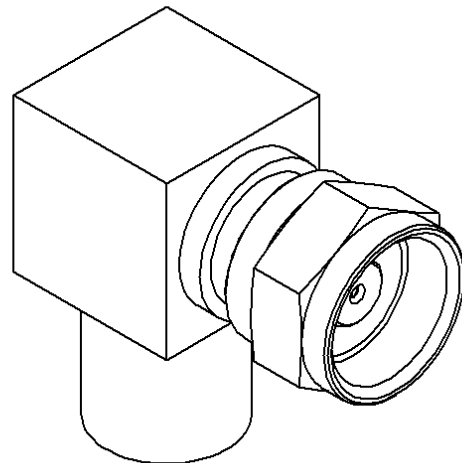
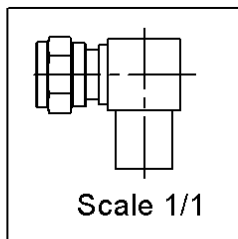
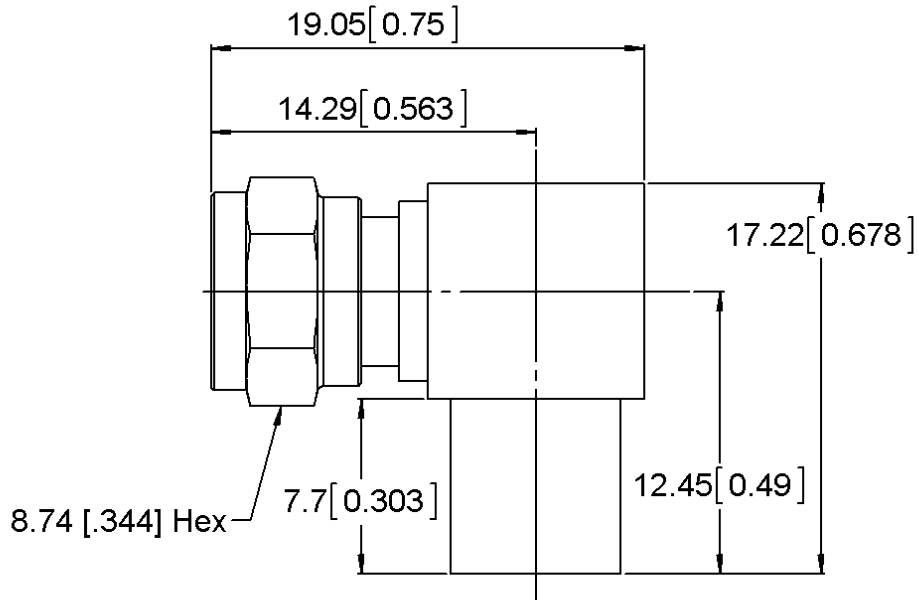
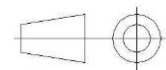


PAGE 1/2	ISSUE 08-06-15A	SERIES 75 OHM	PART NUMBER 1715-1521-007
----------	-----------------	---------------	---------------------------



All dimensions are in mm.



COMPONENTS	MATERIALS	PLATING (μm)
Body	<b>BRASS</b>	<b>GOLD OVER NICKEL</b>
Center contact	<b>BERYLLIUM COPPER</b>	<b>GOLD OVER NICKEL</b>
Outer contact		
Insulator	<b>PTFE</b>	
Gasket		
Others parts	<b>BRASS</b>	<b>GOLD OVER NICKEL</b>
-	-	-
-	-	-

PAGE 2/2	ISSUE <b>08-06-15A</b>	SERIES <b>75 OHM</b>	PART NUMBER <b>1715-1521-007</b>
----------	------------------------	----------------------	----------------------------------

**PACKAGING**

Standard	Unit	Other
<b>100</b>	<b>Contact us</b>	<b>Contact us</b>

**ELECTRICAL CHARACTERISTICS**

Impedance	<b>75</b>	$\Omega$
Frequency	<b>0-2</b>	GHz
VSWR	<b>+ 0.0000</b>	x F(GHz) Maxi
Insertion loss	<b>0.60</b>	$\sqrt{F}$ (GHz) dB Maxi
RF leakage	<b>- ( 60</b>	- F(GHz)) dB Maxi
Voltage rating	<b>165</b>	Veff Maxi
Dielectric withstanding voltage	<b>2000</b>	Veff mini
Insulation resistance	<b>1000</b>	M $\Omega$ mini

**ENVIRONMENTAL**

Operating temperature		$^{\circ}\text{C}$
Hermetic seal	<b>NA</b>	Atm.cm3/s
Panel leakage	<b>NA</b>	

**MECHANICAL CHARACTERISTICS**

Center contact retention		
Axial force – Mating End		N mini
Axial force – Opposite end		N mini
Torque		N.cm mini
Recommended torque		
Mating		N.cm
Panel nut		N.cm
Mating life	<b>500</b>	Cycles mini
Weight	<b>7.2100</b>	g

**SPECIFICATION**

**OTHER CHARACTERISTICS**

Assembly instruction:

Others: