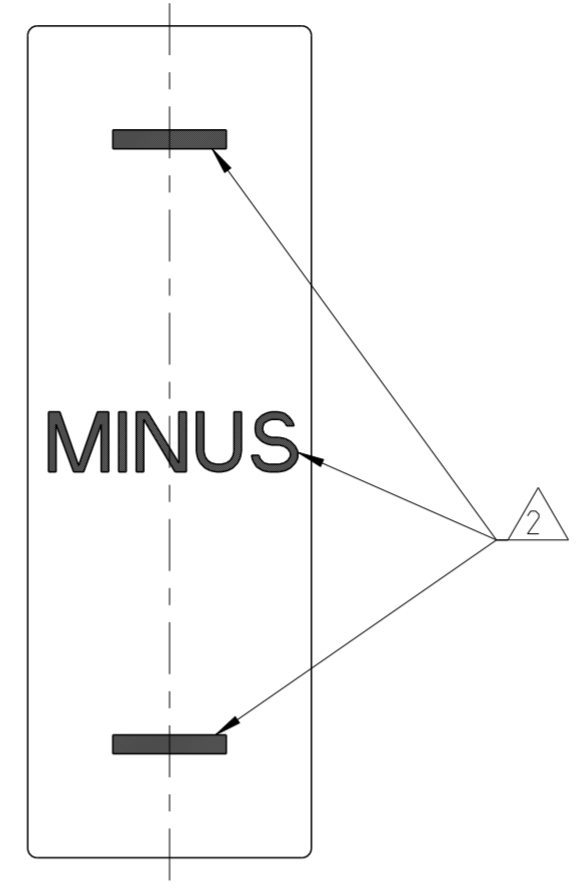
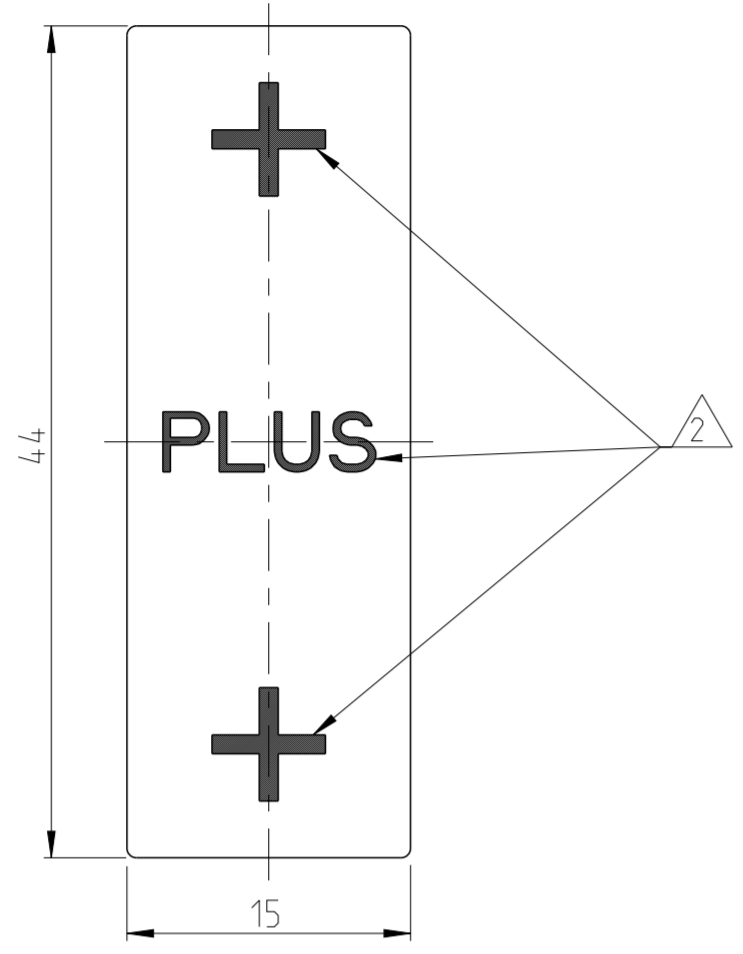


THIS DRAWING IS UNPUBLISHED  
 VERTRÄULICHE UNVERÖFFENTLICHTE ZEICHNUNG  
 © COPYRIGHT 2003 BY TE CONNECTIVITY  
 RELEASED FOR PUBLICATION  
 FREI FUER VERÖFFENTLICHUNG  
 08-AUG-2003  
 ALL RIGHTS RESERVED.  
 ALLE RECHTE VORBEHALTEN  
 MATED WITH  
 PASSEND ZU:

LOC	DIST	REVISIONS ÄNDERUNGEN			
P	LTR	DESCRIPTION BESCHREIBUNG	DATE	DWN	APVD
A1	-				
		PROJEKT NR.: EGLPC00054			
	A4	DRAWING LOGO CHANGED	04 JUN2010	RPT	AW
	B1	NOTE 1 (MATERIAL) REWORKED PER PCN E-11-009702	11MAY2011	ER	BW
	C1	MATERIAL OF INSTANCES -3 AND -4 ARE CHANGED	02NOV2012	KR	T.J
	D1	NEW INSTANCES -5 AND -6 ARE ADDED	26APR2013	KR	TD



- 1 MATERIAL: POLYESTER, UL LISTED PER PGDQ2, SUITABLE FOR OUTDOOR USE WHEN AFFIXED TO NYLON OR POLYCARBONATE.
- 2 CHARACTER COLOUR BLACK
- 3 LABEL COLOUR WHITE MAT
- 4 REAR SIDE SELF ADHESIVE
- 5 PACKAGING SEE TABLE
- 6 LABEL COLOUR RED
- 7 LABEL COLOUR BLUE
- 8 CHARACTER COLOUR WHITE



-1 AND -3 AS SHOWN

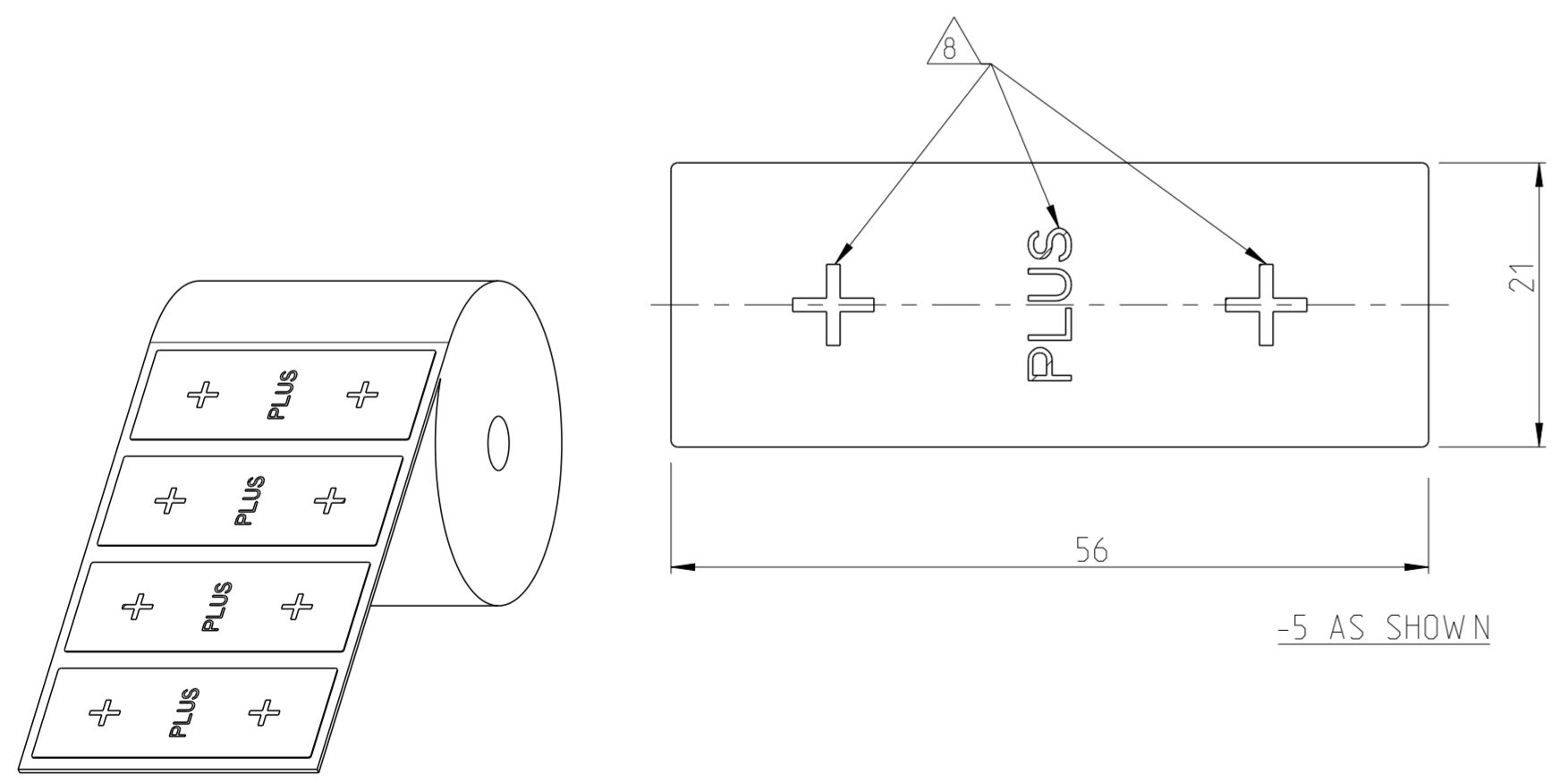


-2 AND -4 AS SHOWN

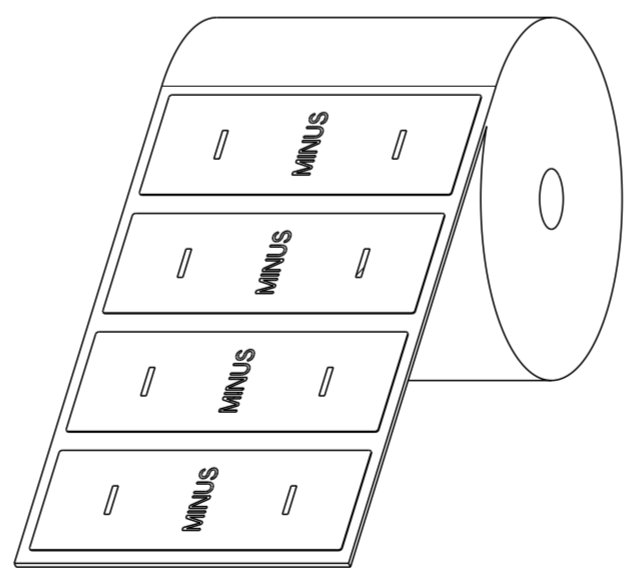
SCALE 1:1 / M 1:1

SCALE 1:1 / M 1:1

5000 LABEL	ON REEL	MINUS	-6
5000 REEL	ON REEL	PLUS	-5
100 LABEL	10 LABEL PER SHEET 10 SHEETS IN A BAG	MINUS	-4
100 LABEL	10 LABEL PER SHEET 10 SHEETS IN A BAG	PLUS	-3
10000 LABEL	ON REEL	MINUS	-2
10000 LABEL	ON REEL	PLUS	-1
QUANTITY	FORM	PRINTING	PART NO.
5 PACKAGING			



-5 AS SHOWN



-6 AS SHOWN

THIS DRAWING IS A CONTROLLED DOCUMENT.

DWN E. WERNER 07-AUG-03	 TE Connectivity LABEL ETIKETT	SIZE	CAGE CODE	DRAWING NO. ZEICHNUNGS-NR.	RESTRICTED TO NUR FUER	
CHK H. SCHERER 07-AUG-03		A2	00779	C-1718078	-	
APVD G. FELDMAYER 07-AUG-03		Customer Drawing		/KUNDENZEICHNUNG	SCALE MASSSTAB: 1:5	SHEET BLATT 1 OF 1
PRODUCT SPEC PRODUKTSPEZ. -					REV 01	
APPLICATION SPEC VERARBEITUNGSSPEZ. -						
MATERIAL						