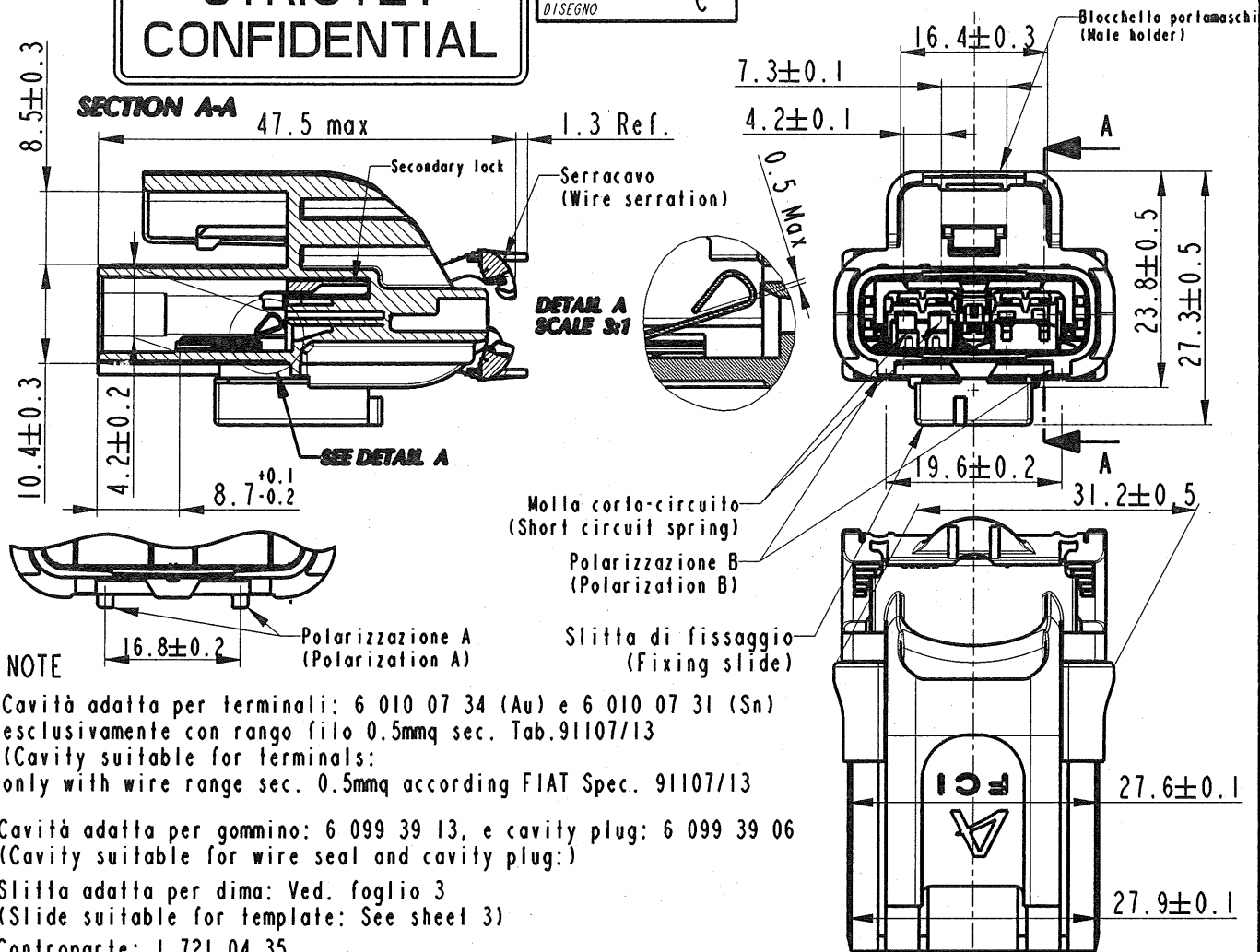


**STRICTLY
CONFIDENTIAL**

DRAWING NUMBER NUMERO DISEGNO	FSA 309657	REVISION REVISIONE	C	SHEET FOGLIO	1/3	APPROVAL LEVEL LIV. DI APPROVAZIONE	-
DRAWING DISEGNO	C						



NOTE

Cavità adatta per terminali: 6 010 07 34 (Au) e 6 010 07 31 (Sn) esclusivamente con rango filo 0.5mmq sec. Tab.91107/13
 (Cavity suitable for terminals: only with wire range sec. 0.5mmq according FIAT Spec. 91107/13)

Cavità adatta per gommino: 6 099 39 13, e cavity plug: 6 099 39 06
 (Cavity suitable for wire seal and cavity plug:)

Slitta adatta per dima: Ved. foglio 3
 (Slide suitable for template: See sheet 3)

Controparte: I 721 04 35
 (Counterpart: I 721 04 35)

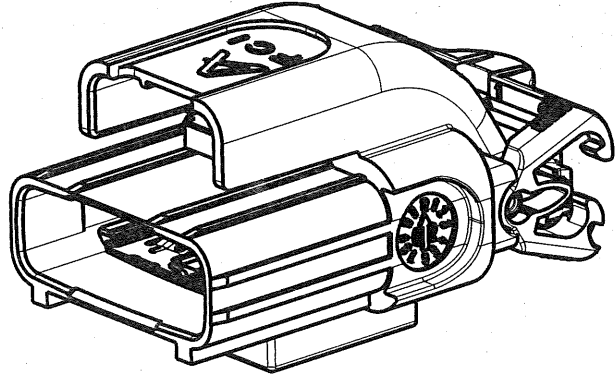
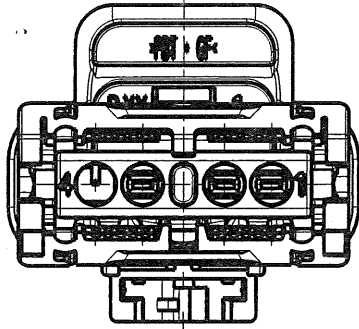
CONTROPARTE (COUNTERPART)	
17210435	10848166

14-07742	23-07-2014	C	ADDED PART NUMBER DELPHI AND UPDATED FRAME	F.G.	M.C.		
13-01227	09-01-2014	B	Add Dimension of shorting clip	F.G.	M.C.		
13-00282	07-03-2013	A	Updated format and dimension of short clip position	F.G. G.B.	M.C.		
42-07	18-05-2007	06	Chiuso cav.4 nelle versioni arancio Ref. ECN	D.T. M.C.			
64-06	04-10-2006	05R	Released for Production doesn't require Quality Doc Updating	D.T. M.C.			
	11-06-2004	05	Modificato quote secondo rilievi	D.T. G.S.			
	04-05-2004	04	Aggiornato disegno	D.T. G.S.			
	04-11-2003	03	Aggiornato disegno	R.R. P.C.B.			
ECN-NO. NUMERO. -ECH	DATE DD/ MM / YY DATA	REVISION REVISIONE	POSITION POSIZIONE	CHANGE DESCRIPTION DESCRIZIONE MODIFICA	DRAWN BY DISEGNATORE	CHK. BY CONTROLLATO	APPR. BY APPROVATO

PRODUCT SPEC. SPEC. DI PRODOTTO	PACKAGING SPEC. SPEC. DI IMBALLAGGIO	APPLICATION SPEC. SPEC. DI APPLICAZIONE	COPYRIGHT DELPHI CORPORATION AND/OR ITS AFFILIATES. ALL RIGHTS RESERVED. REVISED THIS DRAWING IS THE PROPERTY OF DELPHI CORPORATION. THE REPRODUCTION, DISTRIBUTION AND UTILIZATION OF THIS DOCUMENT OR ITS RELATED CAD MATH DATA, AS WELL AS COMMUNICATION OF ANY CONTENT TO OTHERS, WITHOUT EXPRESS AUTHORIZATION IS PROHIBITED.			
TOLERANCES TOLLERANZE ± 0.3 / ± 2'		MATERIAL : MATERIALE : SEE TABLE	SURFACE FINISH FINITURA SUPERFICIALE		DELPHI DELPHI PACKARD ELECTRICAL/ELECTRONIC ARCHITECTURE TORINO, ITALY	CAD SYSTEM pro / eag.
COUNTERPART Nr. CONTROPARTE Nr. SEE NOTE		COLOUR : COLORE : SEE TABLE	TOOL NO. -		C	DWG SIZE FORMATO A4
DO NOT SCALE DRAWING DISEGNO FUORI SCALA		LOC. CODE NAZIONALITA' IT	ISO PROJECTION PROIEZIONE ISO		DIMENSION IN MILLIMETERS DIMENSIONI IN MILLIMETRI	SHEET FOGLIO 1 of 1 di 3
DRAWN BY DISEGNATORE	DATE DATA	NAME NOME	TITLE DESCRIZIONE	DRAWING NUMBER NUMERO DISEGNO	SHEET FOGLIO	
CHECKED BY CONTROLLATO	12-03-03	G.B.	CONN. PORTAMASCHI 4 VIE AIR BAG CON SLITTA INTEGRATA I MOLLA CORTOCIRCUITO (4W M.H. WITH SLIDE I SHORT CIRCUIT SPRING)	FSA 309657	FSA 309657	
APPROVED BY APPROVATO	12-03-03	P.C.B.	ESR NO. NUMERO ESR	CAT. NO. NUMERO CAT.	SEE TABLE SHEET 2	SCALE SCALA 1:3:1

**STRICTLY
CONFIDENTIAL**

DRAWING NUMBER NUMERO DISEGNO	FSA 309657	REVISION REVISIONE	C	SHEET FOGLIO	2/3	APPROVAL LEVEL LIV. DI APPROVAZIONE	-
DRAWING DISEGNO	C						



POL.	Blocchetto portamaschi (Male holder)	Cavità aperte (Open cavities)	Secondary lock	Molla corto_circ. (Short circuit spring)	Serracavo (Wire serr.)	DESCRIZIONE (Description)
	PBT		PA 6.6	Lega di rame (Copper alloy)	PBT	MATERIALE (Material)
			Viola (Violet)	Rivestimento Au (Au surface)	Nero (Black)	COLORE (Colour)
A	Polariz. A Col. Giallo (Yellow)	-				PART NUMBER
B	Polariz. B Col. Arancione (Orange)	1, 2, 3		1 721 04 36		

ECN-NO. NUMERO -ECN	DATE DD / MM / YY DATA	REVISION REVISIONE	POSITION POSIZIONE	CHANGE DESCRIPTION DESCRIZIONE MODIFICA	DRAWN BY DISEGNATORE	CHK. BY CONTROLLATO	APPR. BY APPROVATO
14-07742	23-07-2014	C		ADDED PART NUMBER DELPHI AND UPDATED FRAME	F.G.		M.C.
13-01227	09-01-2014	B		Add dimension of shorting clip	F.G.		M.C.
13-00282	07-03-2013	A		Updated format and dimension of short clip position	F.G.	G.B.	M.C.
42-07	18-05-2007	06		Chiuso cav.4 nelle versioni arancio Ref. ECN	D.T.	M.C.	
64-06	04-10-2006	05R		Released for production does't require Quality Doc Updating	D.T.	M.C.	
	11-06-2004	05		Modificato quote secondo rilievi	D.T.	G.S.	
	04-05-2004	04		Aggiornato disegno	D.T.	G.S.	
	04-11-2003	03		Aggiornato disegno	R.R	P.C.B.	

PRODUCT SPEC. SPEC. DI PRODOTTO	PACKAGING SPEC. SPEC. DI IMBALLAGGIO	APPLICATION SPEC. SPEC. DI APPLICAZIONE	COPYRIGHT DELPHI CORPORATION AND/OR ITS AFFILIATES. ALL RIGHTS RESERVED. REVISED THIS DRAWING IS THE PROPERTY OF DELPHI CORPORATION. THE REPRODUCTION, DISTRIBUTION AND UTILIZATION OF THIS DOCUMENT OR ITS RELATED CAD DATA, AS WELL AS COMMUNICATION OF ANY CONTENT TO OTHERS, WITHOUT EXPRESS AUTHORIZATION IS PROHIBITED.
------------------------------------	---	--	---

TOLERANCES TOLLERANZE	± 0.3mm / ±2'	MATERIAL : MATERIALE :	SEE TABLE	SURFACE FINISH FINITURA SUPERFICIALE	DELPHI	CAD SYSTEM
COUNTERPART Nr. CONTROPARTE Nr.	SEE NOTE	COLOUR : COLORE :	SEE TABLE		DELPHI PACKARD ELECTRICAL/ELECTRONIC ARCHITECTURE TORINO, ITALY	pro / eaq.
DO NOT SCALE DRAWING DISEGNO FUORI SCALA		TOOL NO.	-	LOC. CODE NAZIONALITA' IT	C	DWG SIZE FORMATO
					ISO PROJECTION PROIEZIONE ISO	A4
						DIMENSION IN MILLIMETERS DIMENSIONI IN MILLIMETRI
DRAWN BY DISEGNATORE	DATE DATA	NAME NOME	TITLE DESCRIZIONE	CONN. PORTAMASCHI 4 VIE AIR BAG CON SLITTA INTEGRATA I MOLLA DI CORTOCIRCUITO (4W M.H. WITH SLIDE I SHORT CIRCUIT SPRING)	DRAWING NUMBER NUMERO DISEGNO	SHEET FOGLIO
CHECKED BY CONTROLLATO	12-03-03	G.B.			FSA 309657	2 of 1 di 3
APPROVED BY APPROVATO	12-03-03	P.C.B.				
		ESR NO. NUMERO ESR	EU020151	CAT. NO. NUMERO CAT.	SEE TABLE	SCALE SCALA
					FILE NAME NONE FILE	1:1
					FSA 309657	