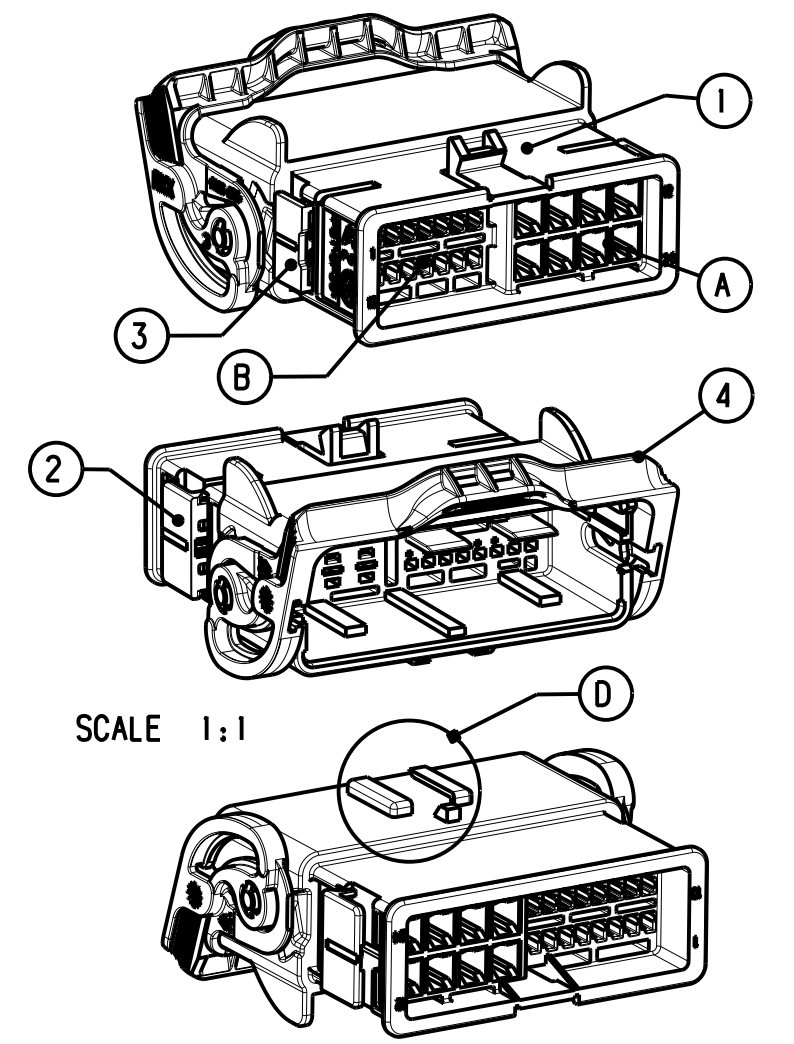
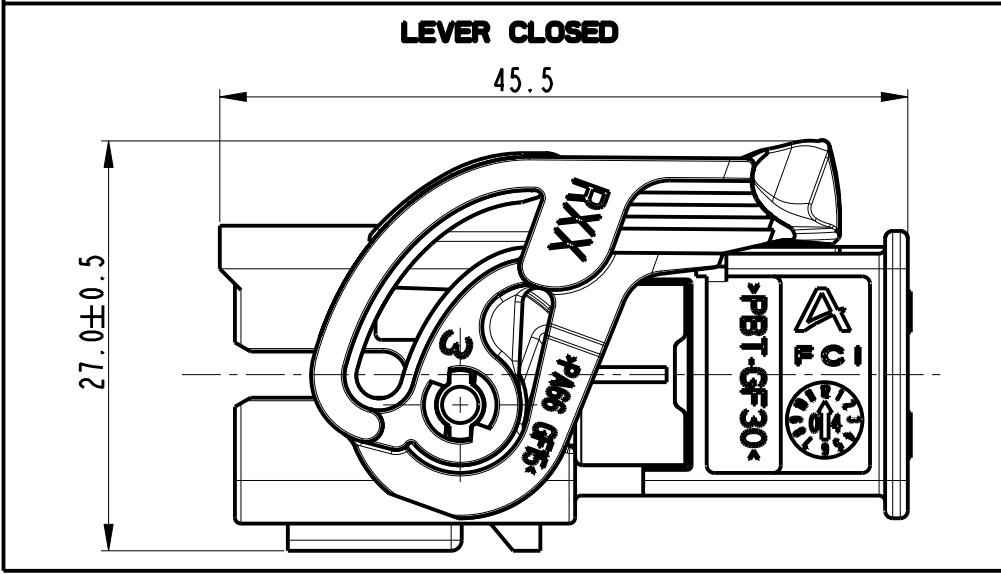
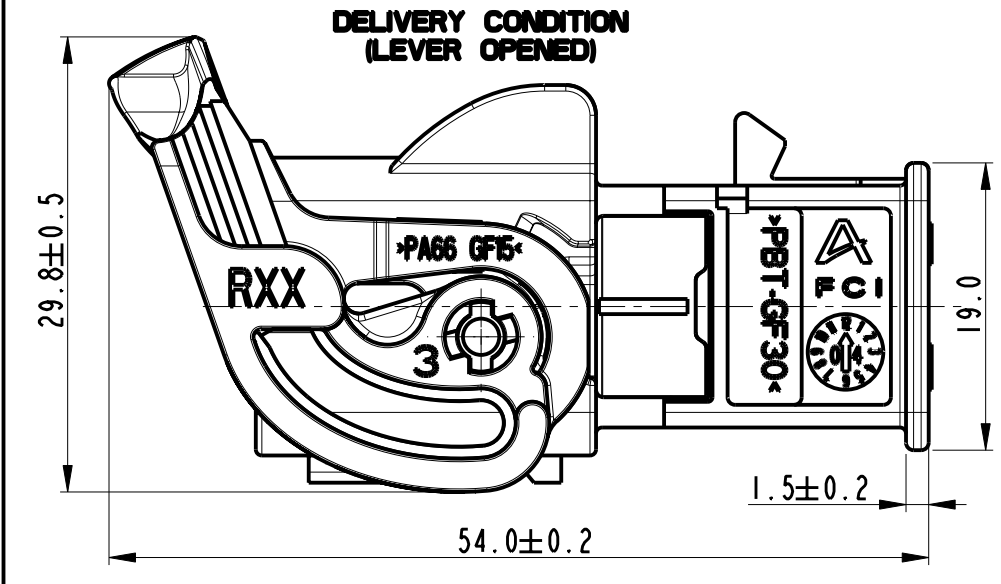
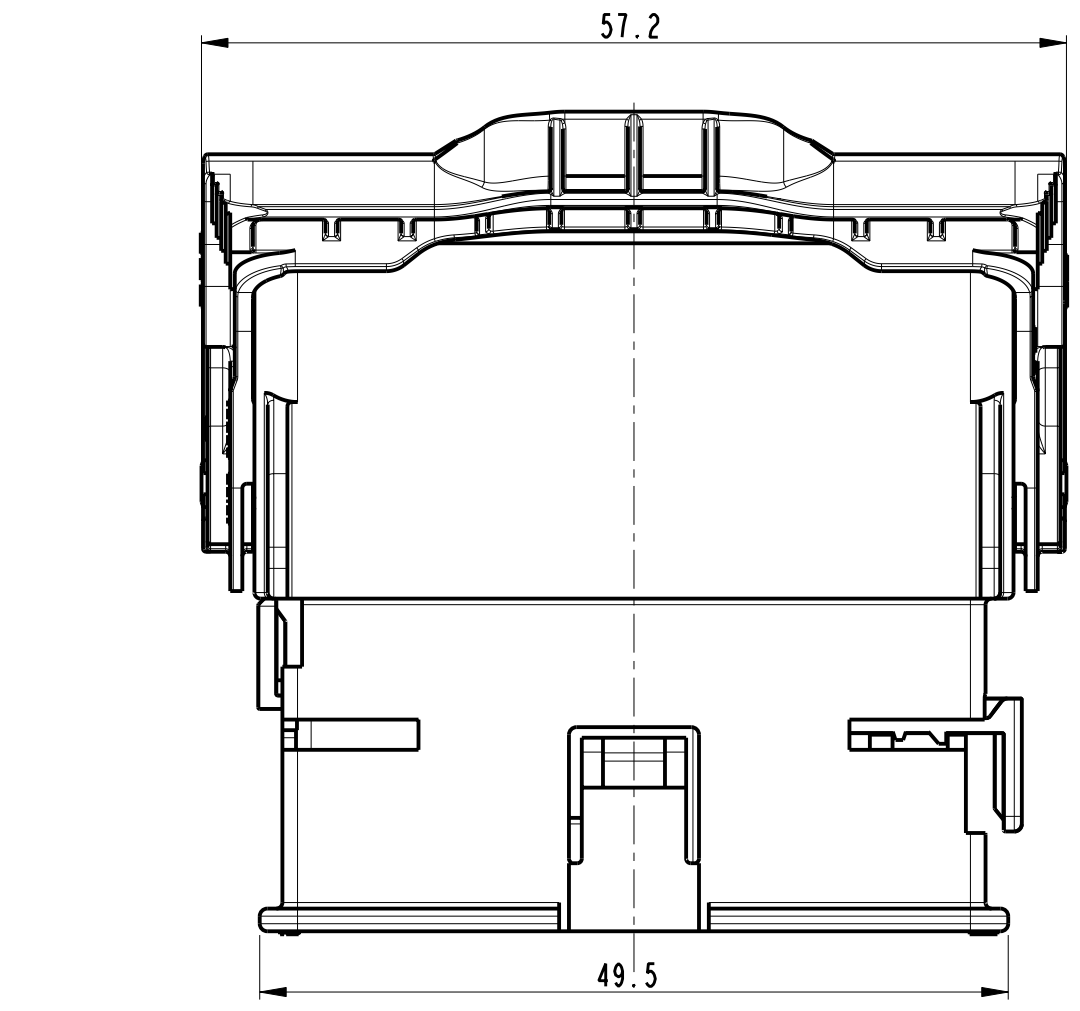
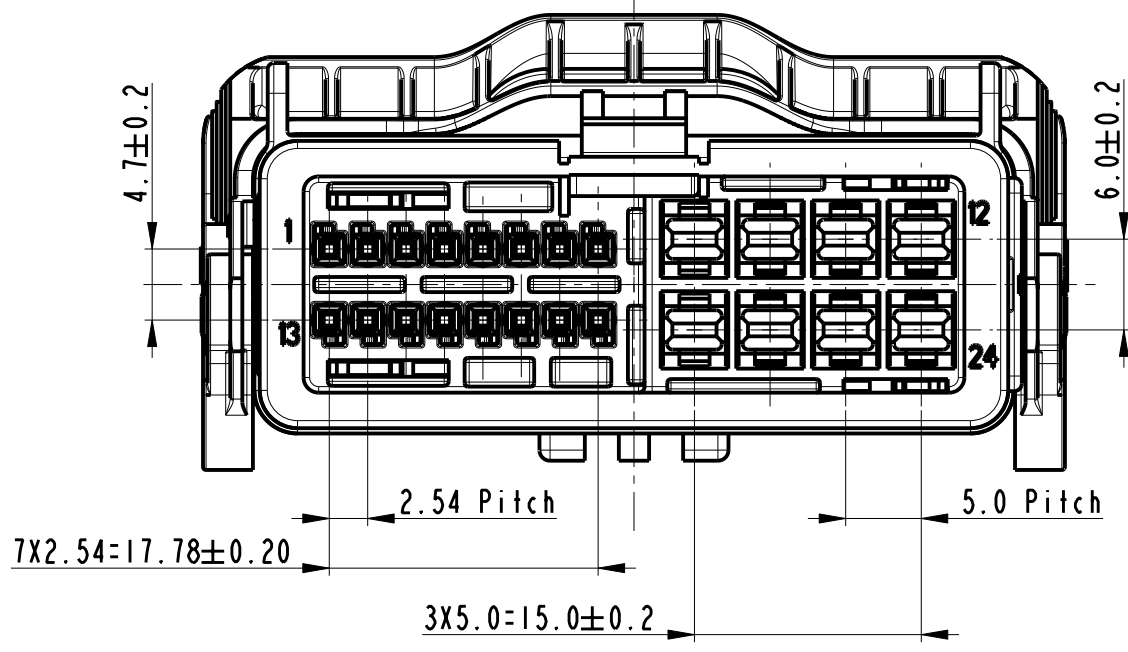


STRICTLY CONFIDENTIAL



- NOTE:**
- A) Cavity suitable to mount the DCS2 2.8 mm male terminals P/N 6 011 06 XI
 - B) Cavity suitable to mount the 0.64 mm male terminals.
 - C) The dimensions of 24 way female connector are showed in the customer drawing FSC 309757
 - D) Zone suitable to accept the fixing clip

14-07742	07/11/14	B	DELPHI P/N ADDED	S.N	F.G	M.C
12-00021	16/02/12	A	Modified Housing and Lever			
57-06	05-09-06	04	Released for production	G.B.	F.P.	M.C.
ECN-NO. NUMERO -ECN	DATE DD/ MM / YY DATA	REVISION REVISIONE	POSITION POSIZIONE	CHANGE DESCRIPTION DESCRIZIONE MODIFICA		DRAWN BY CHK. BY APPR. BY DISEGNATORE CONTROLLATO APPROVATO

PRODUCT SPEC. SPEC. DI PRODOTTO	PACKAGING SPEC. SPEC. DI IMBALLAGGIO	APPLICATION SPEC. SPEC. DI APPLICAZIONE	COPYRIGHT DELPHI CORPORATION AND/OR ITS AFFILIATES. ALL RIGHTS RESERVED. REVISED THIS DRAWING IS THE PROPERTY OF DELPHI CORPORATION. THE REPRODUCTION, DISTRIBUTION AND UTILIZATION OF THIS DOCUMENT OR ITS RELATED CAD MATH DATA, AS WELL AS COMMUNICATION OF ANY CONTENT TO OTHERS, WITHOUT EXPRESS AUTHORIZATION IS PROHIBITED.			
IPS287	17212401 17212481	IPS289 IPS290	SURFACE FINISH FINITURA SUPERFICIALE		DELPHI DELPHI PACKARD ELECTRICAL/ELECTRONIC ARCHITECTURE TORINO, ITALY	
TOLERANCES TOLLERANZE	± 0.3 mm / ± P	MATERIAL : MATERIALE :	See Table		CAD SYSTEM pro / eng.	
COUNTERPART Nr. CONTROPARTE Nr.	17212400 17212480	COLOR : COLORE :	See Table		DIMENSION IN MILLIMETERS DIMENSIONI IN MILLIMETRI	
DO NOT SCALE DRAWING DISEGNO FUORI SCALA		TOOL NO.	LOC. CODE NAZIONALITA' IT		DWG SIZE FORMATO A3	
DRAWN BY DISEGNATORE	DATE DATA	NAME NOME	TITLE DESCRIZIONE		DRAWING NUMBER NUMERO DISEGNO	
CHECKED BY CONTROLLATO	31/01/04	G.Stello	24 WAY MALE CONNECTOR		FSC 309758	
APPROVED BY APPROVATO	31/01/04	T.Ciriello	ESR NO. NUMERO ESR	CAT. NO. NUMERO CAT.	FILE NAME NOME FILE	
			EU03781	See Table	SCALE SCALA 2:1	

ITEM	QUANTITY	COMPONENTS DESCRIPTION	MATERIAL	COLOUR
1	1	24 WAY Male Housing	PBT GF30%	BLACK or GREY
2	1	TPA of DCS2 2.8 mm terminals	PBT GF30%	YELLOW
3	1	TPA of Duo Twin 0.64x0.64 terminals	PBT GF30%	YELLOW
4	1	Lever	PA6.6 GF15%	RED

STRICTLY CONFIDENTIAL

MALE CONNECTOR		FEMALE CONNECTOR	
PART NUMBER	HOUSING COLOUR	PART NUMBER	
1 721 24 01	BLACK	1 721 24 00	MVL
13725623		13725605	DELPHI
1 721 24 81	GREY	1 721 24 80	MVL
13764407		13764398	DELPHI

14-07742	07/11/14	B		DELPHI P/N ADDED	S.N	F.G	M.C
12-00021	16/02/12	A		Modified Housing and Lever			
57-06	05-09-06	04	-	Released for production	G.B.	F.P.	M.C.
ECN-NO. NUMERO -ECN	DATE DD / MM / YY DATA	REVISION REVISIONE	POSITION POSIZIONE	CHANGE DESCRIPTION DESCRIZIONE MODIFICA	DRAWN BY DISEGNATORE	CHK. BY CONTROLLATO	APPR. BY APPROVATO
PRODUCT SPEC. SPEC. DI PRODOTTO	PACKAGING SPEC. SPEC. DI IMBALLAGGIO	APPLICATION SPEC. SPEC. DI APPLICAZIONE	COPYRIGHT DELPHI CORPORATION AND/OR ITS AFFILIATES. ALL RIGHTS RESERVED. REVISED THIS DRAWING IS THE PROPERTY OF DELPHI CORPORATION. THE REPRODUCTION, CONFIDENZIALI. LA RIPRODUZIONE, DISTRIBUZIONE E UTILIZZAZIONE DI QUESTO DISTRIBUTION AND UTILIZATION OF THIS DOCUMENT OR ITS RELATED CAD MATH DOCUMENTO O DELLE SUE RELATIVE MATEMATICHE CAD, NONCHE LA COMUNICAZIONE DI DATA, AS WELL AS COMMUNICATION OF ANY CONTENT TO OTHERS, WITHOUT EXPRESS AUTHORIZATION IS PROHIBITED.				
IPS287	17212401 17212481	IPS289 IPS290	TOLERANCES TOLLERANZE ± 0.3 mm / ± P MATERIAL : MATERIALE : See Table SURFACE FINISH FINITURA SUPERFICIALE - DELPHI DELPHI PACKARD ELECTRICAL/ELECTRONIC ARCHITECTURE TORINO, ITALY CAD SYSTEM pro / eng. DIMENSTON IN MILLIMETERS DIMENSIONI IN MILLIMETRI ISO PROJECTION PROIEZIONE ISO DWG SIZE FORMATO A3 DRAWING NUMBER NUMERO DISEGNO FSC 309758 SHEET FOGLIO 2 of 2 di 2 SCALE SCALA 1:1				
DO NOT SCALE DRAWING DISEGNO FUORI SCALA	DATE DATA	NAME NOME	TITLE DESCRIZIONE	LOC. CODE NAZIONALITA'	IT		
DRAWN BY DISEGNATORE	31/01/04	G. Stello	24 WAY MALE CONNECTOR		FSC 309758		
CHECKED BY CONTROLLATO	31/01/04	T. Ciriello	See Table		See Table		
APPROVED BY APPROVATO			ESR NO. NUMERO ESR	EU03781	CAT. NO. NUMERO CAT.	See Table	