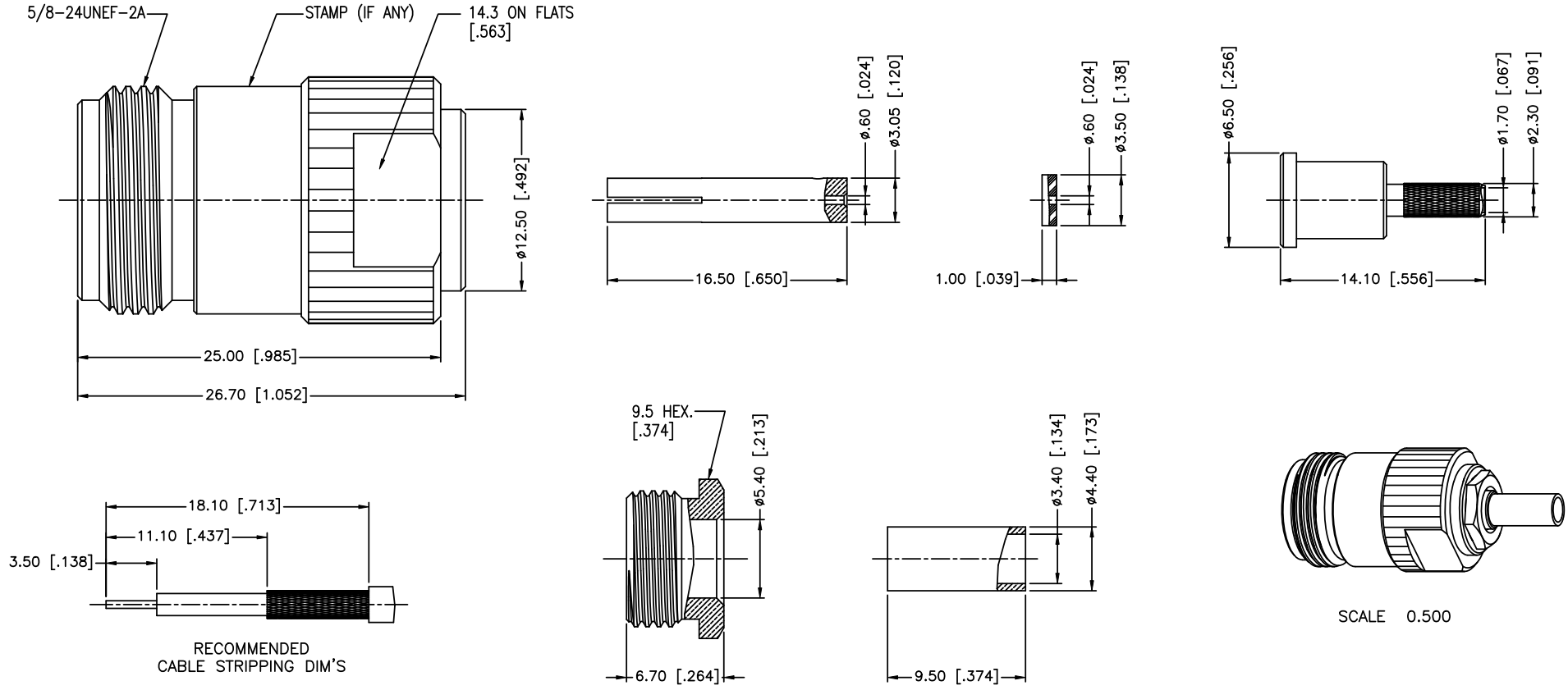


NOTES:

1. ELECTRICAL:
  - A. IMPEDANCE: 50 OHM
  - B. FREQUENCY RANGE: DC TO 11 GHz
  - C. DIELECTRIC WITHSTANDING VOLTAGE: 2500 VRMS, MIN.
2. MECHANICAL:
  - A. DURABILITY: 500 CYCLES MIN.
  - B. TEMPERATURE RANGE: -65°C TO +165°C
3. CRIMPED FERRULE
  - HEX. CRIMP SIZE .151"
4. CRIMPED CONTACT PIN
  - HEX. CRIMP SIZE .100"

REV.	DATE	ECR NO.	DESCRIPTION
NC	11/01/00	XXXXXX	INITIAL RELEASE
A	09/23/11	2230	PLATING WAS CHANGED



QTY	FINISH	MATERIAL	DESCRIPTION
1	NEXCOTE	BRASS	BODY
2	NATURAL	PTFE	INSULATOR
1	GOLD	PHOSPHOR BRONZE	CONTACT PIN
1	NEXCOTE	BRASS	BARREL
1	NEXCOTE	BRASS	HEX. NUT
1	NEXCOTE	COPPER	FERRULE

UNLESS OTHERWISE SPECIFIED DIMENSIONS ARE IN MILLIMETERS. DIMENSIONS IN [ ] ARE IN INCHES AND FOR CUSTOMER REFERENCE ONLY.

UNLESS OTHERWISE SPECIFIED TOLERANCES FOR MILLIMETERS ARE:  
 0.5 - 8mm ± 0.20mm  
 8 - 30mm ± 0.40mm  
 30 - 120mm ± 0.50mm

UNLESS OTHERWISE SPECIFIED TOLERANCES FOR INCHES ARE:  
 .020 - .315 ± 0.007"  
 .315 - 1.180 ± 0.015"  
 1.180 - 4.724 ± 0.020"

DO NOT SCALE DRAWING

APPROVALS	DATE
DRAWN T.DENG	09/23/11
CHECKED	
ISSUED	
SHEET 1 OF 1	
CAD FILE	C:/CONNEX/172205.DWG

# Amphenol Connex

PART DESCRIPTION

## N STRAIGHT CRIMP JACK

PART NO. 172205

DWG. NO. 172205.DWG

REV. A	SIZE A	SCALE NA
--------	--------	----------