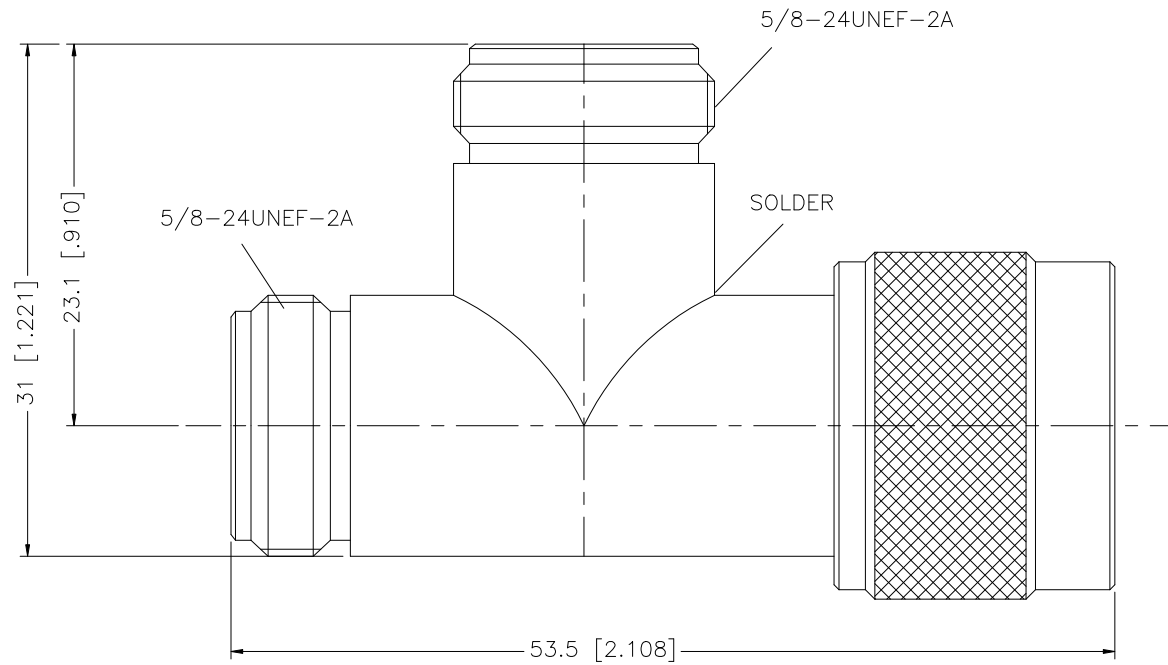


REV.	DATE	DESCRIPTION
NC	12/18/98	INITIAL RELEASE
A	10/30/07	UPDATE DRAWING FORMAT, REVISE BODY PLATING TO NEXCOTE



				UNLESS OTHERWISE SPECIFIED DIMENSIONS ARE IN MILLIMETERS. DIMENSIONS IN [] ARE IN INCHES AND FOR CUSTOMER REFERENCE ONLY.	APPROVALS	DATE	Amphenol Connex				
8					DRAWN	G.R.S.				10/30/07	PART DESCRIPTION N "T" ADAPTER JACK-JACK-PLUG
7					CHECKED			PART NO. 172233			
6					ISSUED						DWG. NO. 172233.DWG
5					SHEET	1 OF 1		REV.	A	SCALE	
4					CAD FILE		C:/172/172233.DWG	SIZE	A		
3	CONTACT PIN	PHOS. BRONZE	GOLD	1	UNLESS OTHERWISE SPECIFIED TOLERANCES FOR MILLIMETERS ARE: 0.5 - 8mm ± 0.20mm 8 - 30mm ± 0.40mm 30 - 120mm ± 0.50mm		UNLESS OTHERWISE SPECIFIED TOLERANCES FOR INCHES ARE: .020 - .315 = ± 0.007" .315 - 1.180 = ± 0.015" 1.180 - 4.724 = ± 0.020"		DO NOT SCALE DRAWING		
2	INSULATOR	TEFLON	NATURAL	1							
1	BODY	BRASS	NEXCOTE	1							
DESCRIPTION				MATERIAL	FINISH	QTY					