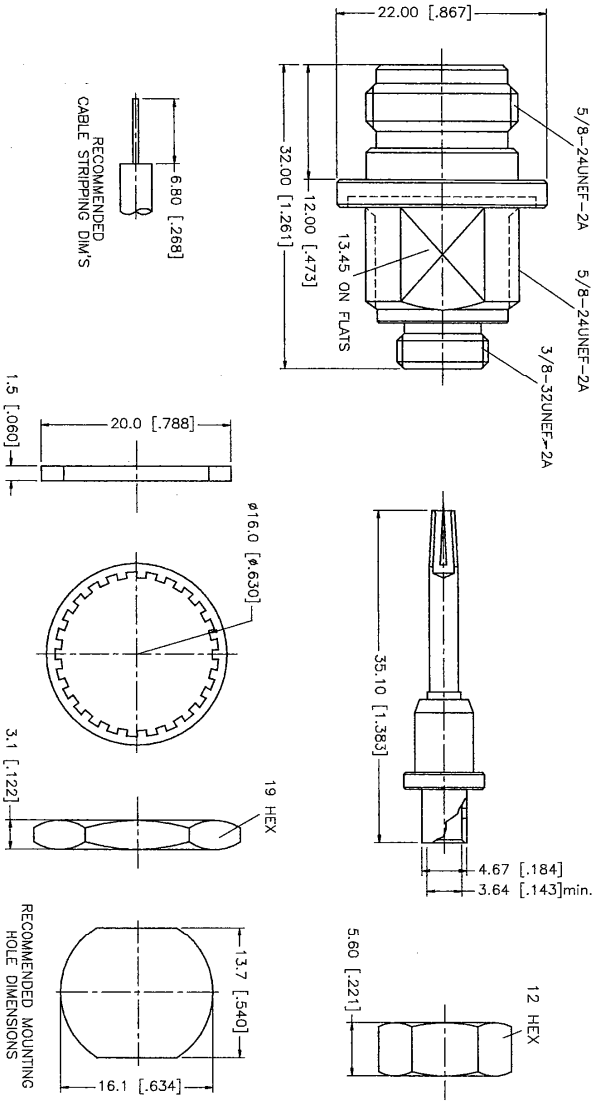


STAMP "CONNEX"

REV.	DATE	DESCRIPTION
NC	07/30/00	INITIAL RELEASE



DESCRIPTION	MATERIAL	FINISH	UNLESS OTHERWISE SPECIFIED DIMENSIONS ARE IN MILLIMETERS DIMENSIONS IN ( ) ARE IN INCHES FOR CUSTOMER REFERENCE ONLY	APPROVALS	DATE	TITLE	SIZE	FORM NO.	DWG. NO.	REV.
1 BODY	BRASS	NICKEL		DRAWN		<b>Connex</b> Connector Corporation N BULKHEAD DIRECT SOLDER JACK (FOR .141 SEMI RIGID CABLE)	A	99001	172258.DWG	NC
2 INSULATOR	TEFLON	NATURAL		CHECKED	07/30/00					
3 CONTACT PIN	PHOS. BRONZE	GOLD		ISSUED						
4 SOLDER BARREL	BRASS	GOLD								
5			UNLESS OTHERWISE SPECIFIED DIMENSIONS ARE IN MILLIMETERS DIMENSIONS IN ( ) ARE IN INCHES FOR CUSTOMER REFERENCE ONLY							
6			0.5-6 = ± 0.2							
7			6-30 = ± 0.4							
8			100-2000 = ± 2.4							

DO NOT SCALE DRAWING

SCALE: NA PART NO. 172258 SHEET 1 OF 1