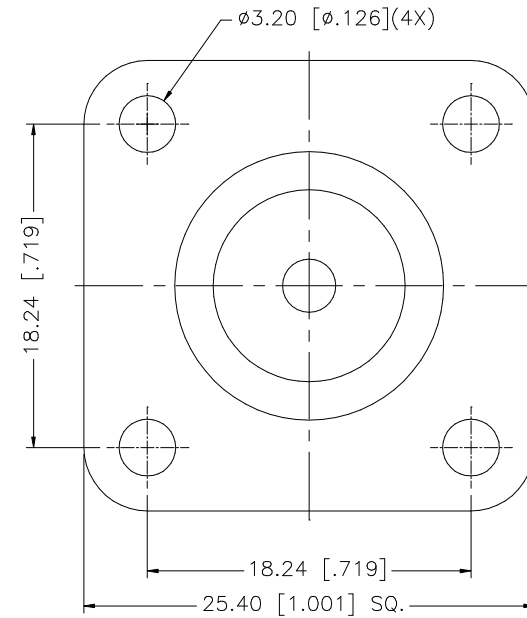
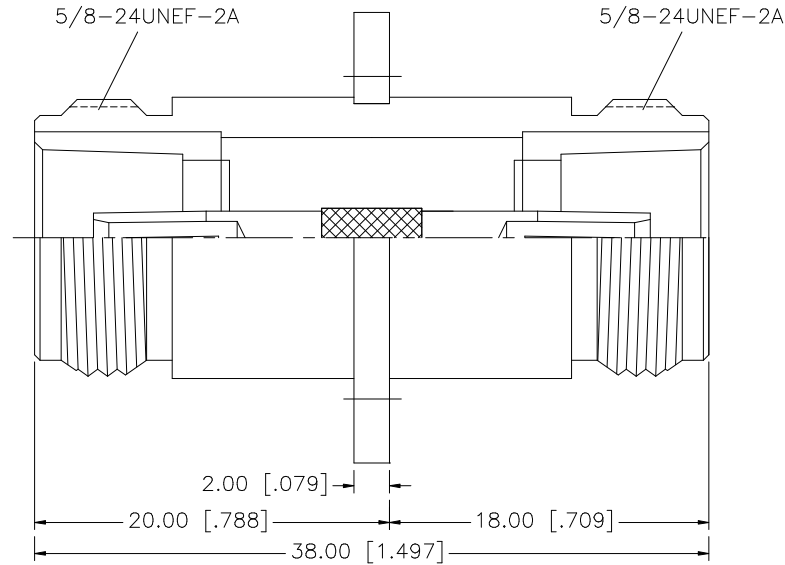


REV.	DATE	DESCRIPTION
NC	08/28/00	INITIAL RELEASE
A	12/17/06	UPDATE DRAWING FORMAT
B	01/17/07	REVISE BODY PLATING TO NEXCOTE



8					<small>UNLESS OTHERWISE SPECIFIED DIMENSIONS ARE IN MILLIMETERS. DIMENSIONS IN [ ] ARE IN INCHES AND FOR CUSTOMER REFERENCE ONLY.</small>  <small>UNLESS OTHERWISE SPECIFIED TOLERANCES FOR MILLIMETERS ARE:</small> 0.5 - 8mm ± 0.20mm 8 - 30mm ± 0.40mm 30 - 120mm ± 0.50mm  <small>UNLESS OTHERWISE SPECIFIED TOLERANCES FOR INCHES ARE:</small> .020 - .315 ± 0.007" .315 - 1.180 ± 0.015" 1.180 - 4.724 ± 0.020"	APPROVALS	DATE	<h1 style="color: blue; text-align: center;">Amphenol Connex</h1> <p style="text-align: center;">PART DESCRIPTION</p> <h2 style="text-align: center;">N PANEL JACK TO JACK ADAPTER</h2> <p style="text-align: center;">-</p> <p style="text-align: center;">PART NO.</p> <h3 style="text-align: center;">172278</h3>		
7				DRAWN		G.R.S.	01/17/07			
6				CHECKED						
5				ISSUED						
4				SHEET	1 OF 1		DWG. NO. 172278.DWG			
3	CONTACT PIN	PHOS. BRONZE	GOLD	1	DO NOT SCALE DRAWING			REV. B	SIZE A	SCALE NA
2	INSULATOR	TEFLON	NATURAL	1						
1	BODY	BRASS	NEXCOTE	1						
	DESCRIPTION	MATERIAL	FINISH	QTY						