

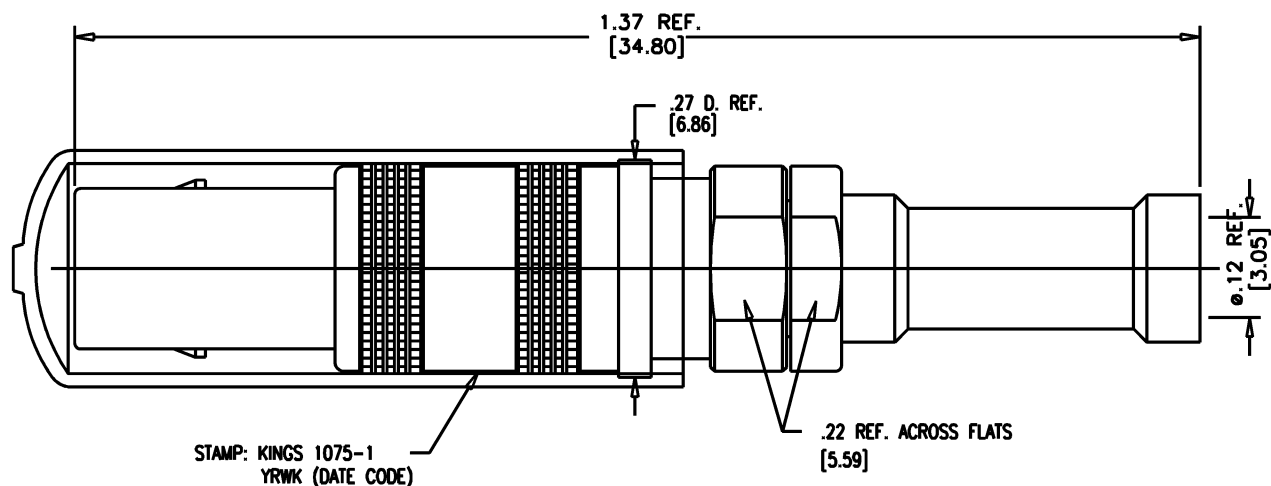
DASH NO.	M CODE	MADE FROM
----------	--------	-----------

GSD

1075-1

REVISIONS

ISSUE	CHANGES
10	CN 39452 E DCT 5/4/6
11	CN 39620 A DCT 9/13/6



NOTES:

- FOR USE WITH M17/119-RG174, M17/094-RG179 & M17/113-RG316 CABLE.
- FOR CABLING INSTRUCTIONS SEE CP-459.
- FOR CRIMPING USE DIE KTH-2082.
- CONTACT MAY BE CRIMPED ON M17/119-RG174 & M17/113-RG316 CABLES, BUT MUST BE SOLDERED ON BALANCE OF CABLE GROUP.
- MATERIALS:
 INSULATORS: TEFLON, ASTM-D4894
 K-GRIP SLEEVE: COM. BRONZE, ASTM-B140
 K-LOC BODY: BER. COPPER, ASTM-B-196
 ALL OTHER METAL PARTS: BRASS, ASTM-B16
- FINISHES:
 CENTER CONTACT: HARD GOLD PLATE, PER ASTM-B488
 ALL OTHER METAL PARTS: NICKEL
- ELECTRICAL CHARACTERISTICS:
 NOMINAL IMPEDANCE: 50 OHMS
 WORKING VOLTAGE: 500 VRMS
- DIMENSIONS IN INCHES [MM].

SCALE 6:1

APPROX SURFACE AREA

USED ON

REF:

PLUG, K-LOC

DRAWN DCT DATE 4/26/6

DESIGN MJB DATE 04/22/91

APPR. DATE

KINGS
 ELECTRONICS CO., INC.
 ROCK HILL, SOUTH CAROLINA 29730

GSD

1075-1