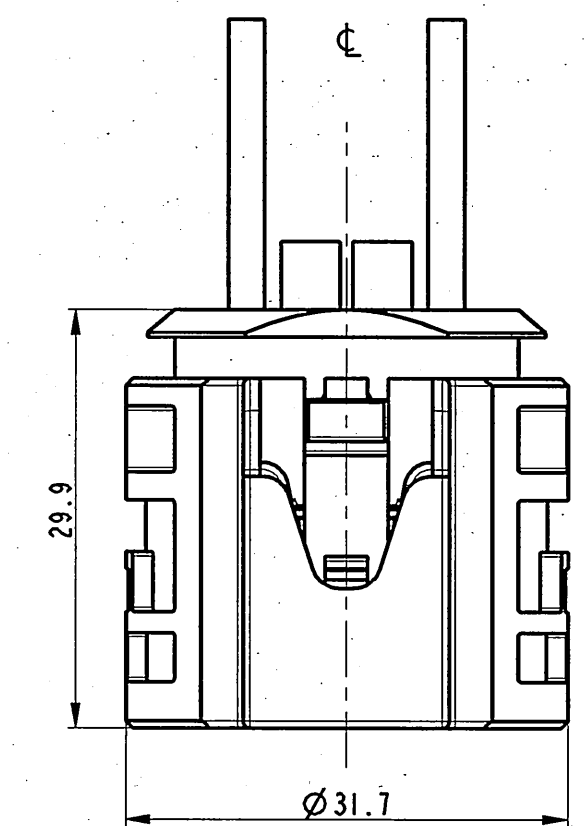
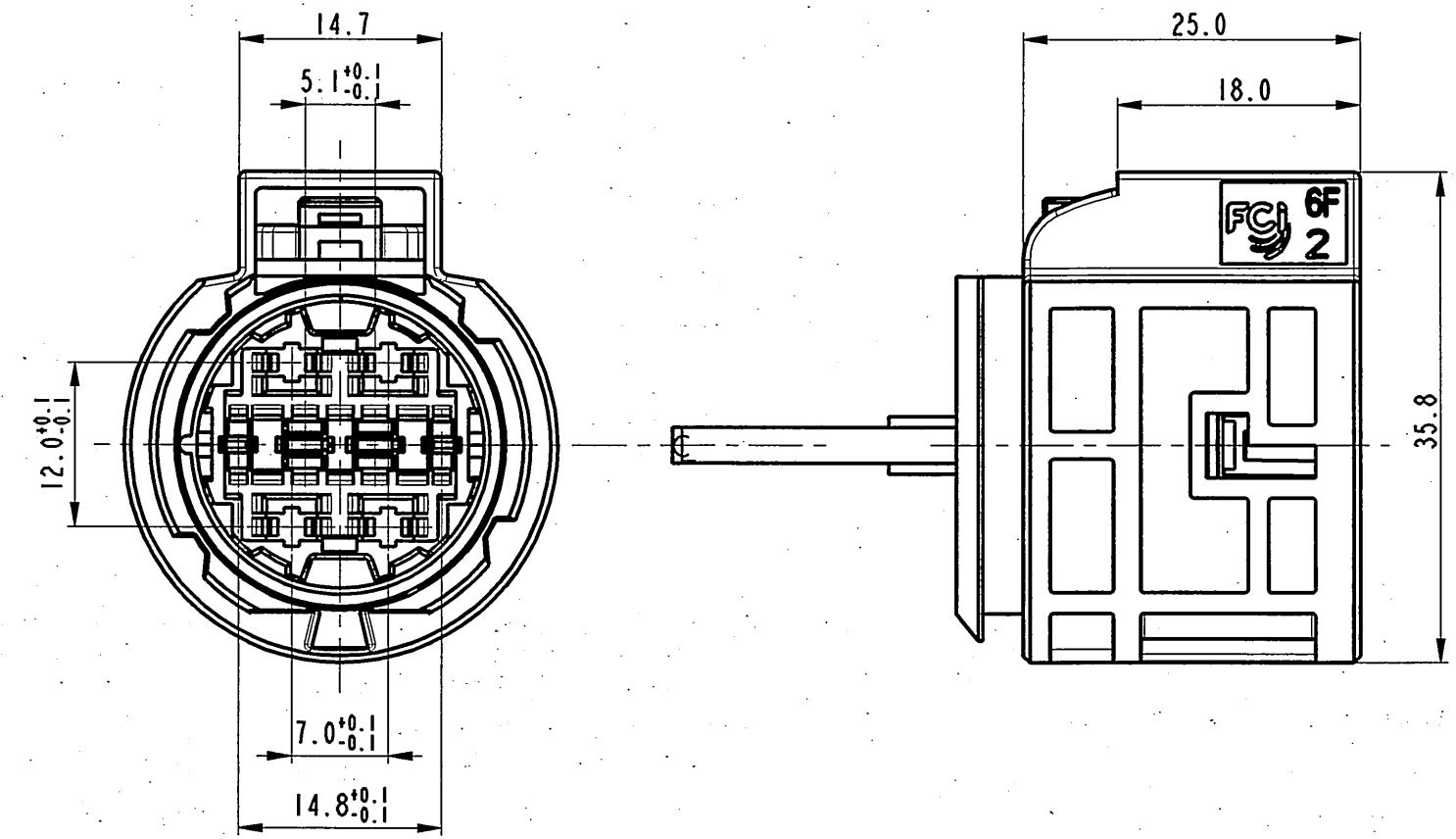


**STRICTLY CONFIDENTIAL**

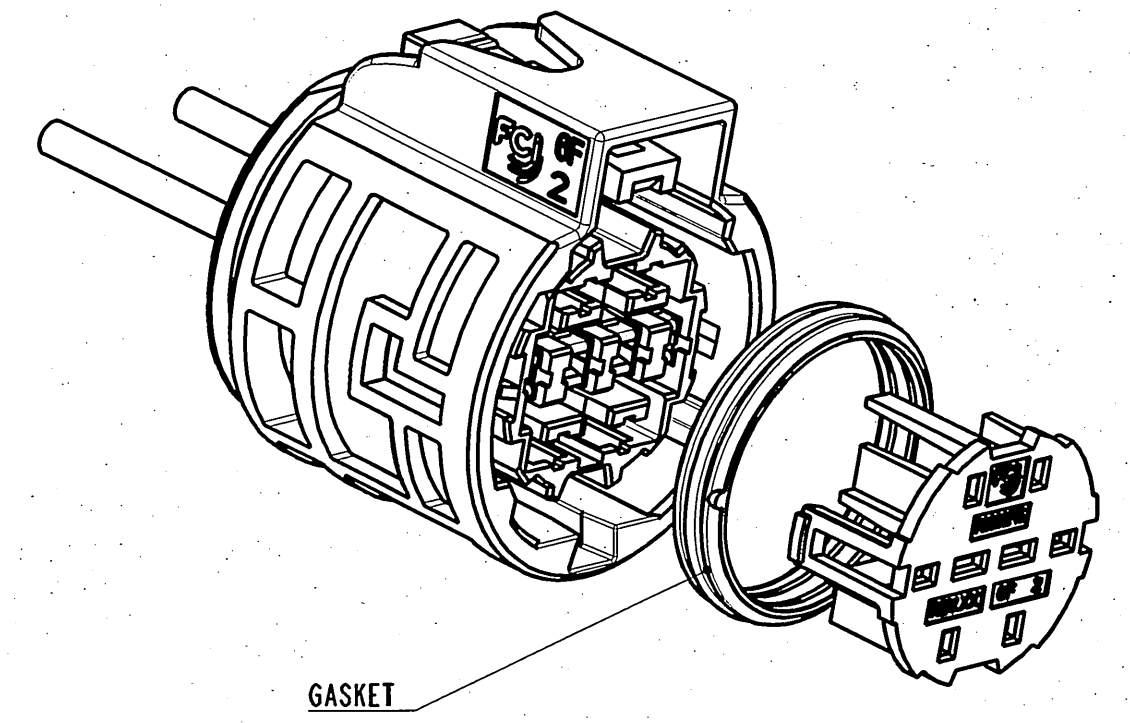
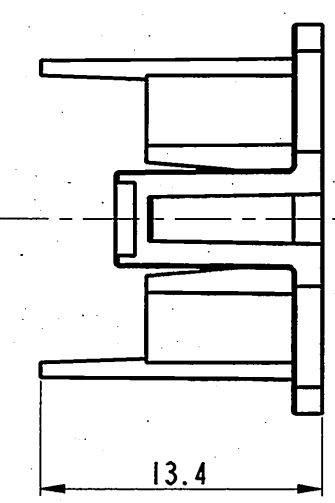
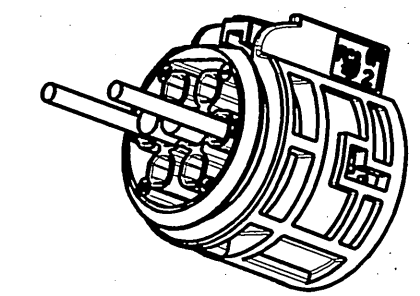
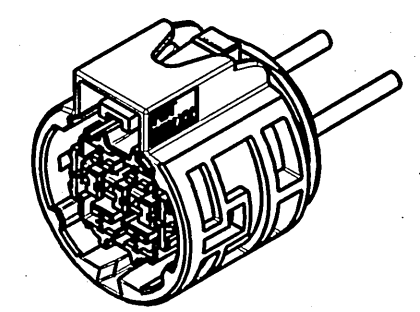
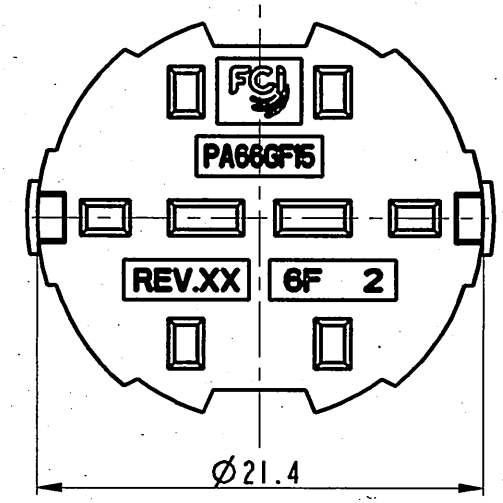
ASSEMBLY FEMALE	
HOUSING	material PBT
GASKET	material LSR - colour RED
<b>BLACK COLOUR (colore nero)</b>	
<b>8 way</b>	
MECHANICAL POLARIZATION (polarizzazione meccanica)	
	SCALE 1:1
P/N	17260805

ASSEMBLY FEMALE	
HOUSING	material PBT
GASKET	material LSR - colour RED
<b>BROWN COLOUR (colore marrone)</b>	
<b>5 way</b>	
MECHANICAL POLARIZATION (polarizzazione meccanica)	
	SCALE 1:1
P/N	17260815

ASSEMBLY FEMALE	
HOUSING	material PBT
GASKET	material LSR - colour RED
<b>GREEN COLOUR (colore verde)</b>	
<b>4 way</b>	
MECHANICAL POLARIZATION (polarizzazione meccanica)	
	SCALE 1:1
P/N	17260855



SECONDARY LOCK FEMALE	
MATERIAL (materiale)	PA66-GF15%
COLOUR (colore)	VIOLET COLOUR (colore viola)
P/N	17260879



GASKET  
SEC-LOCK

THE SEC-LOCK IS SUPPLIED SEPARATELY  
IL SEC-LOCK VIENE FORNITO SEPARATAMENTE

CAVITY SUITABLE FOR TERMINAL	WIRE SIZE (mm <sup>2</sup> )	P/N SWS COLOUR	P/N CAVITY PLUG COLOUR
SICMA3 FEMALE 1.5 (T3) P/N 211CC2S0161	0.35	211M0007 YELLOW	211M0012 WHITE
SICMA3 FEMALE 1.5 (T3) P/N 211CC2S1161	0.50 - 0.75		
SICMA3 FEMALE 1.5 (T3) P/N 211CC2S4161	1.0	211M0008 GREEN	211M0013 WHITE
SICMA3 FEMALE 1.5 (T3) P/N 211CC2S2161	1.5		
SICMA2 FEMALE 2.8 (T3) P/N 17062000	0.35 - 0.75	211M0009 RED	211M0010 BLUE
SICMA2 FEMALE 2.8 (T3) P/N 17062010	1.0 - 2.5		

01-09	02/02/2009	02-R	RELEASED FOR PRODUCTION Mould revision not necessary		
92/06	12/12/06	02	UPDATED MODEL DRAWING AND NOTES		FP MC
	23/06/06	01	UPDATED MODEL DRAWING AND NOTES		FP MC
ECH-NO. NUMERO - FCH	DATE DATA	DD / MM / YY REVISIONE	REVISIONE	POSITION POSIZIONE	CHANGE DESCRIPTION DESCRIZIONE MODIFICA
PRODUCT SPEC. SPEC. DI PRODOTTO	PACKAGING SPEC. SPEC. DI IMBALLAGGIO	APPLICATION SPEC. SPEC. DI APPLICAZIONE		THIS DRAWING AND ALL OTHER INFORMATION CONTAINED THEREIN IS PROPRIETARY AND THE PROPERTY OF FCI. THIS DRAWING MAY NOT BE COPIED, REPRODUCED OR DISCLOSED TO ANY THIRD PARTY WITHOUT THE EXPRESSED WRITTEN PERMISSION OF FCI. © FCI April 1999	
IPS 310		IPS 311			
TOLERANCES TOLLERANZE	±0.3mm / ±1°	MATERIAL: MATERIALE:	SURFACE FINISH FINITURA SUPERFICIALE		
COUNTERPART N°. CONTROPARTE N°.		SEE TABLE	FCJ		
DO NOT SCALE DRAWING NON SCALARE IL DISEGNO		TOOL NO. NUMERO UTILE	ISO PROJECTION PROIEZIONE ISO		
DATE DATA	12/04/06	NAME NOME	G.STELLA		
DRAWN BY DISEGNATORE	12/04/06	TITLE DESCRIZIONE	ASSEMBLY FEMALE 8 WAY SEALED CONNECTOR		
CHECKED BY CONTROLLATO		DRAWING NUMBER NUMERO DISEGNO	FSD 309914		
APPROVED BY APPROVATO	12/04/06	ESR NO. NUMERO ESR	EU-060274	FILE NAME NOME FILE	fsd309914-1.1-02