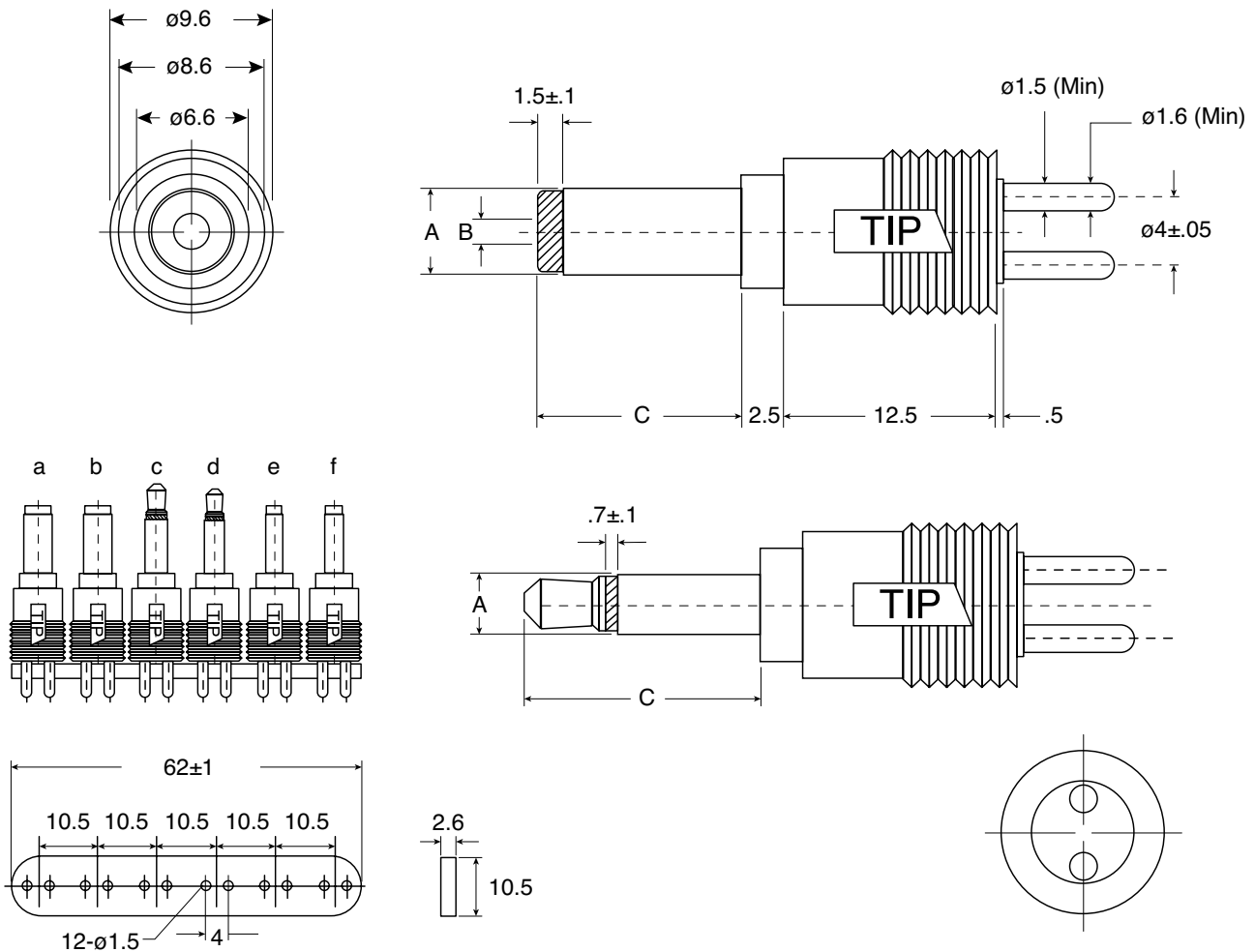


**DIMENSIONS: mm**



	Mouser Stock No.	A	B	C
a	173-4017-ST-EX	ø4.0 (.16)	1.7 (.68)	9.5 (.38)
b	173-3413-ST-EX	ø3.4 (.13)	1.3 (.05)	11.0 (.43)
c	173-25MP-ST-EX	ø2.5 (.09)	---	11.0 (.43)
d	173-35MP-ST-EX	ø3.5 (.14)	---	14.0 (.13)
e	173-5521-ST-EX	ø5.5 (.22)	ø2.1 (.084)	12 (.48)
f	173-5525-ST-EX	ø5.5 (.22)	ø2.5 (.1)	12 (.48)

**Note:** RoHS Compliant by Exemption

**Available from Mouser Electronics**  
**1-800-346-6873 / www.mouser.com**

KC-301337