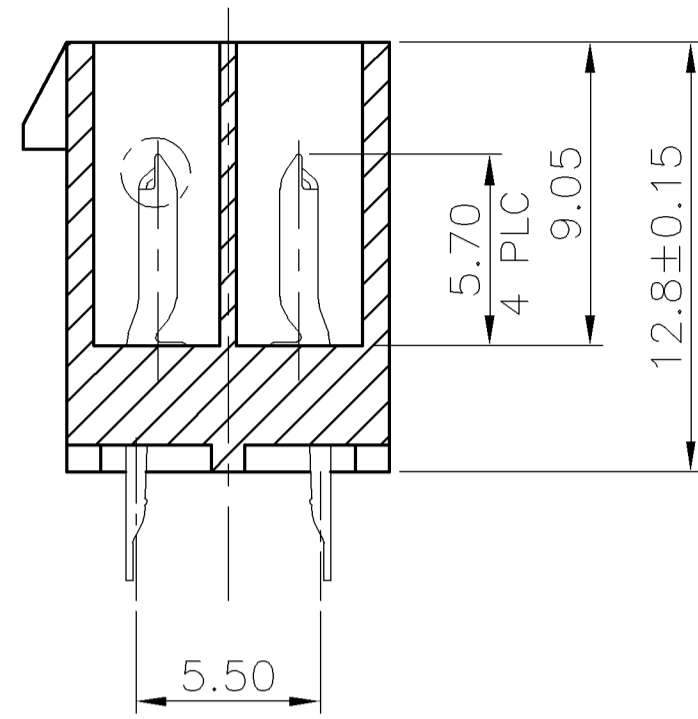


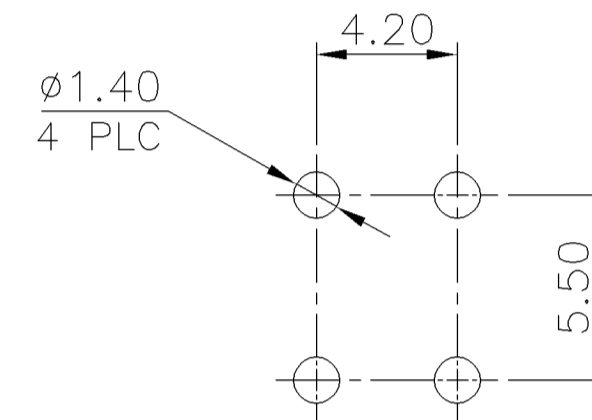
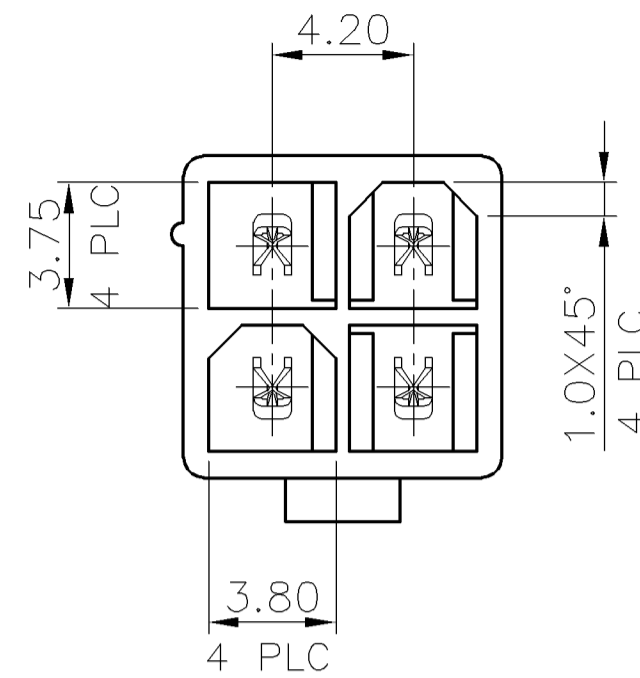
LOC		DIST		REVISIONS					
DW		-		P	LTR	DESCRIPTION	DATE	DWN	APVD
					C	REVISED (ECR-10-025182, CHANGE TO MATTE-TIN)	31JAN'11	EL	WK

NOTE:

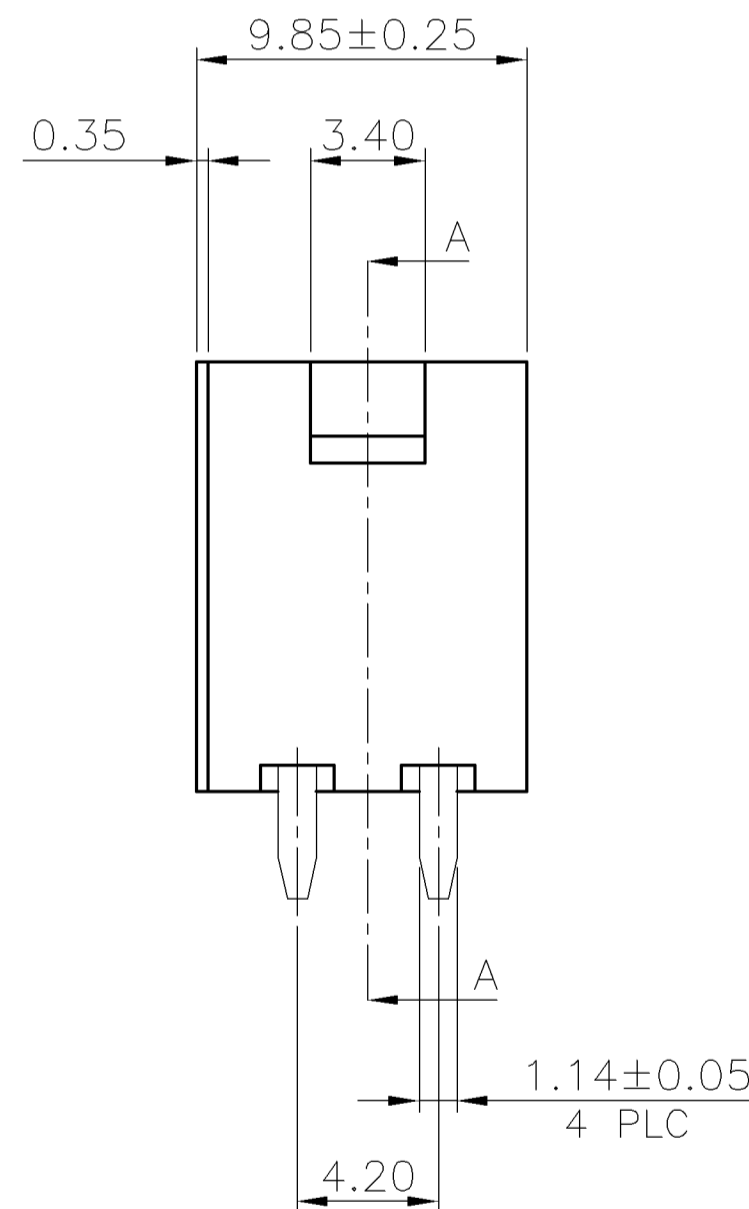
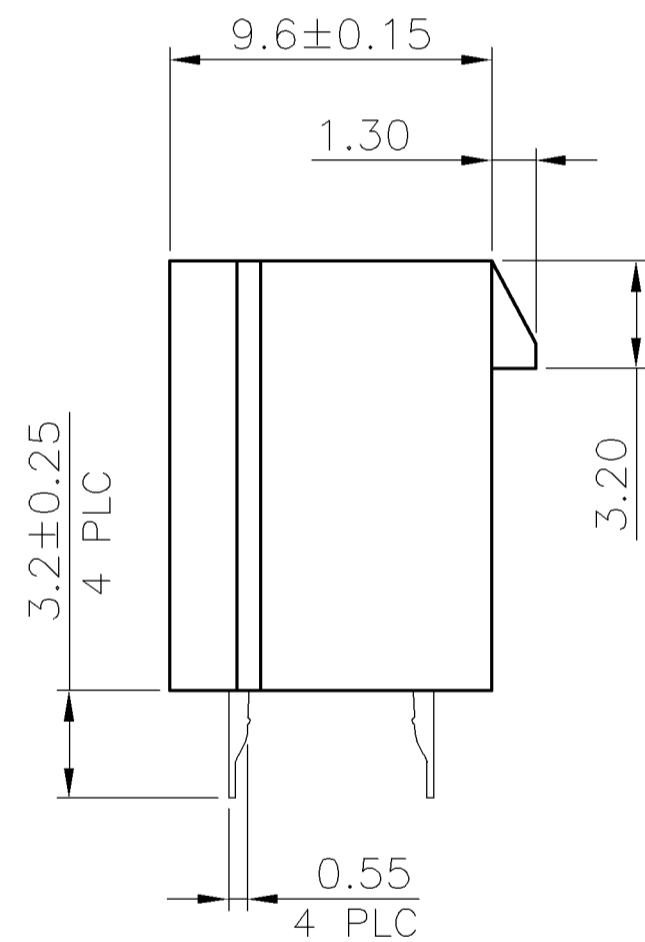
- MATERIAL:  
HOUSING: PA46 UL 94V-0, COLOR: (SEE TABLE).  
CONTACTS: BRASS.
- FINISH:  
CONTACTS: 3.05um [120u"] MIN. MATTE-TIN  
1.27um [50u"] MIN. NICKEL UNDERPLATED ALL OVER.
- WAVE SOLDER CAPABLE TO 265°C PER TEST SPEC.  
109-202, CONDITION B.
- WEIGHT: SEE TABLE.
- OBsolete PARTS: OBSOLETE CIS STREAMLINING PER D.RENAUD/D.SINISI



SECTION A-A



RECOMMENDED PCB LAYOUT(T=1.6MM)  
(TOLERANCE: ±0.05)

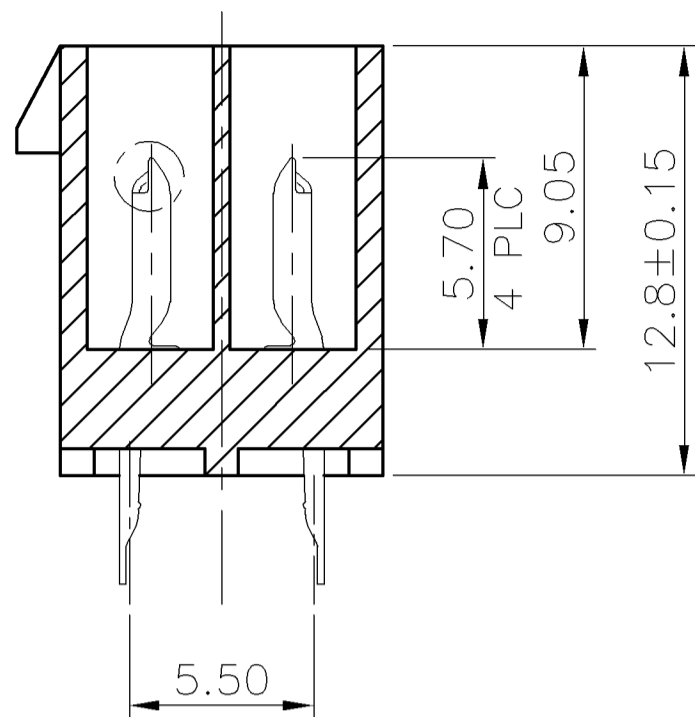


5 ( FOR -1 AND -2 )

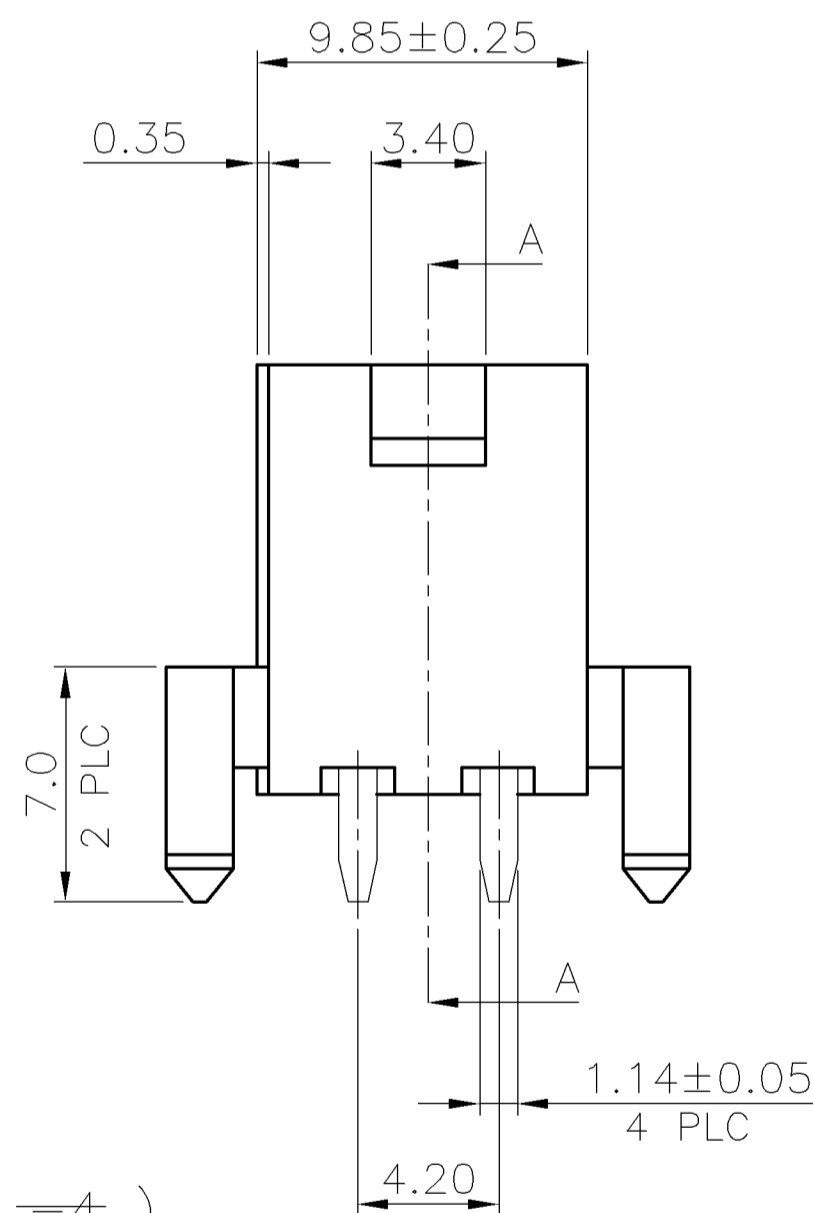
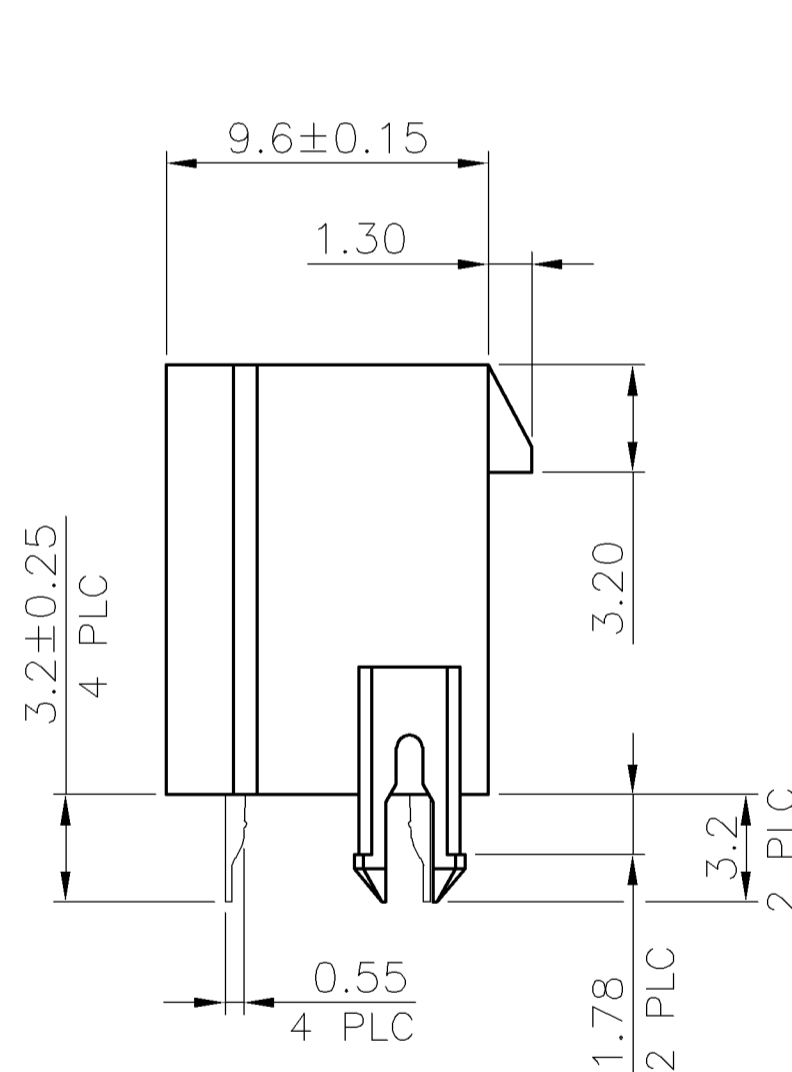
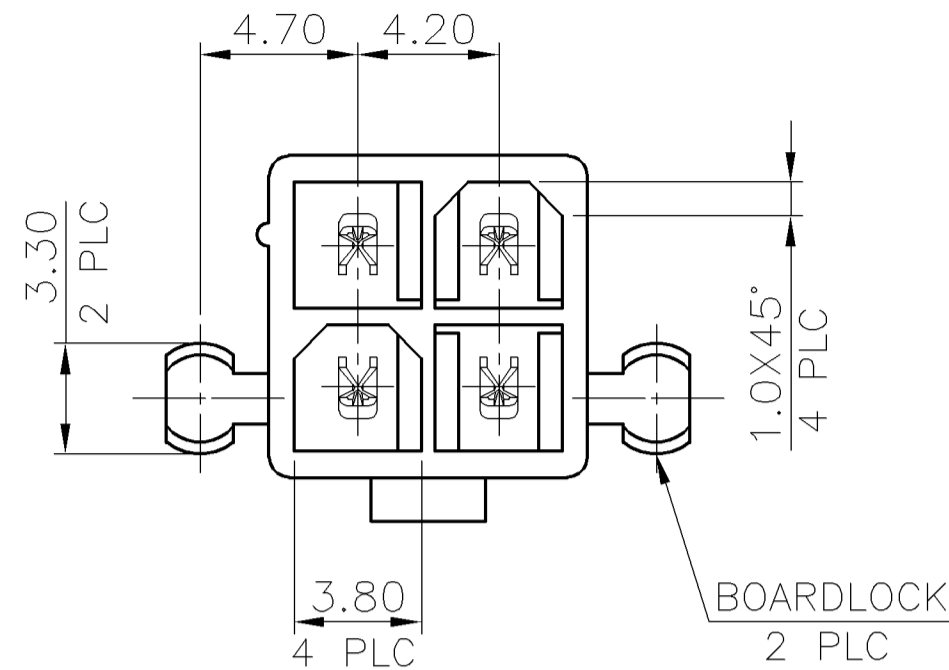
5	OBSOLETE	1.18	W/O	W/	NATURAL	1734385-8
					IVORY (WARM GRAY 1U)	<del>1734385-7</del>
5	OBSOLETE	1.18	W/	W/O	NATURAL	1734385-6
					IVORY (WARM GRAY 1U)	<del>1734385-5</del>
5	OBSOLETE	1.21	W/	W/	NATURAL	<del>1734385-4</del>
					IVORY (WARM GRAY 1U)	<del>1734385-3</del>
5	OBSOLETE	1.15	W/O	W/O	NATURAL	1734385-2
					IVORY (WARM GRAY 1U)	<del>1734385-1</del>
		NET WEIGHT	LEFT	RIGHT	HSG.COLOR	PART NUMBER
		gm/PCS	BOARDLOCK			

THIS DRAWING IS A CONTROLLED DOCUMENT.		DWN	28JUL2009		Tyco Electronics Corporation	
		B. HSING			Taipei, Taiwan	
		CHK	28JUL2009		NAME	
		S. CHIEN			ATX POWER CONNECTOR, 4 POSITION,DIP	
		APVD	28JUL2009		PRODUCT SPEC	
		W. KODAMA			108-57394	
		MATERIAL		FINISH	SIZE	CAGE CODE
DIMENSIONS: MM		TOLERANCES UNLESS OTHERWISE SPECIFIED:		APPLICATION SPEC		RESTRICTED TO
0 PLC ± -		1 PLC ± 0.30		501-57426		SCALE
2 PLC ± 0.20		3 PLC ± 0.15		WEIGHT		SHEET
3 PLC ± 0.15		4 PLC ± -		SEE NOTE		1 OF 3
4 PLC ± -		ANGLES ± 3°		CUSTOMER DRAWING		REV
SEE NOTE		SEE NOTE		A3 00779 C=1734385		C

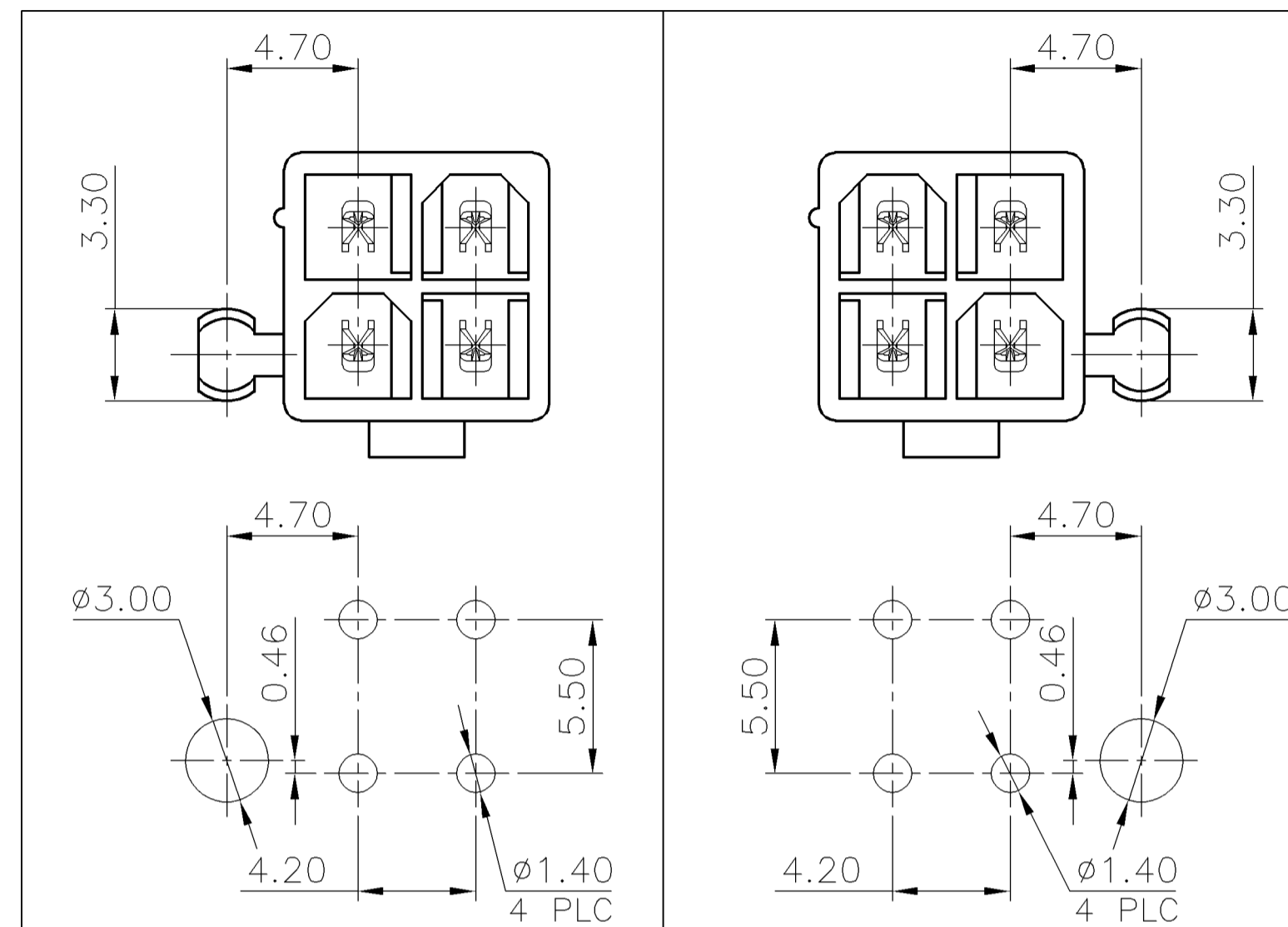
LOC	DIST	REVISIONS					
DW	—	P	LTR	DESCRIPTION	DATE	DWN	APVD
				SEE SHEET 1.			



SECTION A-A

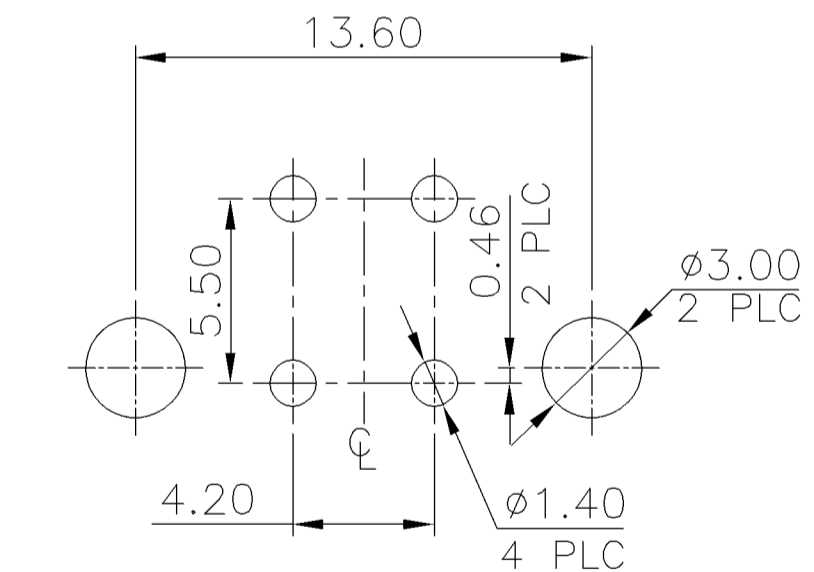


5 ( FOR —3 AND —4 )



5 LEFT BOARDLOCK FOR —5 & —6 5 RIGHT BOARDLOCK FOR —7 & —8

RECOMMENDED PCB LAYOUT(T=1.6MM)



RECOMMENDED PCB LAYOUT(T=1.6MM)

(TOLERANCE: ±0.05)

THIS DRAWING IS A CONTROLLED DOCUMENT.

DIMENSIONS:	TOLERANCES UNLESS OTHERWISE SPECIFIED:
MM	
0 PLC	± -
1 PLC	± 0.30
2 PLC	± 0.20
3 PLC	± 0.15
4 PLC	± -
ANGLES	± 3°

MATERIAL SEE NOTE

FINISH SEE NOTE

DWN	—
CHK	—
APVD	—
PRODUCT SPEC	—
APPLICATION SPEC	—
WEIGHT	SEE TABLE
CUSTOMER DRAWING	

Tyco Electronics Corporation Taipei, Taiwan			
NAME			
ATX POWER CONNECTOR, 4 POSITION, DIP			
SIZE	CAGE CODE	DRAWING NO	RESTRICTED TO
A3	00779	C=1734385	—
SCALE		SHEET	REV
—		2 OF 3	C