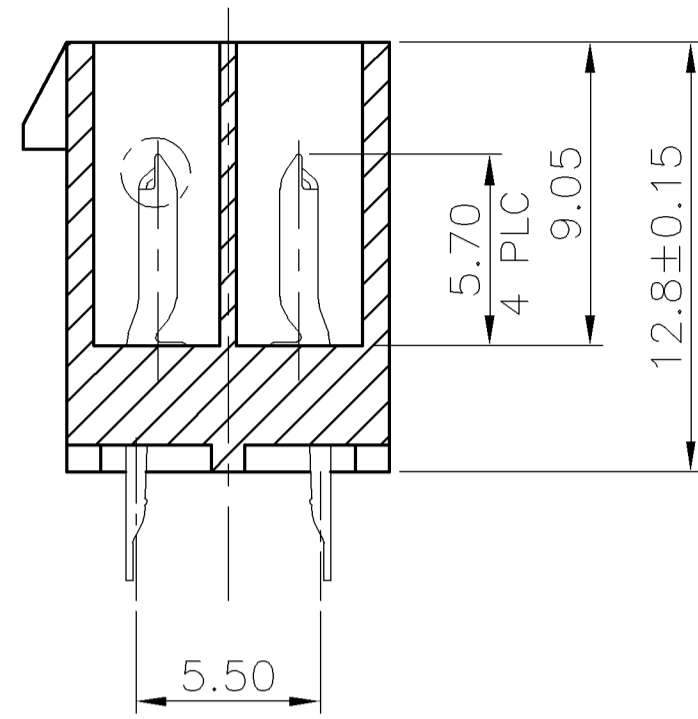


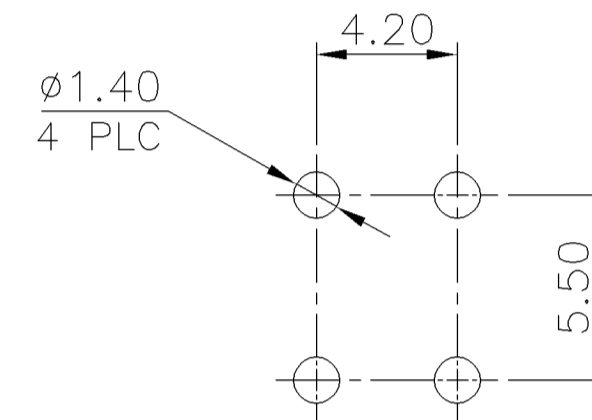
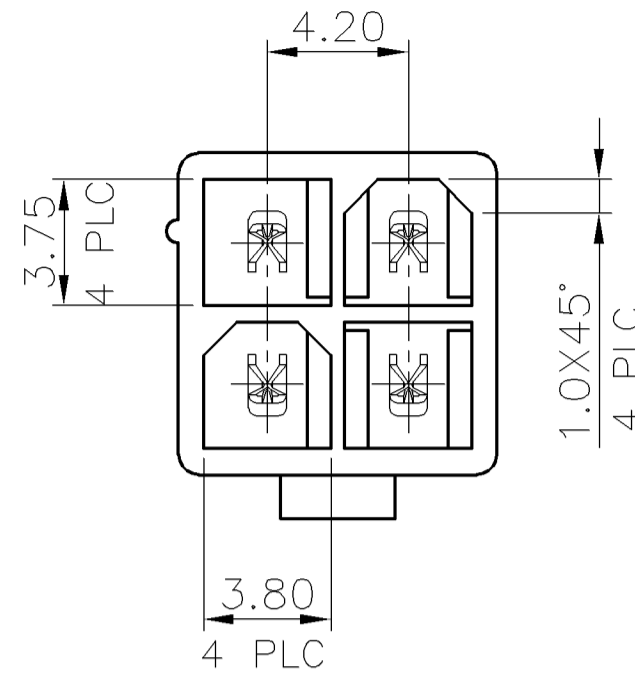
LOC		DIST		REVISIONS					
DW		-		P	LTR	DESCRIPTION	DATE	DWN	APVD
					C	REVISED (ECR-10-025182, CHANGE TO MATTE-TIN)	31JAN'11	EL	WK

NOTE:

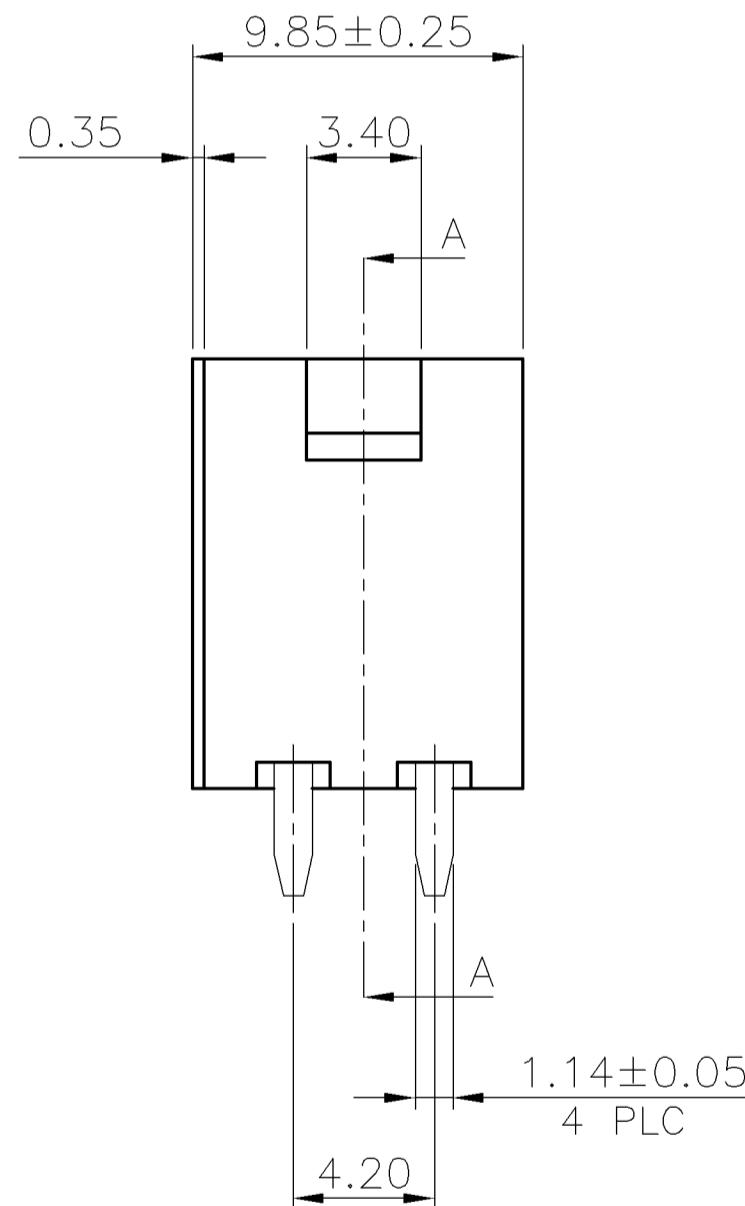
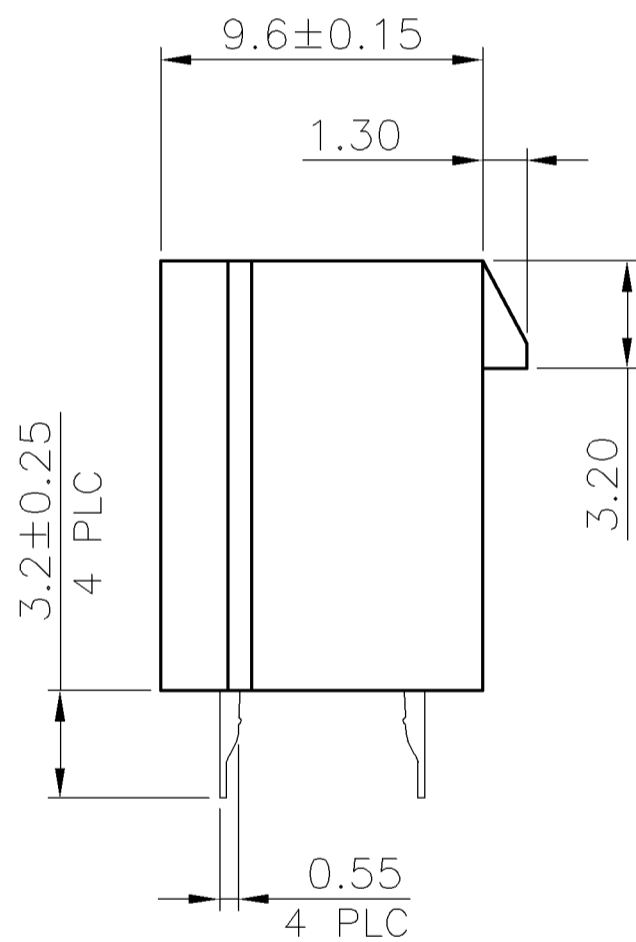
- 1.MATERIAL:  
HOUSING: PA46 UL 94V-0, COLOR: (SEE TABLE).  
CONTACTS: BRASS.
2. FINISH:  
CONTACTS: 3.05um [120u"] MIN. MATTE-TIN  
1.27um [50u"] MIN. NICKEL UNDERPLATED ALL OVER.
3. WAVE SOLDER CAPABLE TO 265°C PER TEST SPEC.  
109-202, CONDITION B.
4. WEIGHT: SEE TABLE.
5. OBSOLETE PARTS: OBSOLETE CIS STREAMLINING PER D.RENAUD/D.SINISI



SECTION A-A



RECOMMENDED PCB LAYOUT(T=1.6MM)  
(TOLERANCE: ±0.05)

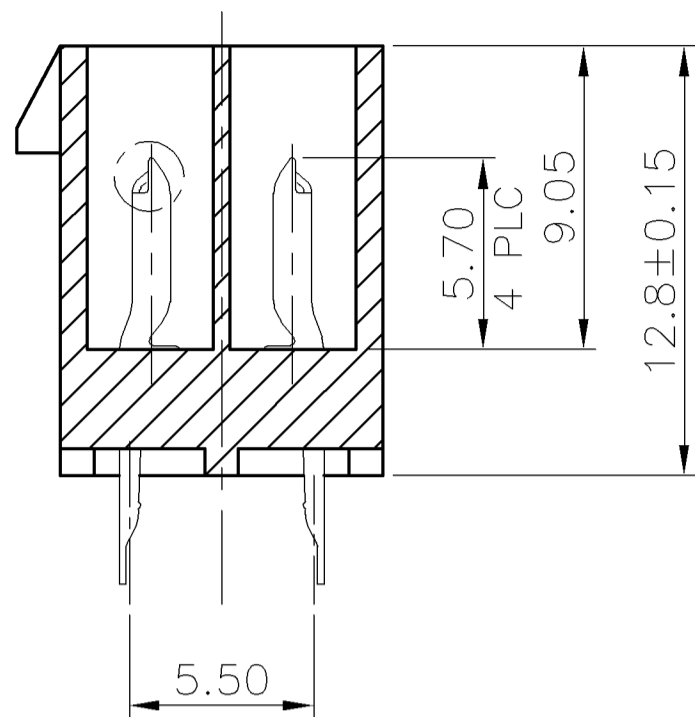


5 ( FOR -1 AND -2 )

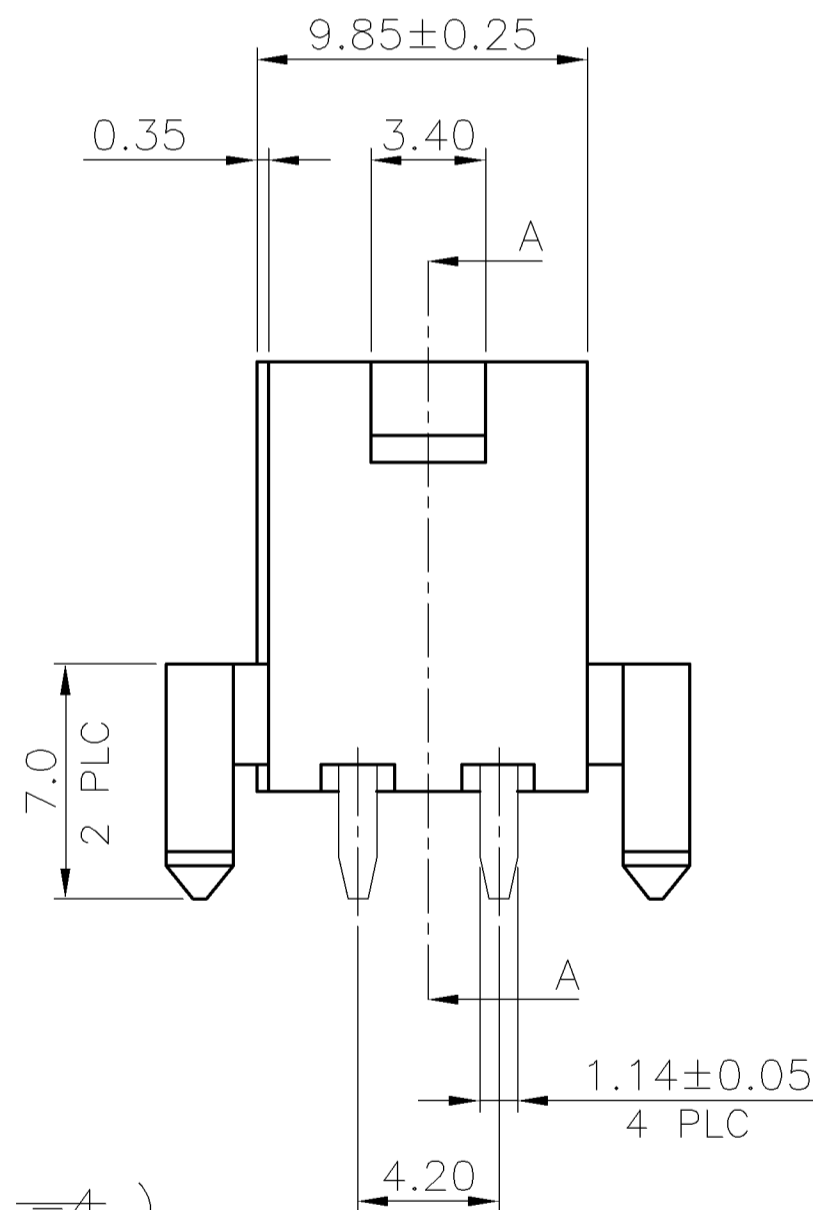
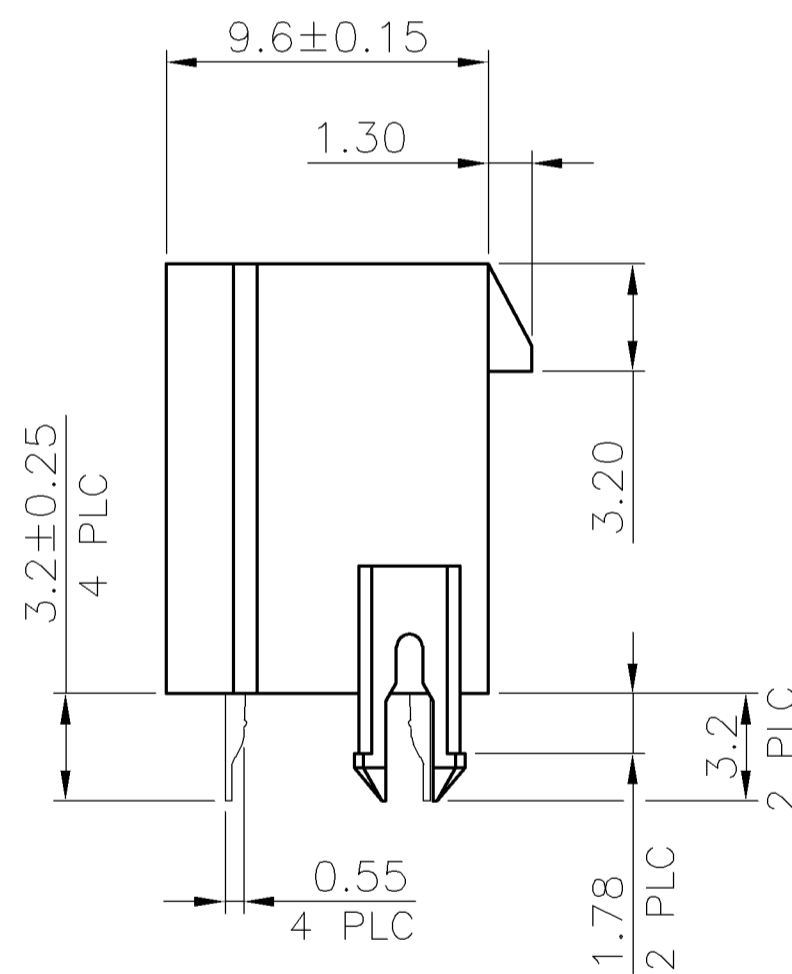
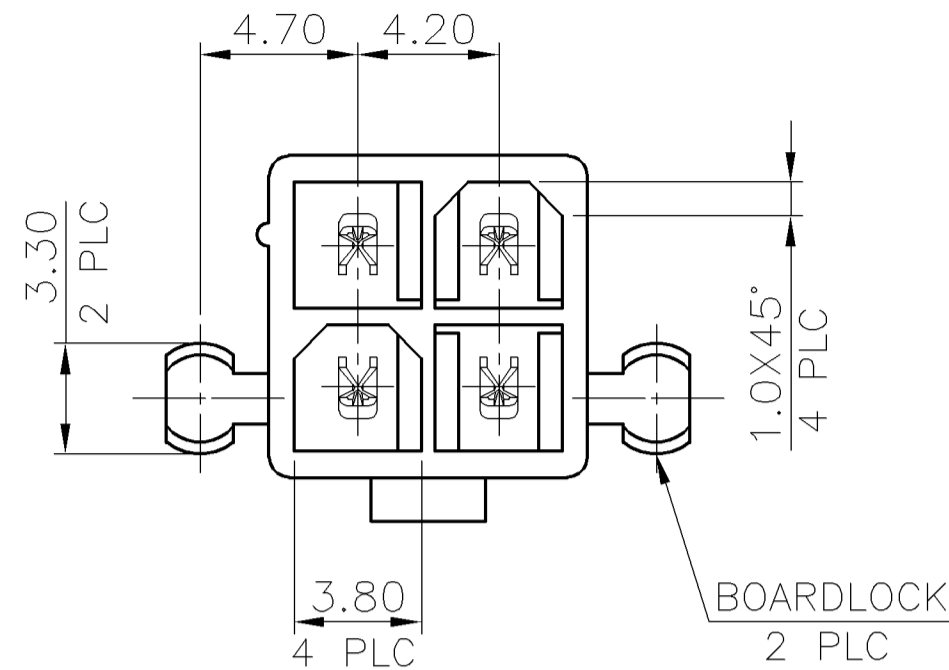
5	OBSOLETE	1.18	W/O	W/	NATURAL	1734385-8
					IVORY (WARM GRAY 1U)	<del>1734385-7</del>
5	OBSOLETE	1.18	W/	W/O	NATURAL	1734385-6
					IVORY (WARM GRAY 1U)	<del>1734385-5</del>
5	OBSOLETE	1.21	W/	W/	NATURAL	<del>1734385-4</del>
					IVORY (WARM GRAY 1U)	<del>1734385-3</del>
5	OBSOLETE	1.15	W/O	W/O	NATURAL	1734385-2
					IVORY (WARM GRAY 1U)	<del>1734385-1</del>
		NET WEIGHT	LEFT	RIGHT	HSG.COLOR	PART NUMBER
		gm/PCS	BOARDLOCK			

THIS DRAWING IS A CONTROLLED DOCUMENT.		DWN	28JUL2009		Tyco Electronics Corporation	
		B. HSING			Taipei, Taiwan	
		CHK	28JUL2009			
		S. CHIEN				
		APVD	28JUL2009		NAME	
		W. KODAMA				
DIMENSIONS: MM		TOLERANCES UNLESS OTHERWISE SPECIFIED:		PRODUCT SPEC		
		0 PLC ± -		108-57394		
		1 PLC ± 0.30		APPLICATION SPEC		
		2 PLC ± 0.20		501-57426		
		3 PLC ± 0.15		SIZE		
		4 PLC ± -		CAGE CODE		
		ANGLES ± 3°		DRAWING NO		
MATERIAL		FINISH		RESTRICTED TO		
SEE NOTE		SEE NOTE		-		
		WEIGHT		A300779		
		SEE TABLE		G=1734385		
		CUSTOMER DRAWING		SCALE - SHEET 1 OF 3 REV C		

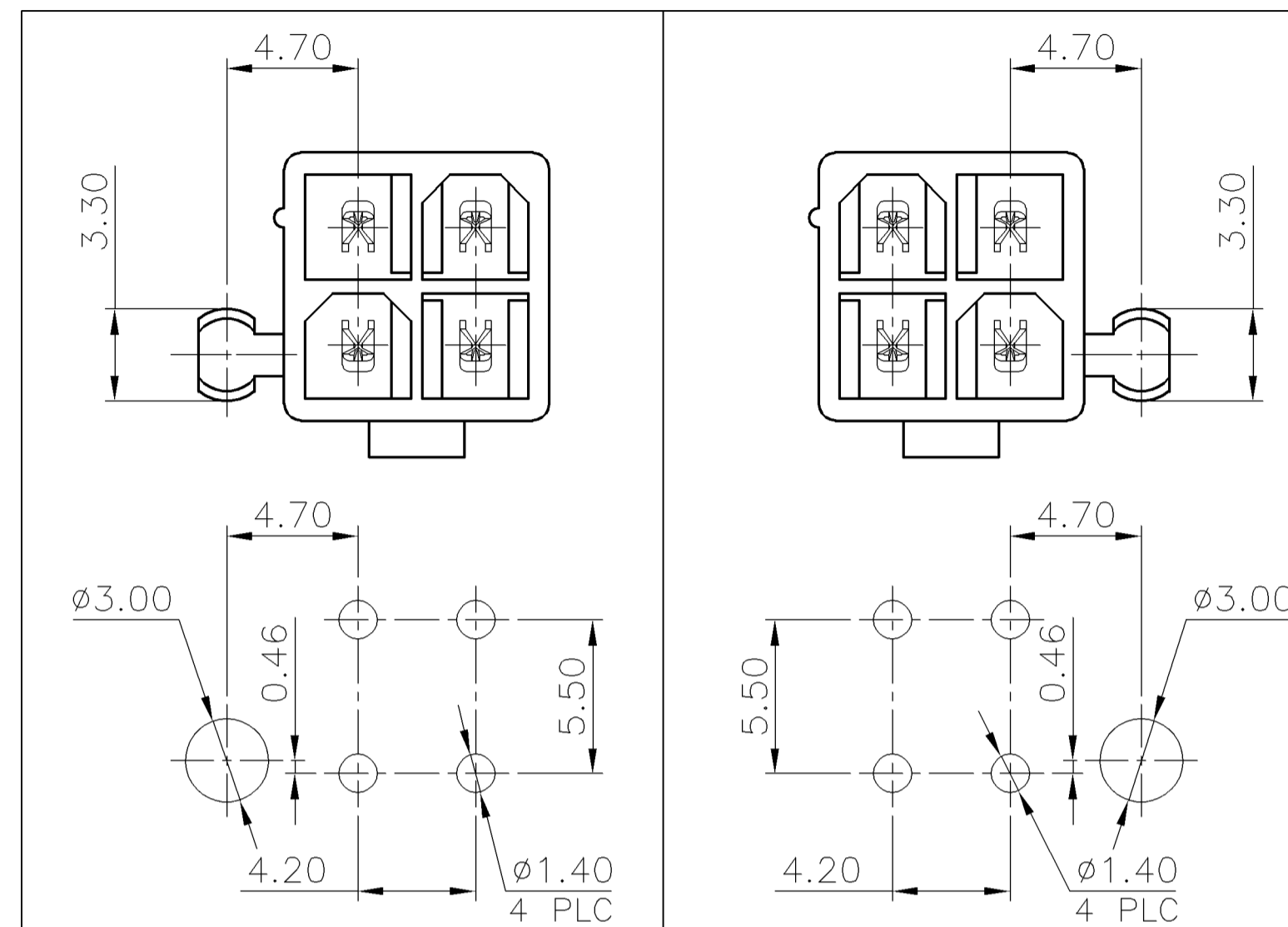
LOC	DIST	REVISIONS					
DW	-	P	LTR	DESCRIPTION	DATE	DWN	APVD
				SEE SHEET 1.			



SECTION A-A

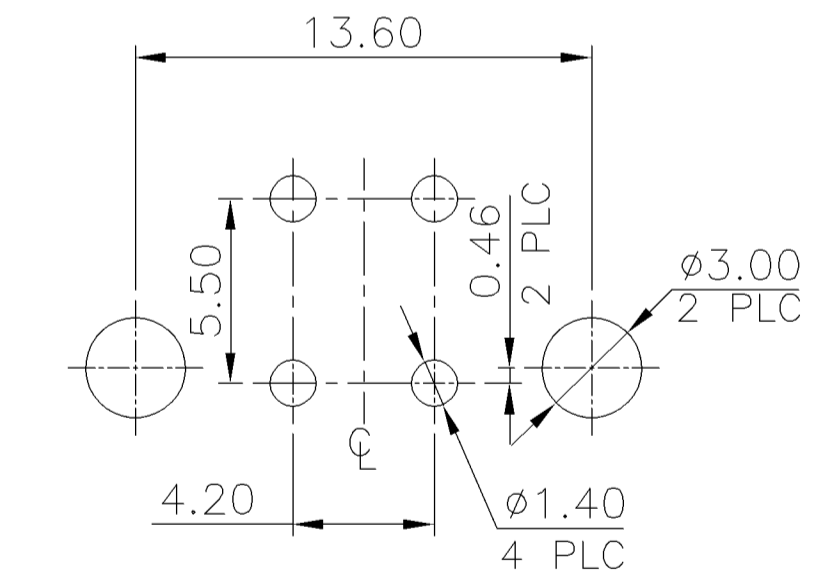


5 ( FOR -3 AND -4 )



5 LEFT BOARDLOCK FOR -5 & -6 5 RIGHT BOARDLOCK FOR -7 & -8

RECOMMENDED PCB LAYOUT(T=1.6MM)



RECOMMENDED PCB LAYOUT(T=1.6MM)

(TOLERANCE: ±0.05)

THIS DRAWING IS A CONTROLLED DOCUMENT.

DIMENSIONS:	TOLERANCES UNLESS OTHERWISE SPECIFIED:
MM	
	0 PLC ± -
	1 PLC ± 0.30
	2 PLC ± 0.20
	3 PLC ± 0.15
	4 PLC ± -
	ANGLES ± 3°

MATERIAL SEE NOTE

FINISH SEE NOTE

DWN	-
CHK	-
APVD	-
PRODUCT SPEC	-
APPLICATION SPEC	-
WEIGHT	SEE TABLE
CUSTOMER DRAWING	

		Tyco Electronics Corporation Taipei, Taiwan	
NAME		ATX POWER CONNECTOR, 4 POSITION,DIP	
SIZE	CAGE CODE	DRAWING NO	RESTRICTED TO
A3	00779	C=1734385	-
SCALE -		SHEET 2 OF 3	REV C