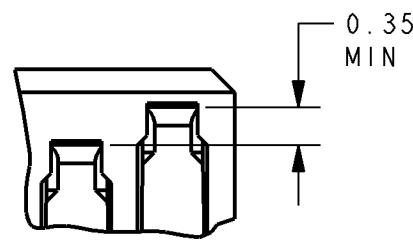
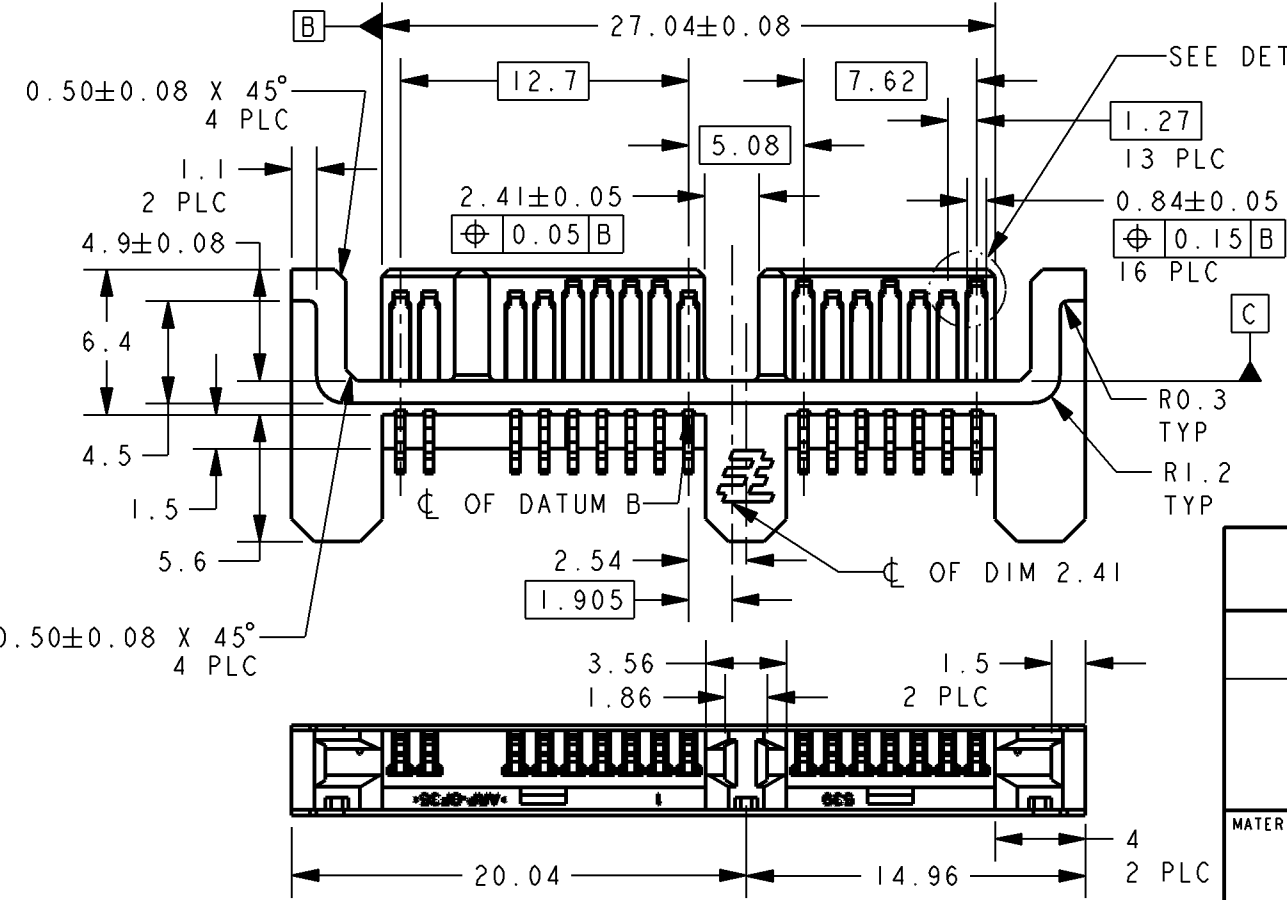
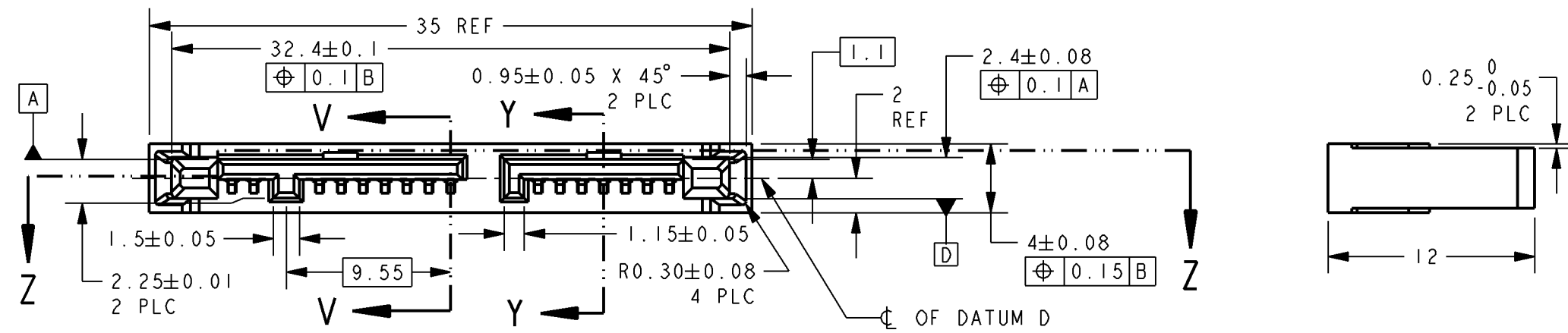
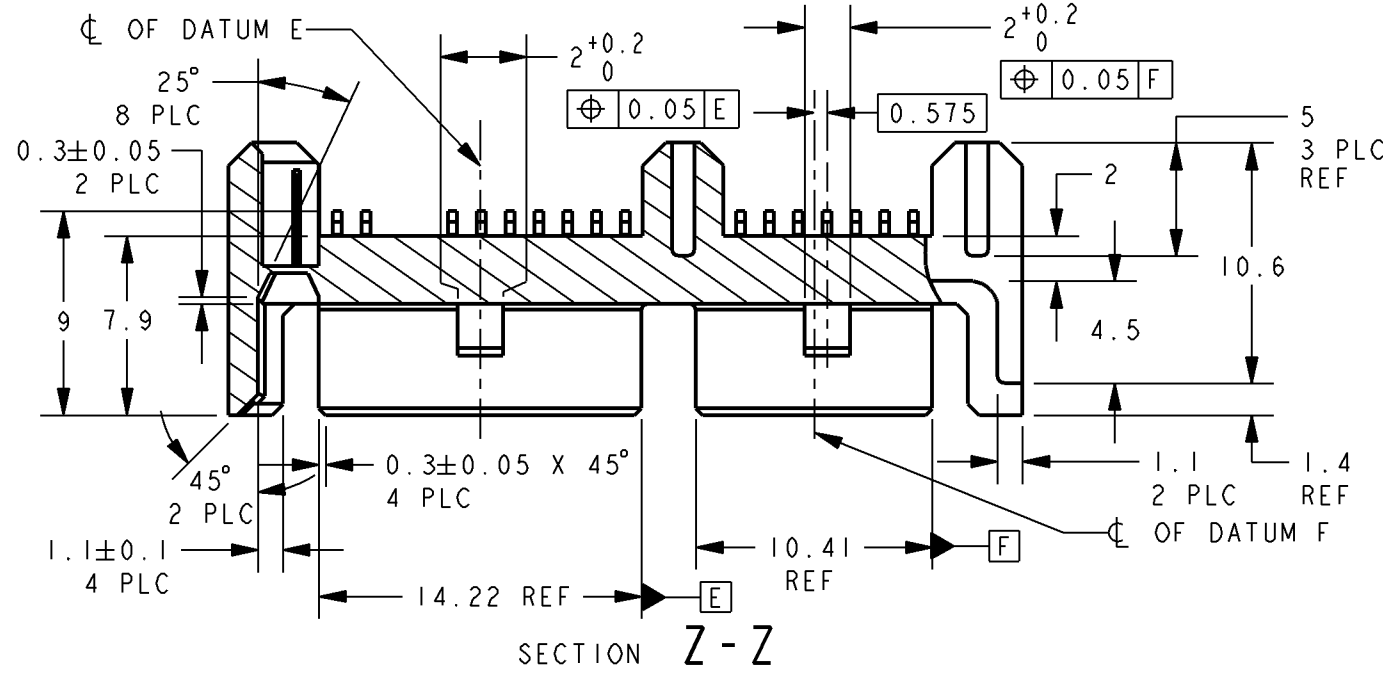


LOC	DIST	REVISIONS					
		P	LTR	DESCRIPTION	DATE	DWN	APVD
DY	-	B		REVISED ECR-09-003504	16FEB2009	JC	LSF

NOTE:

- 1 MATERIAL:
HOUSING: HIGH TEMP THERMOPLASTIC, UL94 V-0, BLACK
CONTACT: COPPER ALLOY
- 2 FINISH:
CONTACT: "A" MIN GOLD PLATING AT MATING AREA
AND "B" PLATING AT SOLDER TAIL AREA (SEE TABLE)
WITH 1.27µm - 2.54µm NICKEL UNDERPLATE ALL OVER.



DETAIL A
SCALE 10:1

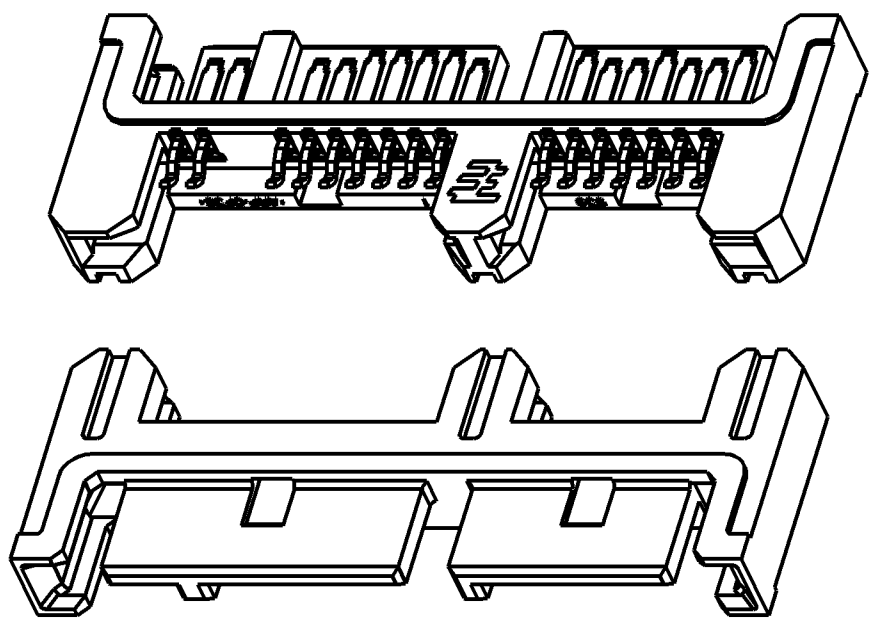
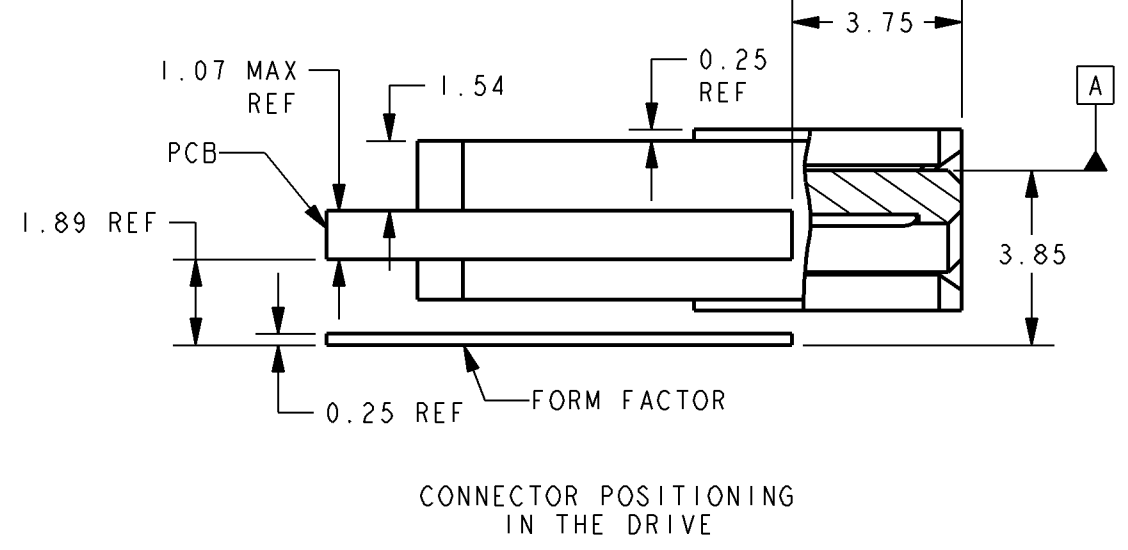
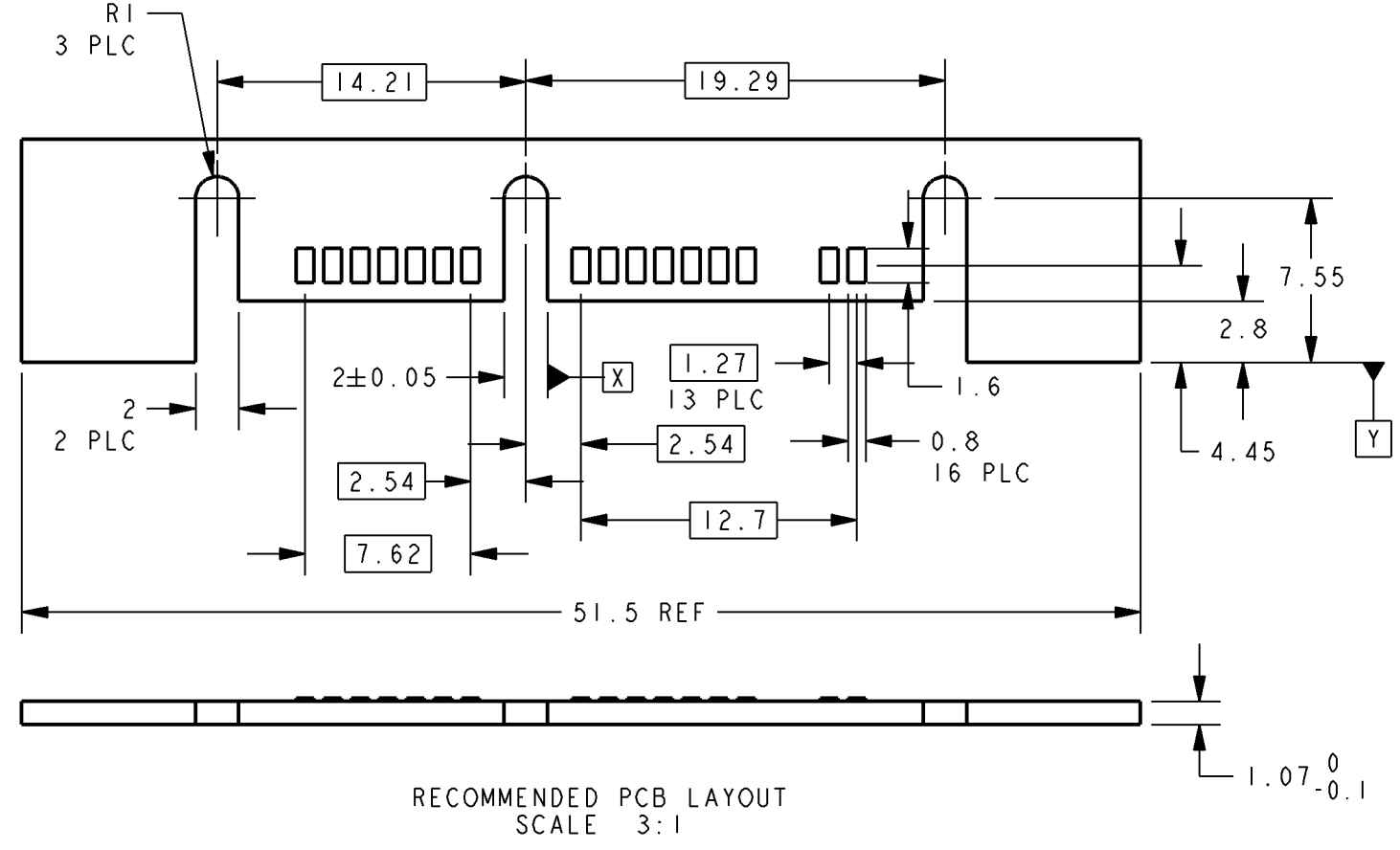
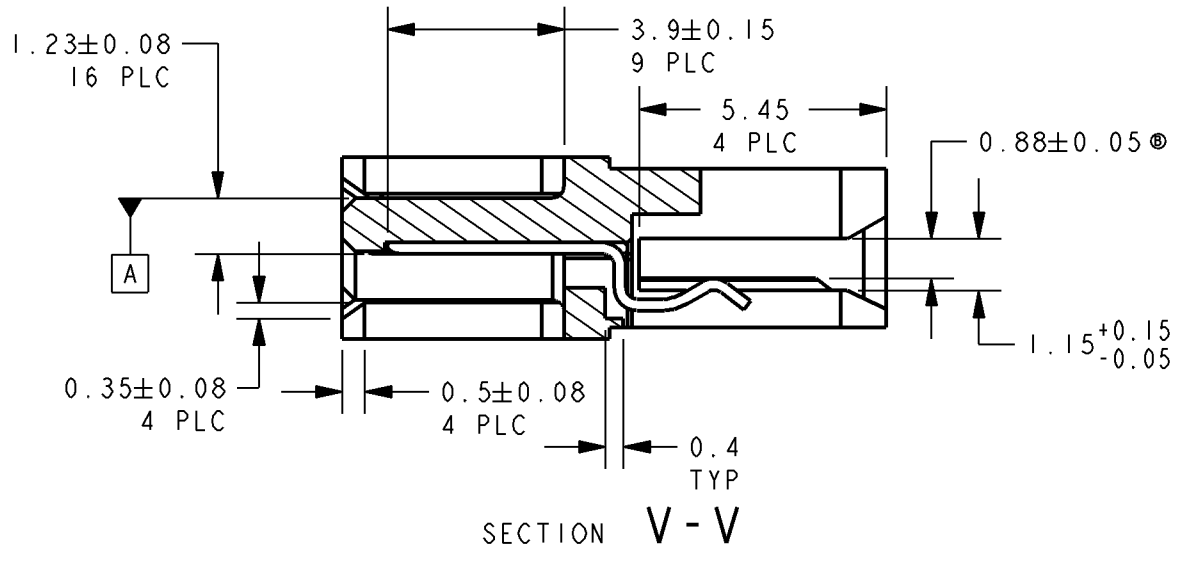
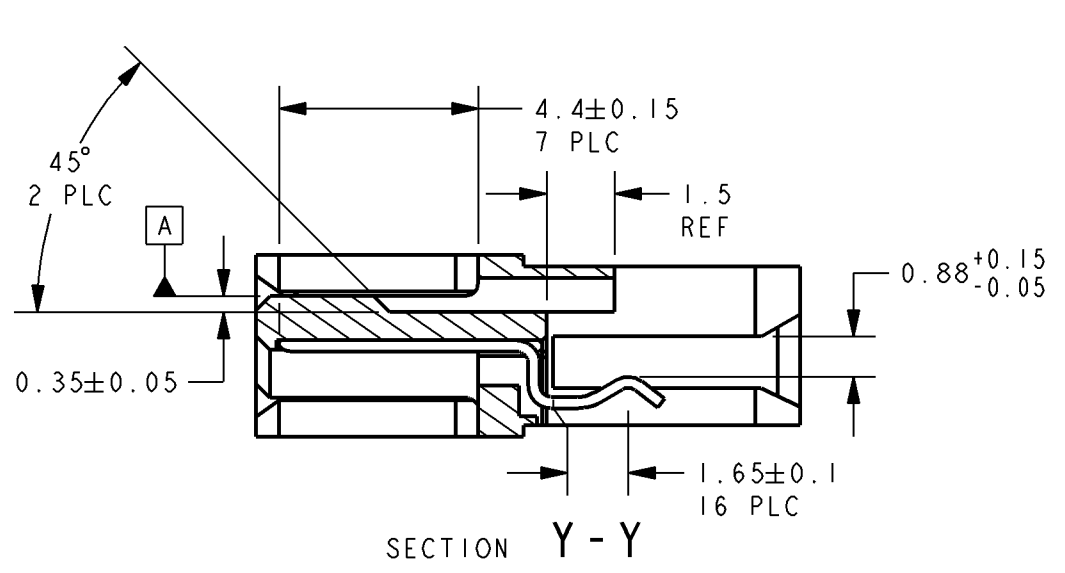
0.76µm	MATTE TIN	1735452-6®
0.38µm	MATTE TIN	1735452-5®
0.05µm	MATTE TIN	1735452-4®
0.76µm	GOLD FLASH	1735452-3
0.38µm	GOLD FLASH	1735452-2
0.05µm	GOLD FLASH	1735452-1
"A"	"B"	PART NO.

THIS DRAWING IS A CONTROLLED DOCUMENT FOR AMP INCORPORATED. IT IS SUBJECT TO CHANGE AND THE CONTROLLING ENGINEERING ORGANIZATION SHOULD BE CONTACTED FOR THE LATEST REVISION.

DIMENSIONS: mm	TOLERANCES UNLESS OTHERWISE SPECIFIED: 0 PLC ±0.20 1 PLC ±0.20 2 PLC ±0.20 3 PLC ±0.20 4 PLC ±0.20 ANGLES ±°	DWN KW YAP 03SEP2007	Tyco Electronics Singapore Pte. Ltd.
MATERIAL	FINISH	CHK SF LEONG APVD SF LEONG PRODUCT SPEC 108-51089 APPLICATION SPEC	
MATERIAL 1 FINISH 2		WEIGHT -	NAME CONNECTOR, MICRO SATA PLUG, 7P+9P STRADDLE MOUNT
CUSTOMER DRAWING		SIZE A3	CAGE CODE 00779
		DRAWING NO C=1735452	SCALE 3:1
		SHEET 1	OF 2
		REV B	

THIS DRAWING IS UNPUBLISHED. RELEASED FOR PUBLICATION .19
 © COPYRIGHT 19 BY AMP INCORPORATED. ALL RIGHTS RESERVED.

LOC	DIST	REVISIONS					
DY	-	P	LTR	DESCRIPTION	DATE	DWN	APVD
				SEE SHEET 1			



THIS DRAWING IS A CONTROLLED DOCUMENT FOR AMP INCORPORATED. IT IS SUBJECT TO CHANGE AND THE CONTROLLING ENGINEERING ORGANIZATION SHOULD BE CONTACTED FOR THE LATEST REVISION.		DWN KW YAP 03SEP2007	Tyco Electronics Singapore Pte. Ltd.	
DIMENSIONS: mm	TOLERANCES UNLESS OTHERWISE SPECIFIED:	CHK SF LEONG	NAME	
	0 PLC ±0.20 1 PLC ±0.20 2 PLC ±0.20 3 PLC ±0.20 4 PLC ±0.20 ANGLES ±°	APVD SF LEONG	CONNECTOR, MICRO SATA PLUG, 7P+9P STRADDLE MOUNT	
MATERIAL	FINISH	PRODUCT SPEC 108-51089	SIZE A3	CAGE CODE 00779
		APPLICATION SPEC -	DRAWING NO C=1735452	
		WEIGHT -	SCALE 2:1	SHEET 2 OF 2
		CUSTOMER DRAWING		REV B