

4

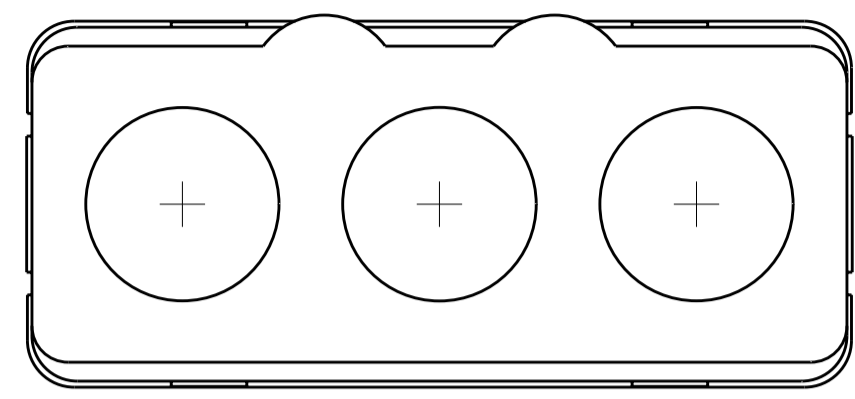
3

2

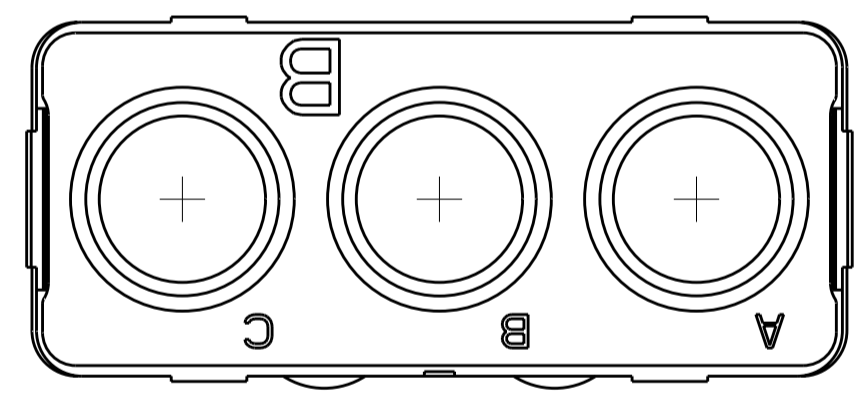
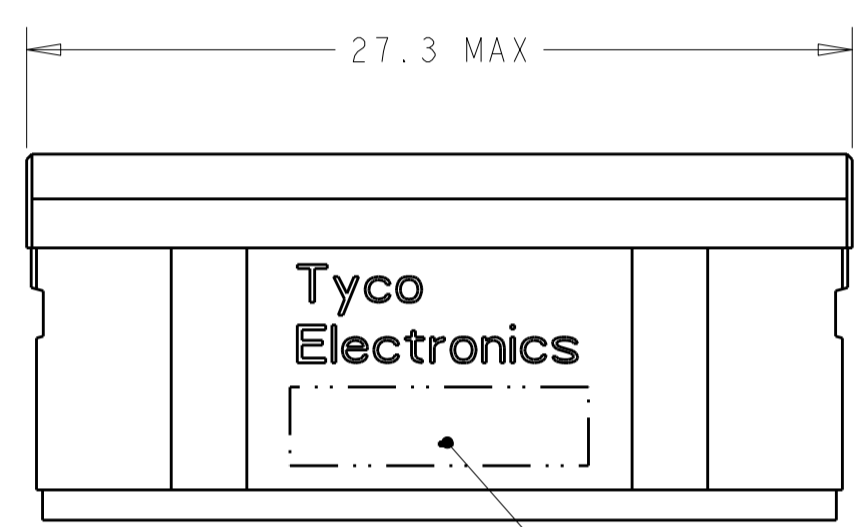
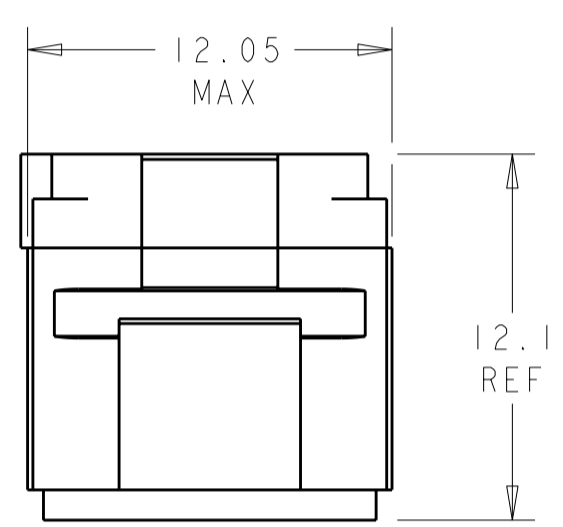
1

THIS DRAWING IS UNPUBLISHED. RELEASED FOR PUBLICATION  
 © COPYRIGHT BY ALL RIGHTS RESERVED.

LOC		DIST		REVISIONS			
P	LTR	DESCRIPTION	DATE	DWN	APVD		
	B	REV PER ECO 11-024114	12-2-11	CT	MS		



MATING FACE



- 1 FRONT & REAR INSULATOR: HIGH-TEMP THERMOPLASTIC OR THERMOSET EPOXY PER ASTM D5948.  
CONTACT RETENTION CLIPS: STAINLESS STEEL PER AISI 302 OR COPPER ALLOY PER ASTM B194
- 2 TE PART NO. AND DATE CODE: YEAR & WEEK (YY WW)
- 3. DESCRIPTIVE PART NUMBER GPRBNC3PB  
THIS INSERT CONTAINS: 3 CAVITIES FOR SIZE 5 PIN COAX CONTACTS
- 4. THIS PRODUCT IS SOLD BY TYCO ELECTRONICS UNDER A LICENSE FROM RADIAL SA.

1738093-1  
PART NUMBER

THIS DRAWING IS A CONTROLLED DOCUMENT.		DWN	BH	06MAY10	 TE Connectivity
		CHK	JPM	06MAY10	
		APVD	JPM	06MAY10	
		PRODUCT SPEC	-	-	
DIMENSIONS:		TOLERANCES UNLESS OTHERWISE SPECIFIED:		NAME	
mm		0 PLC ±-		INSERT ASSEMBLY, PIN, NON-ENVIRONMENTAL ARRANGEMENT C3, KEY B, GPRB	
		1 PLC ±0.1		SIZE	
		2 PLC ±0.05		CAGE CODE	
		3 PLC ±-		DRAWING NO	
		4 PLC ±-		RESTRICTED TO	
		ANGLES ±-		A200779	
		FINISH ±1		C-1738093	
MATERIAL		WEIGHT		SCALE	
1		-		4:1	
		CUSTOMER DRAWING		SHEET 1 OF 1	
				REV B	