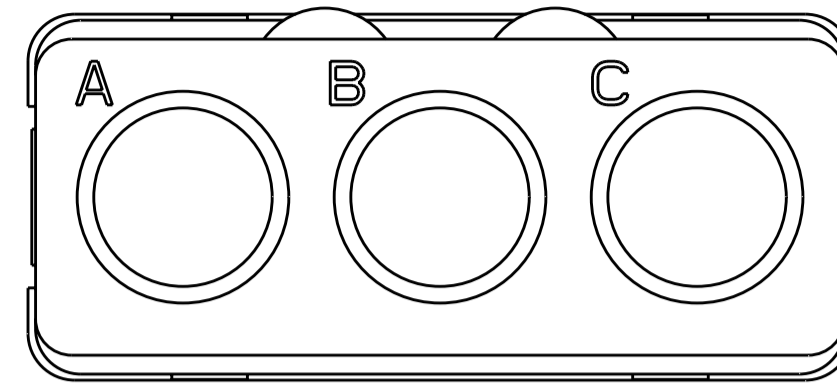
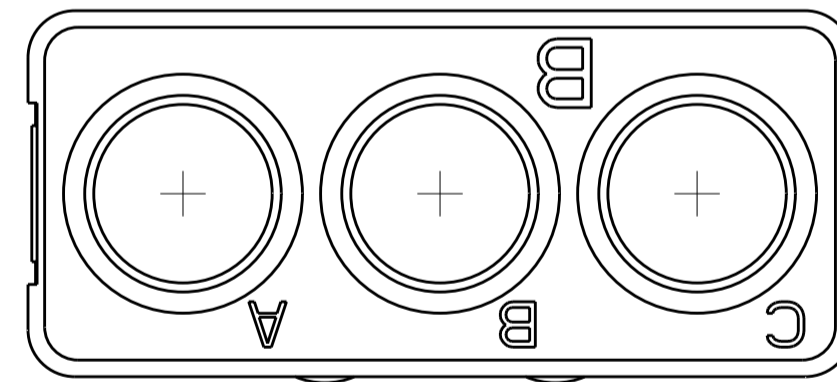
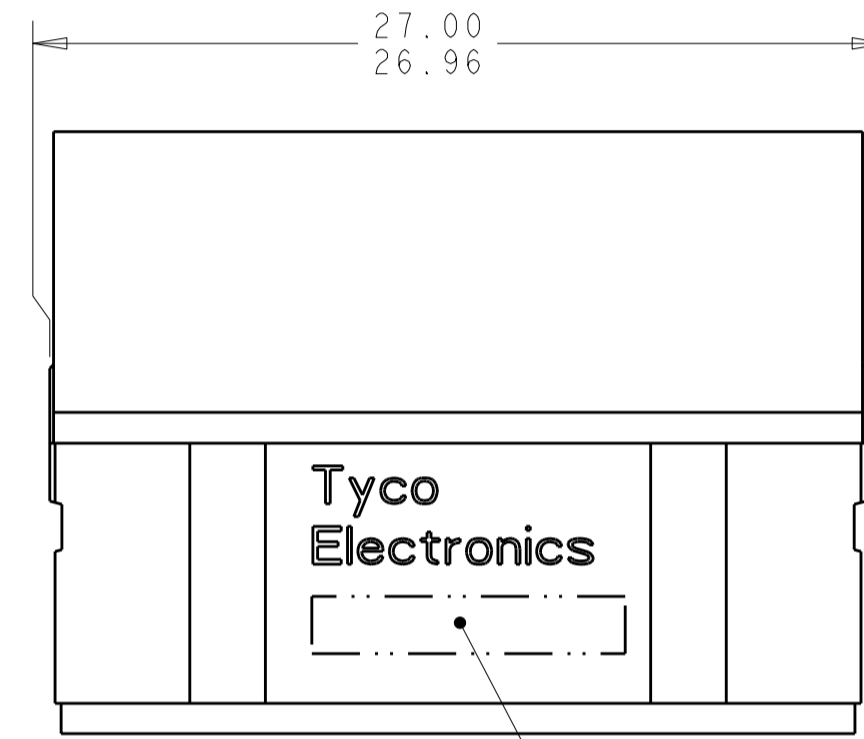
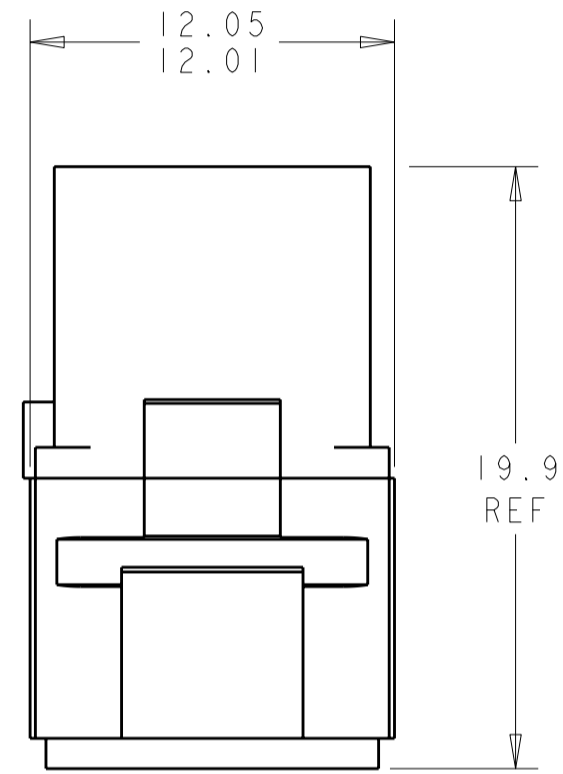


THIS DRAWING IS UNPUBLISHED. RELEASED FOR PUBLICATION
 © COPYRIGHT BY ALL RIGHTS RESERVED.

LOC		DIST		REVISIONS			
P	LTR	DESCRIPTION	DATE	DWN	APVD		
	B	REV PER ECO 11-024114	12-2-11	CT	MS		



MATING FACE



1 FRONT & REAR INSULATOR: HIGH-TEMP THERMOPLASTIC OR THERMOSET EPOXY PER ASTM D5948.
 CONTACT RETENTION CLIPS: STAINLESS STEEL PER AISI 302 OR COPPER ALLOY PER ASTM B194

2 TE PART NO. AND DATE CODE: YEAR & WEEK (YY WW)

3. DESCRIPTIVE PART NUMBER GPRBNC3SB
 THIS INSERT CONTAINS: 3 CAVITIES FOR SIZE 5 SOCKET COAX CONTACTS

4. THIS PRODUCT IS SOLD BY TYCO ELECTRONICS UNDER A LICENSE FROM RADIALL SA.

1738095-1
 PART NUMBER

THIS DRAWING IS A CONTROLLED DOCUMENT.		DWN C.C. THOMAS 10-28-10	TE Connectivity	
DIMENSIONS: mm		CHK K. HOGAN 10-28-10		
TOLERANCES UNLESS OTHERWISE SPECIFIED:		APVD K. HOGAN 10-28-10	NAME INSERT ASSEMBLY, SOCKET, NON-ENVIRONMENTAL ARRANGEMENT C3, KEY B, GPRB	
0 PLC ± 1 PLC ±0.1 2 PLC ±0.05 3 PLC ± 4 PLC ± ANGLES ±1 FINISH		PRODUCT SPEC -	SIZE A200779	
MATERIAL 1		APPLICATION SPEC -	DRAWING NO C-1738095	
		WEIGHT -	RESTRICTED TO -	
		CUSTOMER DRAWING	SCALE 4:1 SHEET 1 OF 1 REV B	