

4

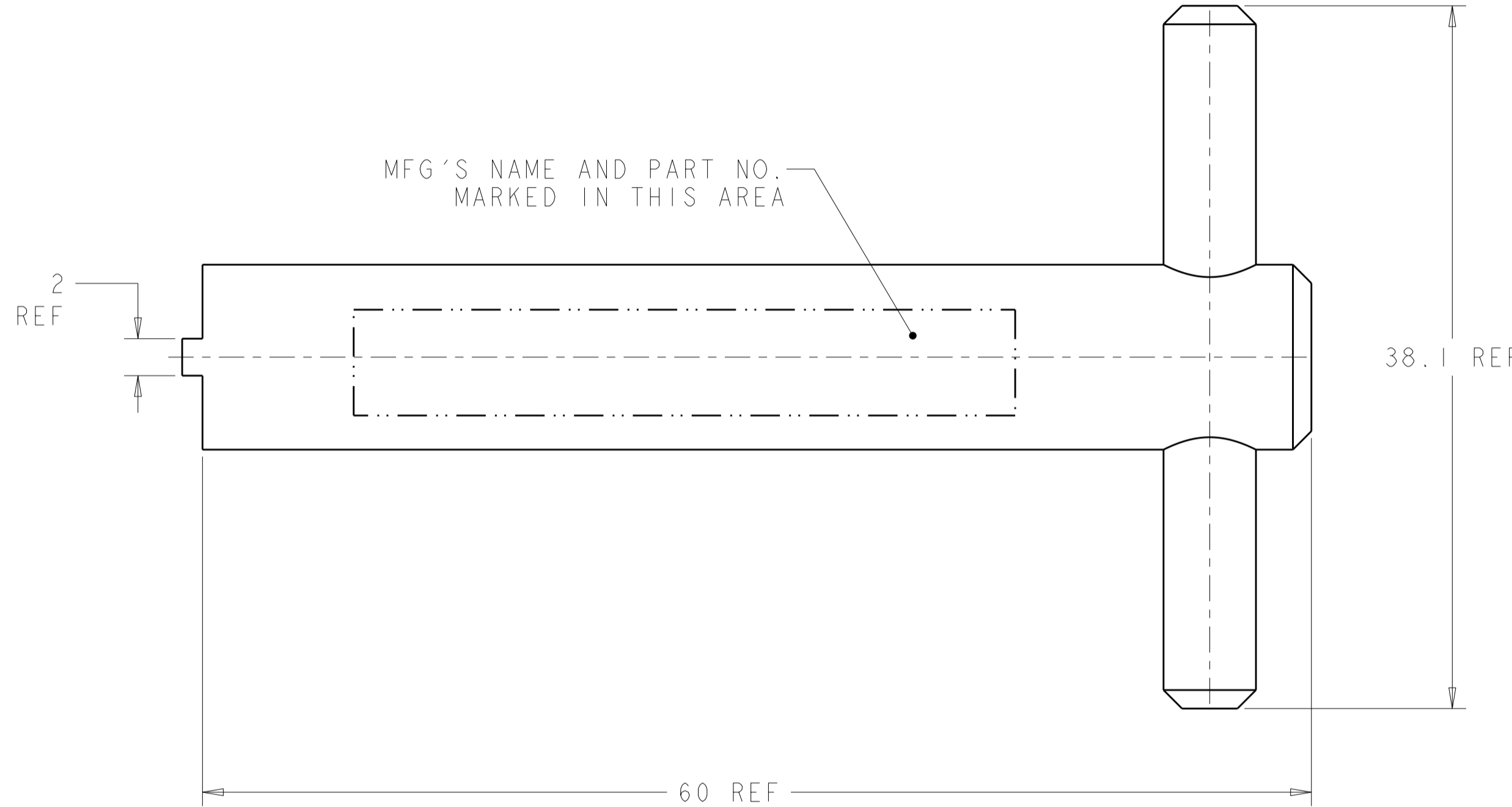
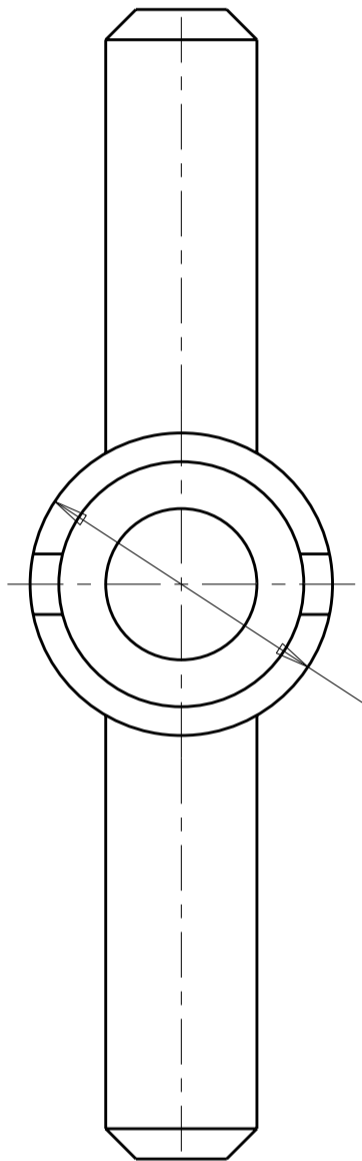
3

2

1

THIS DRAWING IS UNPUBLISHED. RELEASED FOR PUBLICATION
 © COPYRIGHT BY TYCO ELECTRONICS CORPORATION. ALL RIGHTS RESERVED.

LOC		DIST		REVISIONS			
P	LTR	DESCRIPTION	DATE	DWN	APVD		
-	-	A	RELEASED PER ECO 10-026167	1-23-11	CT	BW	



- MAT'L: STAINLESS STEEL.
- THIS PRODUCT IS SOLD BY TYCO ELECTRONICS UNDER A LICENSE FROM RADIAL SA.

1738221-1
 PART NUMBER

THIS DRAWING IS A CONTROLLED DOCUMENT FOR TYCO ELECTRONICS CORPORATION. IT IS SUBJECT TO CHANGE AND THE CONTROLLING ENGINEERING ORGANIZATION SHOULD BE CONTACTED FOR THE LATEST REVISION.		DWN	CJV	03NOV2005	Tyco Electronics Harrisburg, PA 17105-3608	
DIMENSIONS:		CHK	JPM	03NOV2005		
mm		APVD	JPM	03NOV2005		
TOLERANCES UNLESS OTHERWISE SPECIFIED:		PRODUCT SPEC			NAME	SPIGOT WRENCH FOR LOCKING DEVICE
0 PLC ±		APPLICATION SPEC			SIZE	-
1 PLC ±0.5		WEIGHT			CAGE CODE	A200779
2 PLC ±0.13		CUSTOMER DRAWING			DRAWING NO	1738221
3 PLC ±0.013		SCALE			4:1	SHEET
4 PLC ±0.0001		SHEET			OF	1
ANGLES ±		REV			A	
FINISH		RESTRICTED TO				